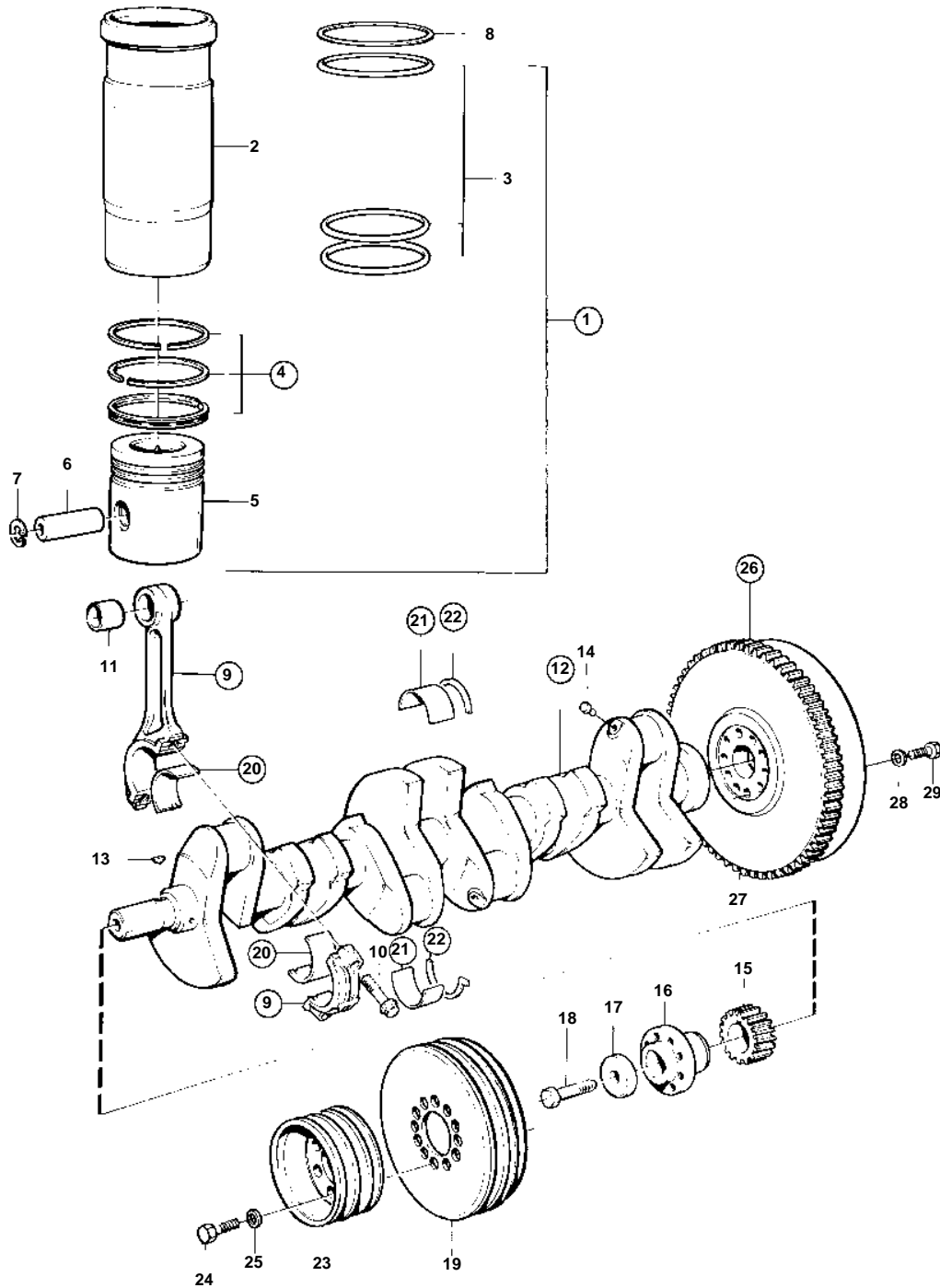


TAD1032GE



15200

## TAD1032GE

REF	PART NO.	QTY	DESCRIPTION	SEE SEC.	NOTES
1	877412	6	Cylinder liner kit		
2		6	Cylinder liner		
3	271157	6	Sealing ring kit		
4	877411	6	Piston ring kit		
5		6	Piston		
6	8194586	6	Piston pin		
7	914529	12	Lock ring		
8	422619	X	Shim		TH=0,20mm
	422620	X	Shim		TH = 0,30mm
	422621	X	Shim		TH = 0,50mm
9	8194037	6	Connecting rod		
10	1545479	12	· Screw		
11	8194039	6	· Bushing		
12	3826010	1	Crankshaft		SN2100280597-
13	422253	1	· Woodruff key		
14	978130	6	· Plug		
15	423080	1	Crankshaft gear		INCL IN 3826010
			Bulletin 45-01	45-01-EN	Timing Gears, 71, 100, 121
16	424958	1	Hub		
17	422124	1	Washer		
18	941494	1	Screw		
19	865830	1	Pulley		
20	270124	6	Big end bearing kit		STD D
	270125	6	Big end bearing kit		U.S=0,25mm
	270126	6	Big end bearing kit		U.S=0,50mm
		6	Big end bearing kit		U.S=0,75mm
	270128	6	Big end bearing kit		U.S=1,00mm
	270129	6	Big end bearing kit		U.S=1,25mm
21	270438	7	Main bearing kit		STD D
	270439	7	Main bearing kit		U.S=0,25mm
	270440	7	Main bearing kit		U.S=0,50mm
	270441	7	Main bearing kit		U.S=0,75mm
	270442	7	Main bearing kit		U.S=1,00mm
	270443	7	Main bearing kit		U.S=1,25mm
22	276758	1	Thrust washer kit		STD D
	276759	1	Thrust washer kit		O.S=0,10mm
	276760	1	Thrust washer kit		O.S=0,20mm
	276761	1	Thrust washer kit		0,30mm OVER SIZE
23	468187	1	Pulley		HC50x3 GROOVES
24	955549	6	Screw, 7/16UNCx45mm		FOR 468187
25	941909	6	Spring washer		FOR 468187
26	864997	1	Flywheel, 14 hole		
27	420794	1	· Gear ring		
28	467773	14	Washer, 14 hole for flywheel		
29	478717	10	Screw, 14 hole for flywheel		