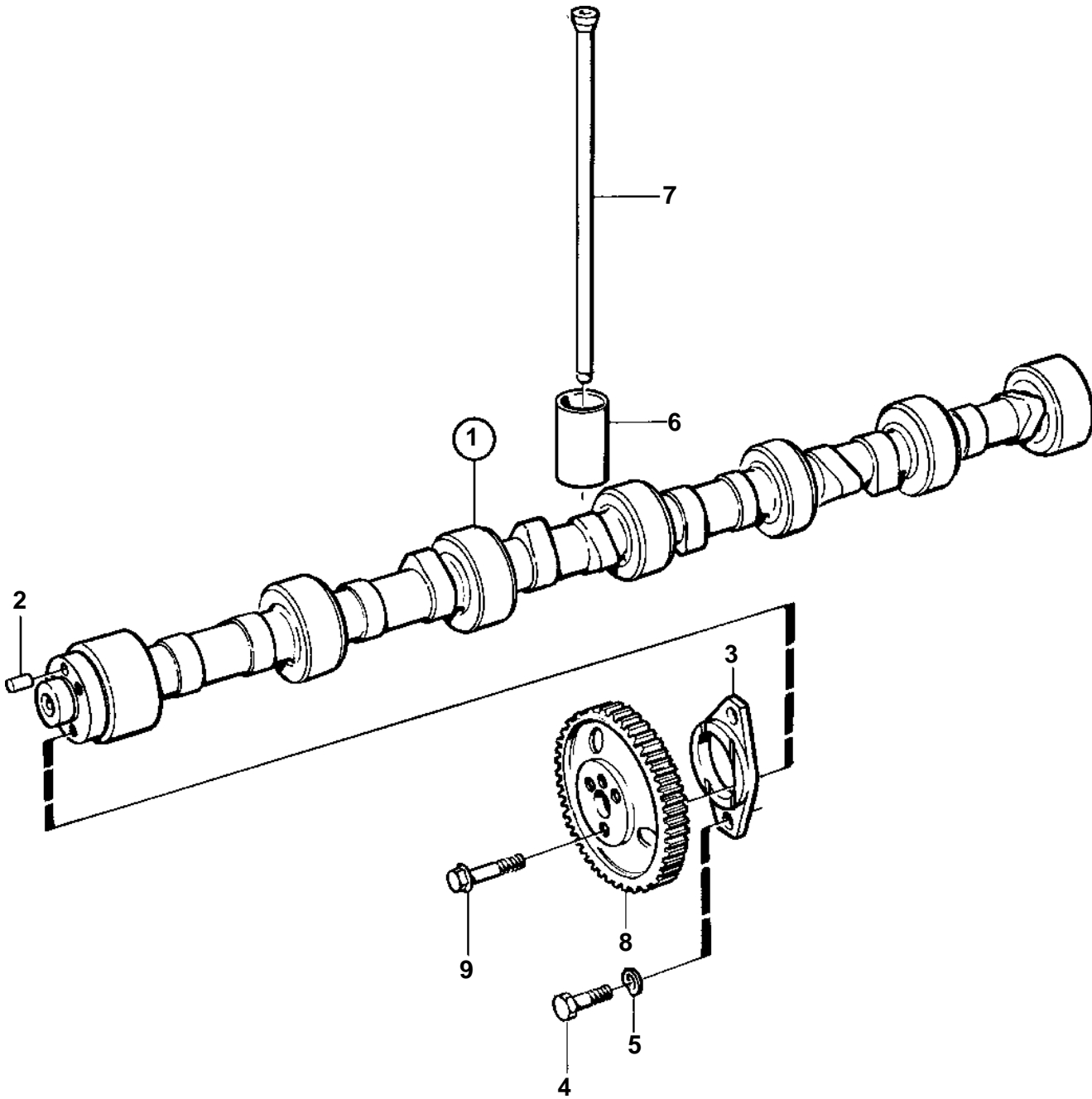


TAD1030GE, TAD1031GE, TAD1032GE



15012

TAD1030GE, TAD1031GE, TAD1032GE

REF	PART NO.	QTY	DESCRIPTION	SEE SEC.	NOTES
1	1545071	1	Camshaft		REPL BY 479450
	8194480	1	Camshaft		(479450)
2	950588	1	• Pin		
3	465789	1	Flange		(469324)
4	940115	2	Screw		
5	942336	2	Spring washer		
6	479863	12	Lifter		(479031)
7	467820	12	Push rod		
8	478297	1	Gear, nitrocarburized		
			• Bulletin 45-01	45-01-EN	Timing Gears, 71, 100, 121
9	940128	3	Screw		FOR 1545071
	471555	3	Screw		FOR 8194480