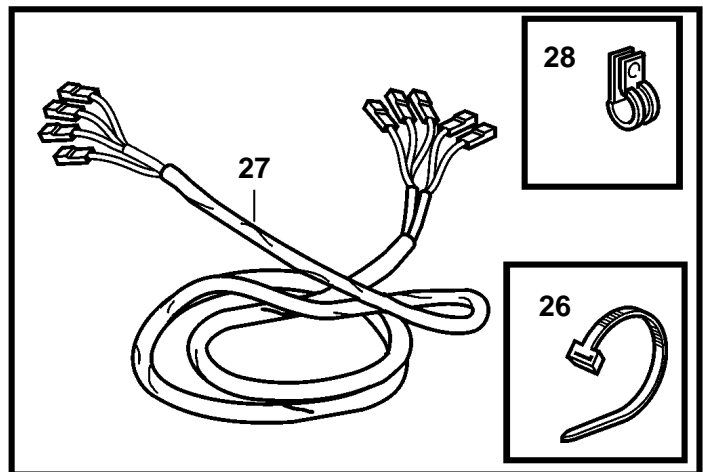
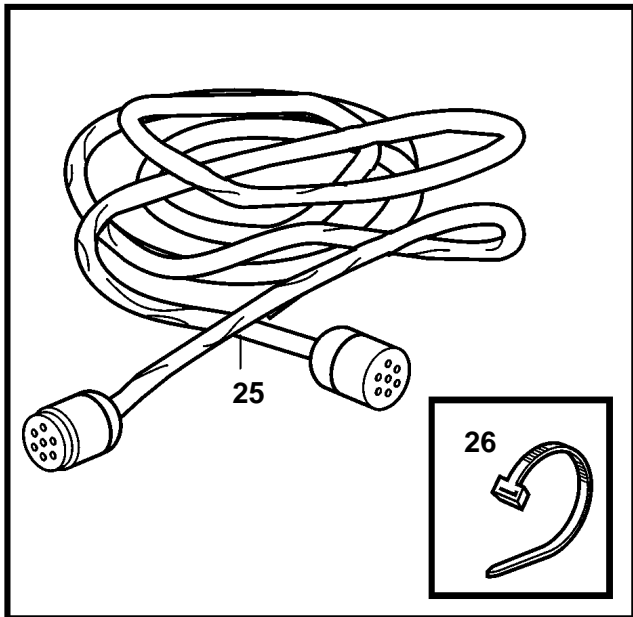
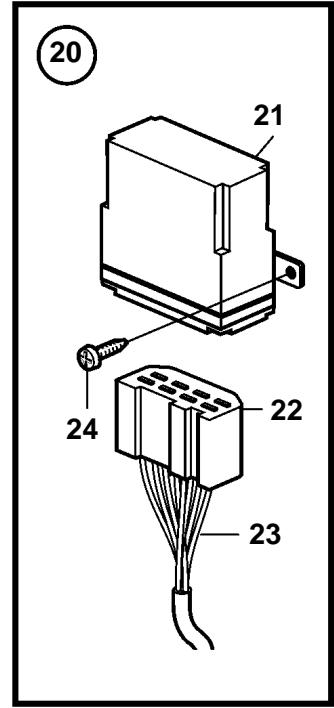
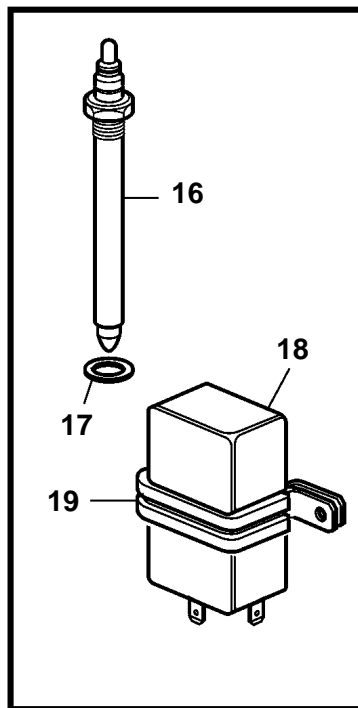
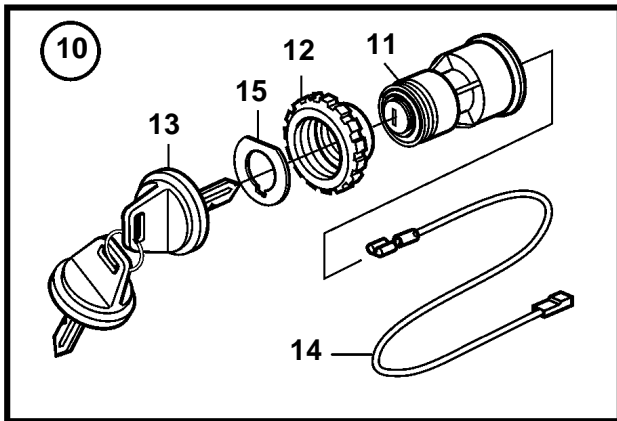
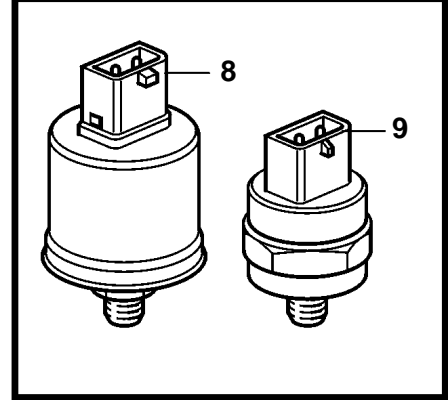
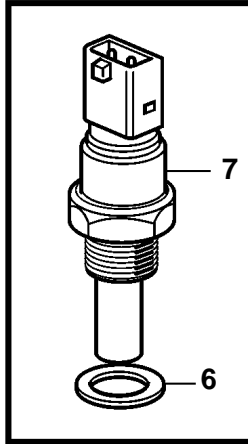
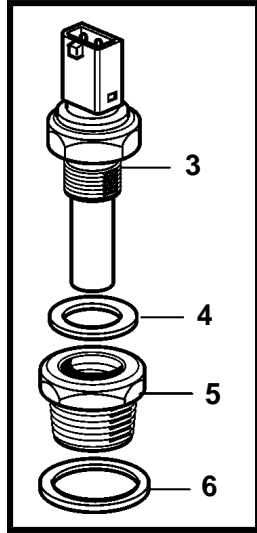
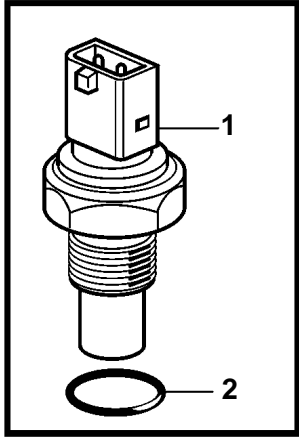


TAD1030GE, TAD1031GE, TAD1032GE



TAD1030GE, TAD1031GE, TAD1032GE

REF	PART NO.	QTY	DESCRIPTION	SEE SEC.	NOTES
1	862289	1	Sender, rpm		
2	949656	1	O-ring		
3	862627	1	Temperature sensor, oil		MAX 150°C
4	949329	1	Gasket		
5	863312	1	Adapter		
6	947624	1	Gasket		
7	862154	1	Temperature sensor, coolant water temp.		MAX 120°C
	862250	1	Thermo monitor, coolant water temp.		97°C
	848829	1	Temperature sensor, coolant water temp.		103°C
8	866835	1	Pressure sensor, oil-engine		0-10bar (862155)
			· Bulletin P-38-6-1	P-38-6-1-EN	Vibration Damping Kit
9	863169	1	Pressure monitor, oil pressure		0,7bar
10	3587072	1	Starter switch		(864277)
11		1	· Starter switch		
12	859955	1	· Plastic nut		
13	859953	1	· Key		State key code when ordering.
			· Bulletin 49-30	49-30-EN	Key P/N 859953
14		1	· Diode cable		
15	860086	1	· Marking label		
16	1581232	1	Level indicator		L=50mm
17	11994	1	Gasket		
18	1622515	1	Level relay		
19	941772	1	Clamp		
20	872613	1	Timer relay kit		
21	874100	1	· Timer relay		
22	944076	1	· Receptacle housing		
23		X	· Electrical materials	1963	
24		X	Screw		
25	863867	X	Cable trunk		L=2500mm
	863868	X	Cable trunk		L=8000mm
26	948211	X	Strip clamp		
27	866894	1	Wiring harness		
28	949747	1	Clamp		