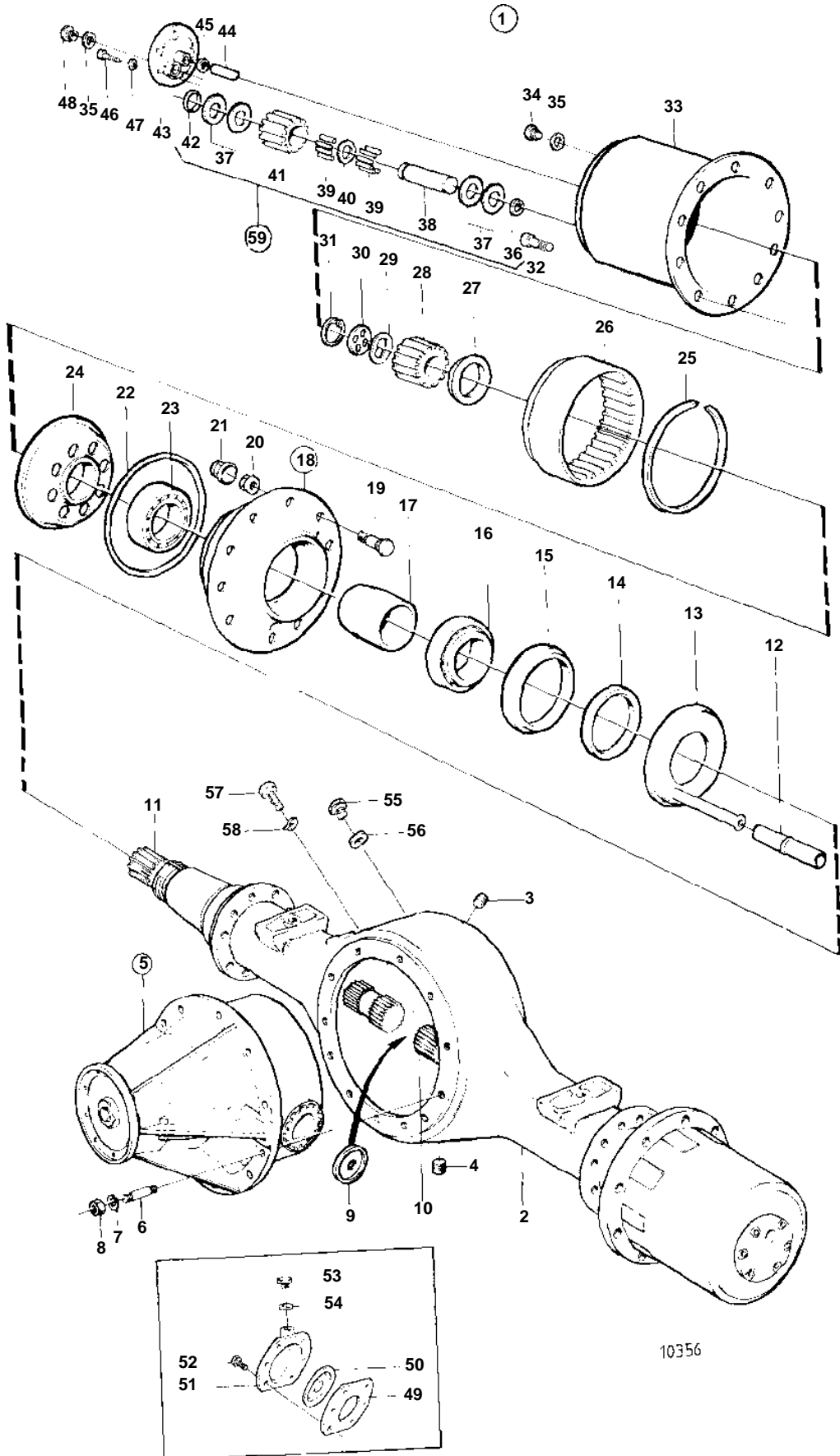


RAN480



10356

RAN480

| REF | PART NO. | QTY | DESCRIPTION | SEE SEC. | NOTES |
|-----|----------|-----|------------------------|----------|---|
| 1 | 1525627 | 1 | , TRACK-WIDTH1820MM | | RATIO 16,85:1 |
| 2 | 1523673 | 1 | · Axle casing | | CYLINDRICAL STEERING. |
| 3 | 1524292 | 1 | · Plug | | |
| 4 | 1524292 | 1 | · Plug | | |
| 5 | 1523577 | 1 | · Differential carrier | 04F-1760 | RATIO 4,87:1. CYLINDRICAL STEERING. |
| 6 | 1522889 | 2 | · Stud | | L = 60 MM |
| | 1522890 | 2 | · Stud | | L = 70 MM |
| | 191636 | 8 | · Stud | | L = 82 MM |
| 7 | 941912 | 12 | · Spring washer | | |
| 8 | 961126 | 12 | · Nut | | |
| 9 | 854358 | 2 | · Ring | | |
| 10 | 1523088 | 1 | · Axle shaft | | V, 2-SPLINES L=1077 MM |
| 11 | 1523089 | 1 | · Axle shaft | | H, 3-SPLINES L=1116 MM |
| 12 | 969015 | X | · Hose | | |
| 13 | 1523482 | 2 | · Oil catcher | | |
| 14 | 1672283 | 2 | · Wear ring | | *OLDER SEALING RING 1522372 AND WEAR RING 1522374 SHOULD BE REPLACED AT THE SAME TIME TO 1672249+1672283. |
| 15 | 1672249 | 2 | · Sealing ring | | *OLDER SEALING RING 1522372 AND WEAR RING 1522374 SHOULD BE REPLACED AT THE SAME TIME TO 1672249+1672283. |
| 16 | 183326 | 2 | · Roller bearing | | |
| 17 | 1523771 | 2 | · Spacer sleeve | | L = 100,225 MM |
| | 1522369 | 2 | · Spacer sleeve | | L = 100,325 MM |
| | 1522370 | 2 | · Spacer sleeve | | L = 100,425 MM |
| | 1522371 | 2 | · Spacer sleeve | | L = 100,525 MM |
| | 1523301 | 2 | · Spacer sleeve | | L = 100,625 MM |
| 18 | 1523475 | 2 | · Hub | | |
| 19 | 1589009 | 20 | · Screw | | L=111MM,D=27,4MM STD D |
| | 1589010 | 20 | · Screw | | L=111MM,D=27,8MM ÖD |
| 20 | 943491 | 20 | · Nut | | |
| 21 | 1586987 | 20 | · Sleeve | | |
| 22 | 948767 | 2 | · O-ring | | |
| 23 | 183351 | 2 | · Roller bearing | | |
| 24 | 1523422 | 2 | · Ring gear carrier | | |
| 25 | 1522392 | 2 | · Snap ring | | |
| 26 | 1522380 | 2 | · Ring | | |
| 27 | 1522384 | 2 | · Nut | | |
| 28 | 1522382 | 2 | · Gear | | |
| 29 | 1522338 | 2 | · Spring washer | | |
| 30 | 1522393 | 2 | · Washer | | |
| 31 | 914532 | 2 | · Snap ring | | |
| 32 | 959238 | 4 | · Screw | | |
| 33 | 1522376 | 2 | · Hub casing | | |
| 34 | 949175 | 2 | · Magnetic plug | | |
| 35 | 957187 | 4 | · Washer | | |
| 36 | 914463 | 8 | · Lock ring | IK | INCLUDED IN GEAR KIT (PLANET GEAR KIT) 273934 |
| 37 | | 16 | · THRUST WASHER | IK | STÅL-STEEL. INCLUDED IN GEAR KIT (PLANET GEAR KIT) 273934 |
| 38 | | 16 | · THRUST WASHER | IK | MÅSSING-BRASS. INCLUDED IN GEAR KIT (PLANET GEAR KIT) 273934 |
| 39 | | 304 | · NEEDLE | IK | INCLUDED IN GEAR KIT (PLANET GEAR KIT) 273934 |
| 40 | | 8 | · SPACER RING | IK | INCLUDED IN GEAR KIT (PLANET GEAR KIT) 273934 |

RAN480

| REF | PART NO. | QTY | DESCRIPTION | SEE SEC. | NOTES |
|-----|----------|-----|-----------------------------|----------|---|
| 41 | | 8 | · PLANET GEAR | IK | INCLUDED IN GEAR KIT (PLANET GEAR KIT) 273934 |
| 42 | 949721 | 8 | · O-ring | IK | INCLUDED IN GEAR KIT (PLANET GEAR KIT) 273934 |
| 43 | 1523742 | 2 | · Cover | | |
| 44 | 1523115 | 2 | · Pin | | L = 55 MM |
| | 1523116 | 2 | · Pin | | L = 60 MM |
| 45 | 955891 | X | · Washer | | |
| 46 | 955294 | 12 | · Screw | | |
| 47 | 941907 | 12 | · Spring washer | | |
| 48 | 946086 | 2 | · Plug | | |
| | | | | | |
| | | | | | |
| | | | | | |
| | | | | | |
| | | | | | |
| | | | | | |
| | | | | | |
| 59 | 273934 | 8 | · Gear set, PLANET GEAR KIT | | |
| | 1668016 | 1 | · , LEFT | 04F-1300 | SN-29285,ERS AV 854613 |
| | 854613 | 1 | · Wheel brake, LEFT | 04F-1300 | SN29286-, ERS AV 1081104 |
| | 1081104 | 1 | · Wheel brake, LEFT | 04F-1300 | |
| | 1668017 | 1 | · , RIGHT | 04F-1300 | SN-29285,ERS AV 854614 |
| | 854614 | 1 | · Wheel brake, RIGHT | 04F-1300 | SN29286-, ERS AV 1081105 |
| | 1081105 | 1 | · Wheel brake, RIGHT | 04F-1300 | |
| | | | | | |
| | | | | | |
| | | | | | |
| | | | | | |

