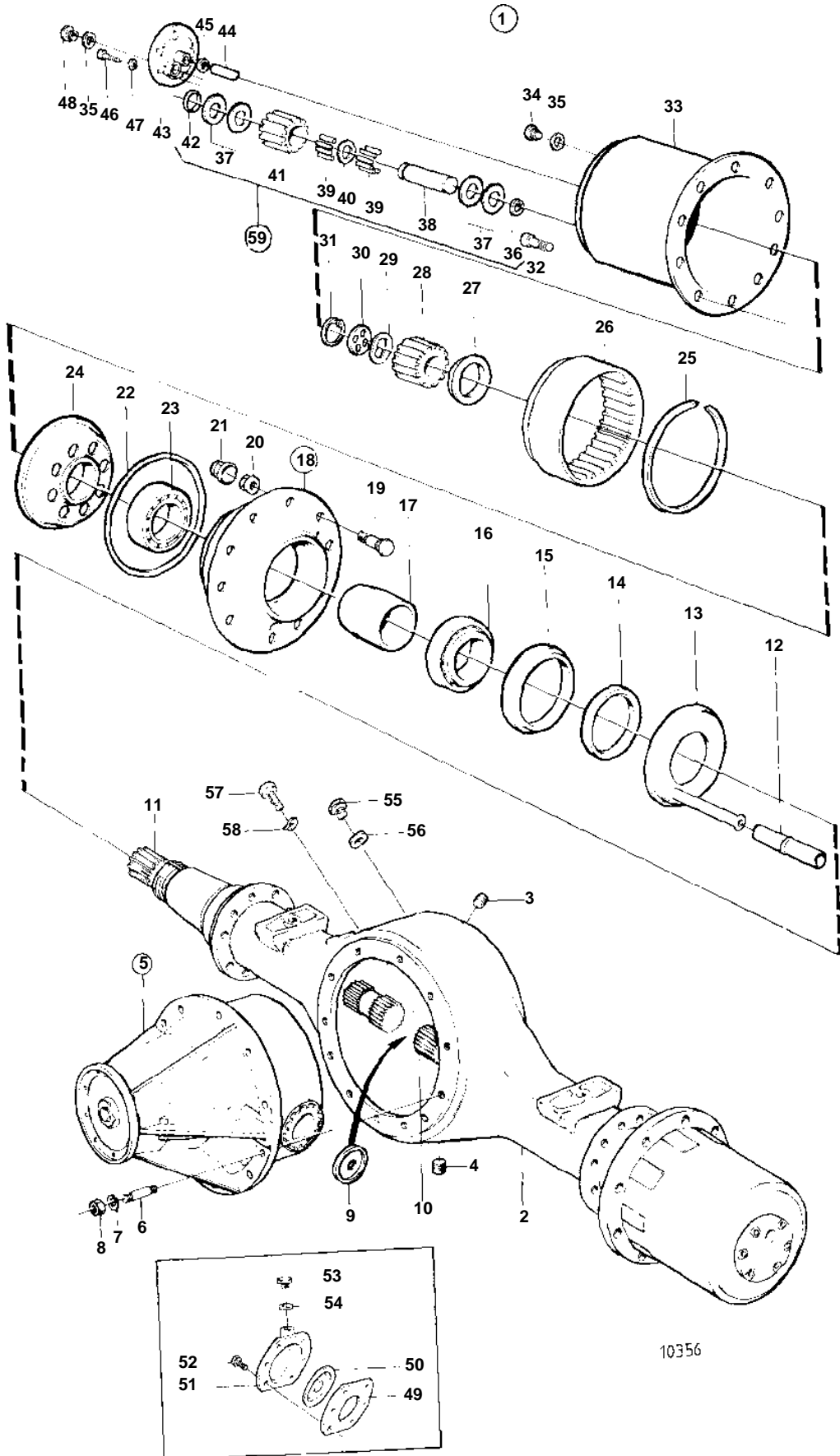


RAN480



RAN480

REF	PART NO.	QTY	DESCRIPTION	SEE SEC.	NOTES
1	1525625	1	, TRACK-WIDTH1820MM		UTV 10,65:1
2	1523673	1	· Axle casing		CYLINDRICAL STEERING.
3	1524292	1	· Plug		
4	1524292	1	· Plug		
5	1523573	1	· Differential carrier	04F-1760	RATIO 3,07:1. CYLINDRICAL STEERING.
6	1522889	2	· Stud		L = 60 MM
	1522890	2	· Stud		L = 70 MM
	191636	8	· Stud		L = 82 MM
7	941912	12	· Spring washer		
8	961126	12	· Nut		
9	854358	2	· Ring		
10	1523088	1	· Axle shaft		V, 2-SPLINES L=1077 MM
11	1523089	1	· Axle shaft		H, 3-SPLINES L=1116 MM
12	969015	X	· Hose		
13	1523482	2	· Oil catcher		
14	1672283	2	· Wear ring		*OLDER SEALING RING 1522372 AND WEAR RING 1522374 SHOULD BE REPLACED AT THE SAME TIME TO 1672249+1672283.
15	1672249	2	· Sealing ring		*OLDER SEALING RING 1522372 AND WEAR RING 1522374 SHOULD BE REPLACED AT THE SAME TIME TO 1672249+1672283.
16	183326	2	· Roller bearing		
17	1523771	2	· Spacer sleeve		L = 100,225 MM
	1522369	2	· Spacer sleeve		L = 100,325 MM
	1522370	2	· Spacer sleeve		L = 100,425 MM
	1522371	2	· Spacer sleeve		L = 100,525 MM
	1523301	2	· Spacer sleeve		L = 100,625 MM
18	1523475	2	· Hub		
19	1589009	20	· Screw		L=111MM,D=27,4MM STD D
	1589010	20	· Screw		L=111MM,D=27,8MM ÖD
20	943491	20	· Nut		
21	1586987	20	· Sleeve		
22	948767	2	· O-ring		
23	183351	2	· Roller bearing		
24	1523422	2	· Ring gear carrier		
25	1522392	2	· Snap ring		
26	1522380	2	· Ring		
27	1522384	2	· Nut		
28	1522382	2	· Gear		
29	1522338	2	· Spring washer		
30	1522393	2	· Washer		
31	914532	2	· Snap ring		
32	959238	4	· Screw		
33	1522376	2	· Hub casing		
34	949175	2	· Magnetic plug		
35	957187	4	· Washer		
36	914463	8	· Lock ring	IK	INCLUDED IN GEAR KIT (PLANET GEAR KIT) 273934
37		16	· THRUST WASHER	IK	STÅL-STEEL. INCLUDED IN GEAR KIT (PLANET GEAR KIT) 273934
38		16	· THRUST WASHER	IK	MÅSSING-BRASS. INCLUDED IN GEAR KIT (PLANET GEAR KIT) 273934
39		304	· NEEDLE	IK	INCLUDED IN GEAR KIT (PLANET GEAR KIT) 273934
40		8	· SPACER RING	IK	INCLUDED IN GEAR KIT (PLANET GEAR KIT) 273934

RAN480

REF	PART NO.	QTY	DESCRIPTION	SEE SEC.	NOTES
41		8	· PLANET GEAR	IK	INCLUDED IN GEAR KIT (PLANET GEAR KIT) 273934
42	949721	8	· O-ring	IK	INCLUDED IN GEAR KIT (PLANET GEAR KIT) 273934
43	1523742	2	· Cover		
44	1523115	2	· Pin		L = 55 MM
	1523116	2	· Pin		L = 60 MM
45	955891	X	· Washer		
46	955294	12	· Screw		
47	941907	12	· Spring washer		
48	946086	2	· Plug		
49	1523085	1	· Diaphragm seat		
50	383972	1	· Diaphragm		
51	1523096	1	· Cover		
52	955271	6	· Screw		
53	960629	1	· Plug		
54	11994	1	· Gasket		
55	383990	1	· Plug		
56	11996	1	· Gasket		
57	955294	2	· Screw		
58	941907	2	· Spring washer		
59	273934	8	· Gear set, PLANET GEAR KIT		
	1668016	1	· , LEFT	04F-1300	SN-29285,ERS AV 854613
	854613	1	· Wheel brake, LEFT	04F-1300	SN29286-, ERS AV 1081104
	1081104	1	· Wheel brake, LEFT	04F-1300	
	1668017	1	· , RIGHT	04F-1300	SN-29285,ERS AV 854614
	854614	1	· Wheel brake, RIGHT	04F-1300	SN29286-, ERS AV 1081105
	1081105	1	· Wheel brake, RIGHT	04F-1300	