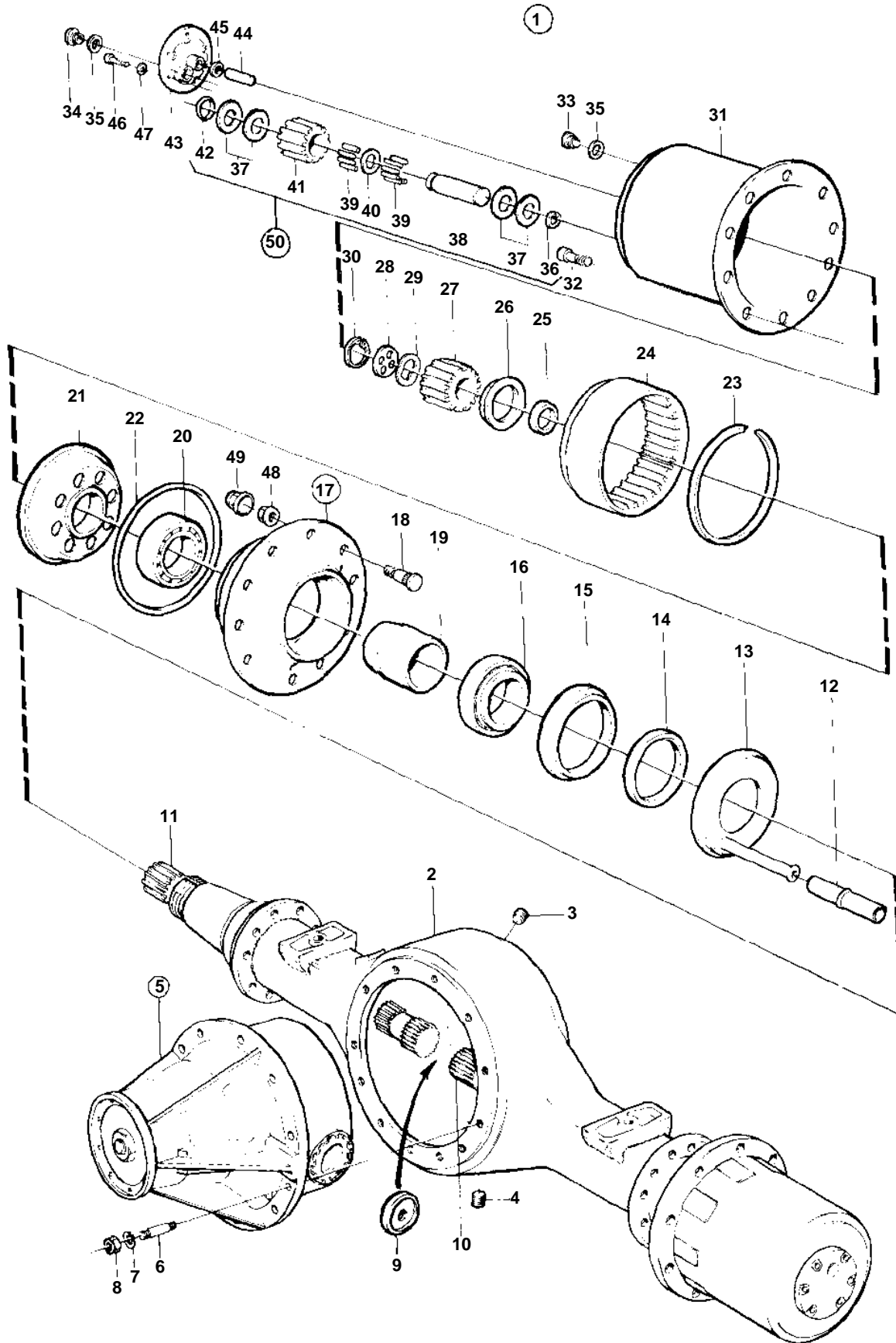


RAN480



10354

RAN480

REF	PART NO.	QTY	DESCRIPTION	SEE SEC.	NOTES
1	1525200	1	, TRACK-WIDTH1820MM		UTV 10,65:1 REPL BY 853500
2	1523091	1	· Axle casing		FOUR POINT STEERING.
3	1524292	1	· Plug		
4	1524292	1	· Plug		
5	1522430	1	· Differential carrier	04F-1650	RATIO 3,07:1. FOUR POINT STEERING.
6	1522985	2	· Stud		L = 60 MM
	1522986	3	· Stud		L = 70 MM
	191636	7	· Stud		L = 82 MM
7	941912	12	· Spring washer		
8	961126	12	· Nut		
9	854358	2	· Ring		
10	1523088	1	· Axle shaft		V, 2-SPLINES L=1077 MM
11	1523089	1	· Axle shaft		H, 3-SPLINES L=1116 MM
12	969015	X	· Hose		
13	1523482	2	· Oil catcher		
14	1672283	2	· Wear ring		*OLDER SEALING RING 1522372 AND WEAR RING 1522374 SHOULD BE REPLACED AT THE SAME TIME TO 1672249+1672283.
15	1672249	2	· Sealing ring		*OLDER SEALING RING 1522372 AND WEAR RING 1522374 SHOULD BE REPLACED AT THE SAME TIME TO 1672249+1672283.
16	183326	2	· Roller bearing		
17	1523475	2	· Hub		
18	1589009	20	· Screw		L=111MM,D=27,4MM STD D
	1589010	20	· Screw		L=111MM,D=27,8MM ÖD
19	1522369	2	· Spacer sleeve		L = 100,325 MM
	1522370	2	· Spacer sleeve		L = 100,425 MM
	1522371	2	· Spacer sleeve		L = 100,525 MM
20	183351	2	· Roller bearing		
21	1523422	2	· Ring gear carrier		
22	948767	2	· O-ring		
23	1522392	2	· Snap ring		
24	1522380	2	· Ring		
25	1522373	2	· Sealing ring		
26	1522384	2	· Nut		
27	1522382	2	· Gear		
28	1522393	2	· Washer		
29	1522338	2	· Spring washer		
30	914532	2	· Snap ring		
31	1522375	2	· Hub casing		
32	959238	4	· Screw		
33	949175	2	· Magnetic plug		
34	946086	2	· Plug		
35	957187	4	· Washer		
36	914463	6	· Lock ring	IK	INCLUDED IN GEAR KIT (PLANET GEAR KIT) 273934
37		12	· THRUST WASHER	IK	STÅL-STEEL. INCLUDED IN GEAR KIT (PLANET GEAR KIT) 273934
		12	· THRUST WASHER	IK	MÅSSING-BRASS. INCLUDED IN GEAR KIT (PLANET GEAR KIT) 273934

