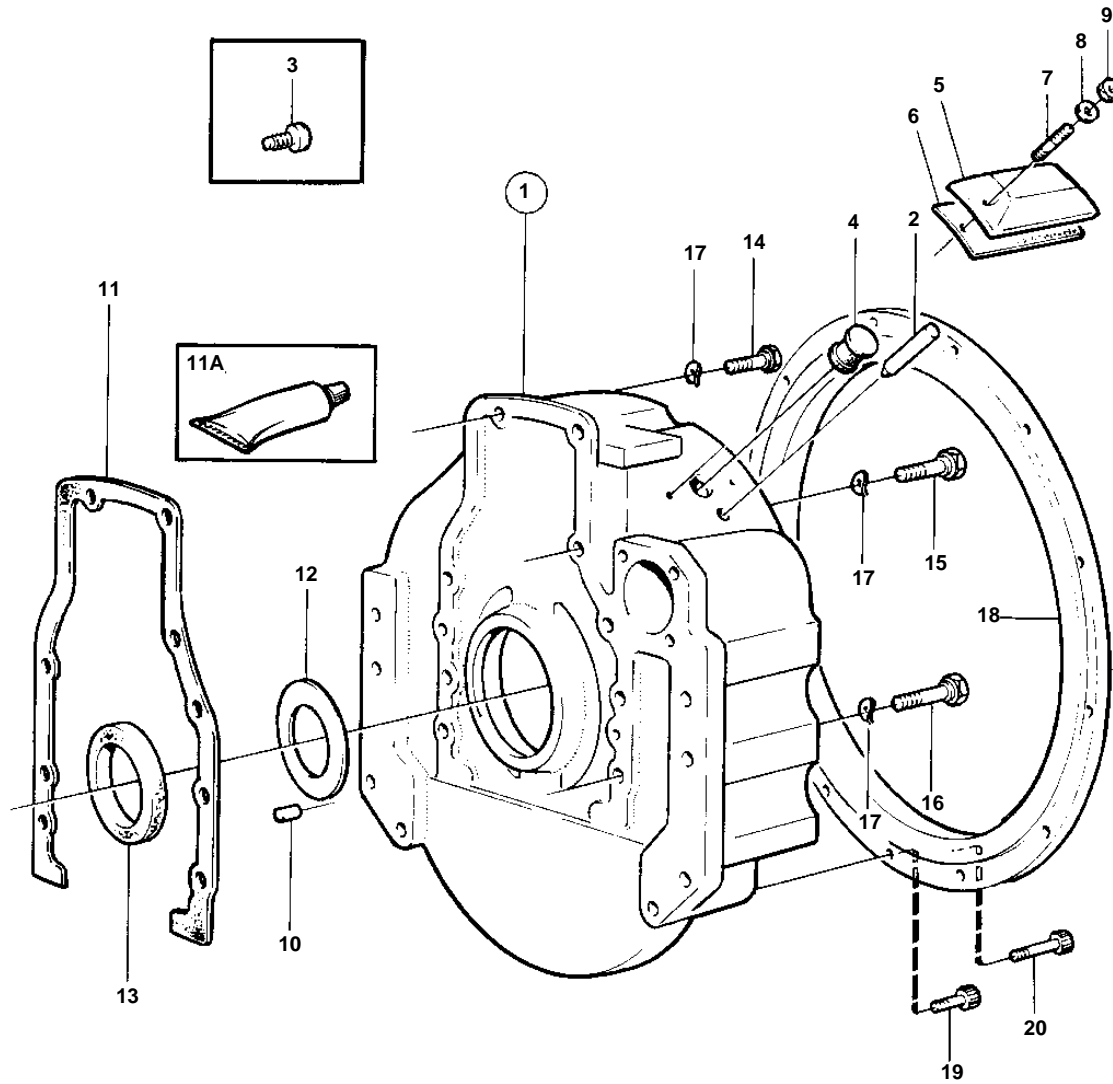


D45B PP, TD45B



10500

D45B PP, TD45B

REF	PART NO.	QTY	DESCRIPTION		NOTES
1	4804263	1	Flywheel housing		
2	192303	1	• Turn signal		
4	61822	1	Rubber plug		
10	191171	2	Pin		
11	787198	1	Gasket	IK	REPLACED BY SEALING AGENT-1161277.
11A	1161277	1	Sealant		
13	4804237	1	Seal		
	863407	1	Sealing ring		(821755)
14	955578	2	Screw		
15	955580	6	Screw		
16	955583	2	Screw		
17	941911	10	Spring washer		