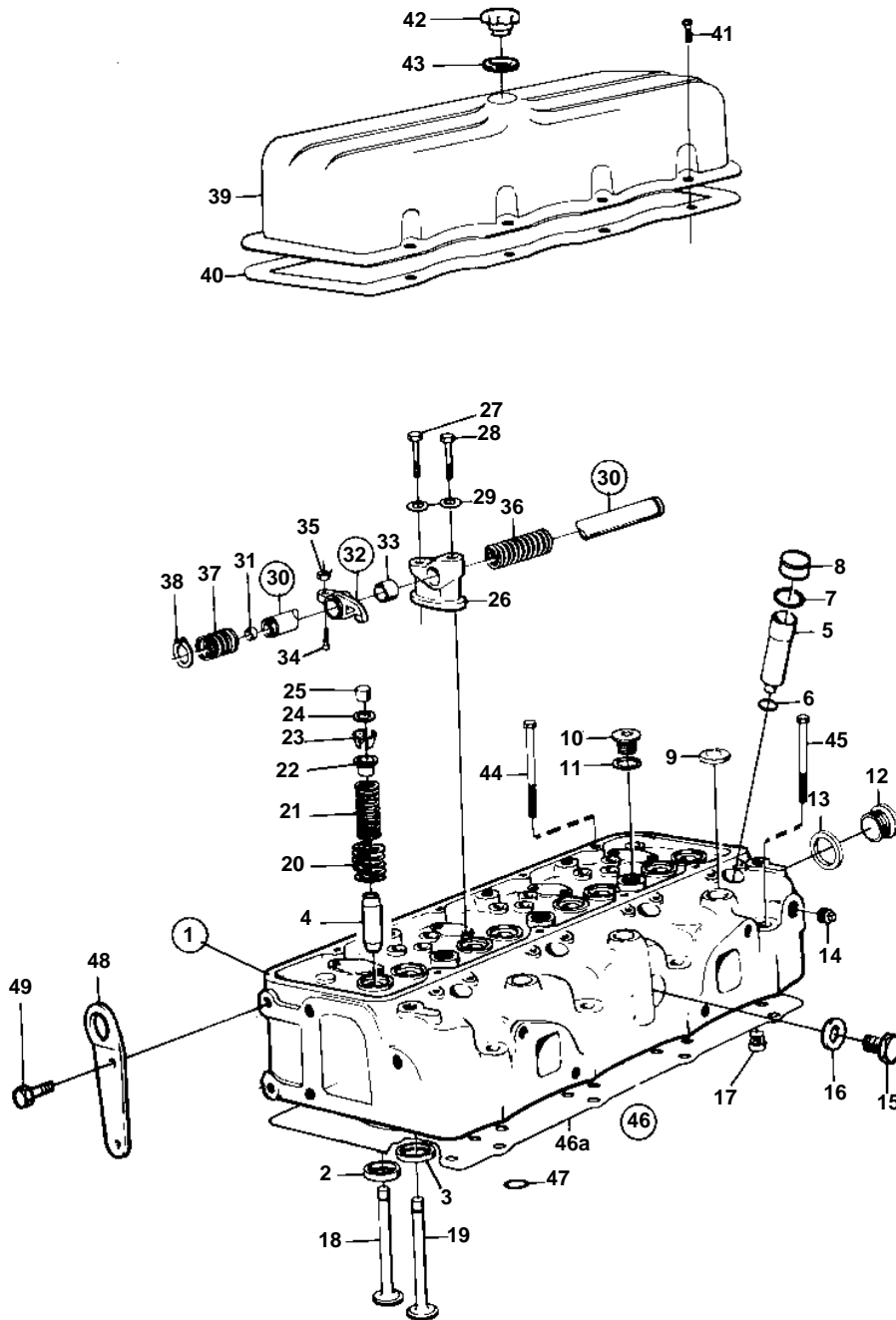


D45B PP, TD45B



8982

D45B PP, TD45B

REF	PART NO.	QTY	DESCRIPTION	NOTES
1	4804587	1	Cylinder head	
2	421011	4	· Valve seat, INTAKE	STD D
	421316	4	· Valve seat, INTAKE	0.20 MM OS
3	4804548	4	· Valve seat, EXHAUST	STD D
4	466330	8	· Valve guide	
5	466403	4	· Sleeve	
6	466922	4	· O-ring	
7	466405	4	· Rubber ring	IK
8	466420	4	· Steel ring	
9	477026	3	· Expansion plug	(192426)
10	466230	3	· Plug	
11	420166	3	· Gasket	IK
12	785765	1	· Plug	
13	785766	1	· Gasket	IK
14	952358	1	· Plug	
15	467365	1	· Plug	
16	468461	1	· Gasket	
17	465420	4	· Nozzle	
18	466379	4	Inlet valve	
19	842080	4	Exhaust valve	(421680)
20	466384	8	Valve spring	
21	466383	8	Spring	
22	466382	8	Washer	
23	468305	16	Valve collet	
24	469456	8	Protecting ring	IK
25	478074	8	Valve cap	(469365)
26	785558	4	Bearing bracket	
27	955539	4	Screw	
28	955540	4	Screw	
29	942336	8	Spring washer	
30	785425	1	Shaft	
31	955082	2	Cap plug	
32	420129	4	Rocker arm, FRONT	
	420132	4	Rocker arm, REAR	
33	420125	8	· Bushing	
34	423058	8	· Ball stud	
35	940175	8	· Nut	
36	411140	2	Spring	
37	301466	3	Spring	
38	914456	2	Lock ring	
39	785415	1	Valve cover	
40	785416	1	Gasket	IK
41	950046	8	Screw	
42	739846	1	Cover	
43	940096	1	Gasket	
44	787459	16	Screw	
45	787458	4	Screw	
46	6630496	1	Gasket kit	IK REPL BY 11990017
	11990017	1	Gasket kit	REPL BY 11990104
	11990104	1	Gasket kit	
46A	4804362	1	· Gasket	REPL BY 11030004
	11030004	1	· Gasket	REPL BY 11990104
47	422413	1	· Sealing ring	IK
48	787189	1		
49	940115	2	Screw	