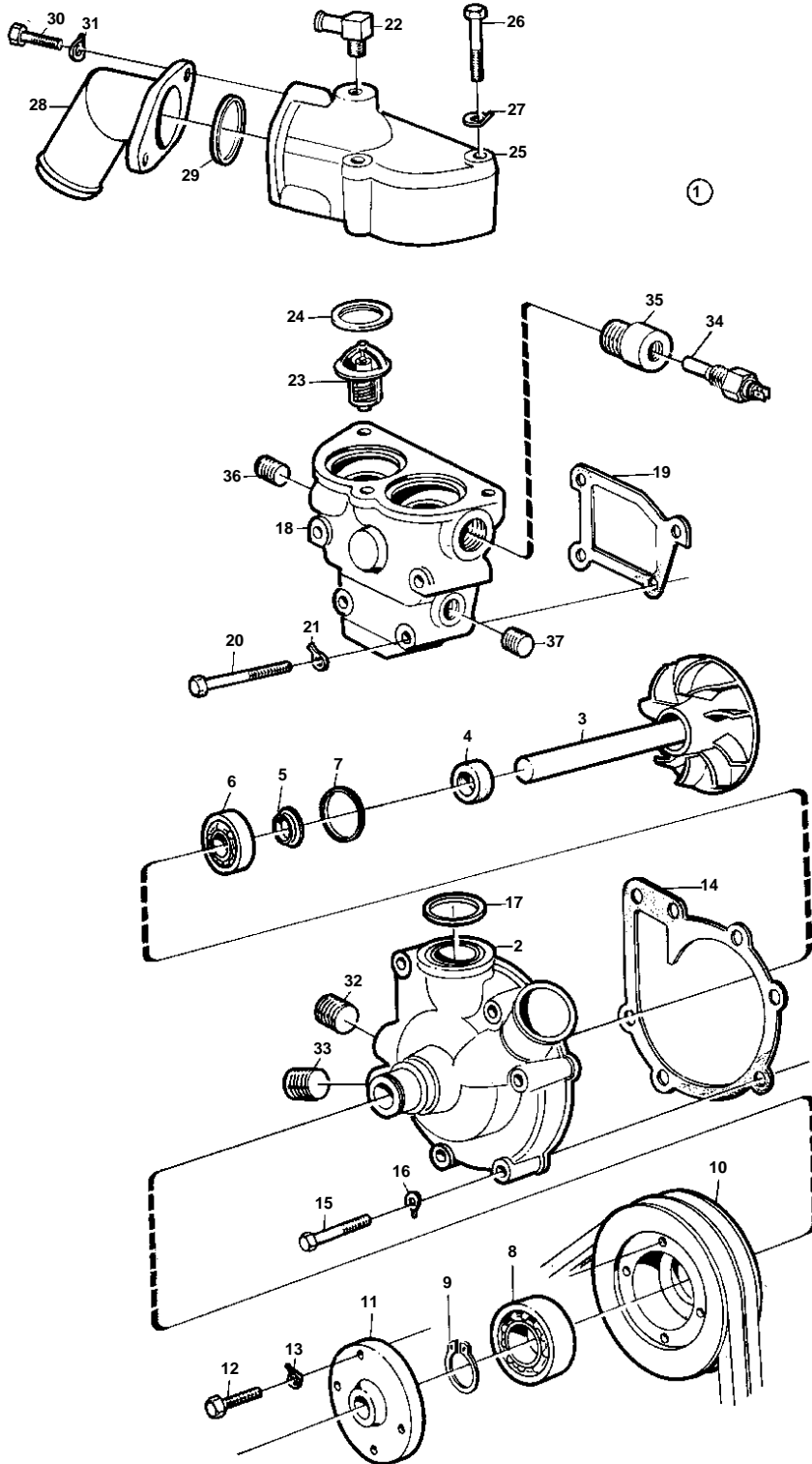


TD30A



5512

TD30A

REF	PART NO.	QTY	DESCRIPTION	SEE SEC.	NOTES
1	838938	1	Water pump		
2		1	· HOUSING		
3		1	· SHAFT	IK	
4	421306	1	· Wear ring	IK	
5	70913	1	· Deflector	IK	
6	1660609	1	· Ball bearing	IK	
7	1545283	1	· Sealing ring	IK	
8	181538	1	· Ball bearing	IK	
9	914462	1	· Lock ring	IK	
10	1542235	1	· Pulley		
11	1542236	1	· Hub		
12	955295	4	· Screw		EARLY PROD
	946173	4	· Flange screw		LATER PROD
13	941907	4	Spring washer		EARLY PROD
14	859027	1	Gasket	IK	(1542229)
15	955298	4	Screw		L=40 MM
	955304	2	Screw		L=70 MM
16	941907	7	Spring washer		
17	1542198	1	Sealing ring	IK	
18	1542186	1	Thermostat housing		
19	1542187	1	Gasket	IK	
20	955306	2	Screw		L=80 MM
	955307	2	Screw		L=100 MM
21	955894	4	Washer		
22	180283	1	Elbow union		
23	875789	1	Thermostat kit		76%Z9C
	875787	1	Thermostat kit		76%Z9C
24	416033	2	· Sealing ring	IK	
25	465122	1	Cover		
26	970956	3	Screw		(955326)
27	941908	3	Spring washer		
28	844853	1	Tube	02B-0140	
29	925091	1	O-ring		
30	940115	2	Screw		
31	942336	2	Spring washer		
32	942590	1	Elbow union	02B-0244	
33	952077	1	Plug		
34	827150	1	Temperature sensor		SEE GROUP 3
35	843586	1	Nipple		
36	952077	1	Plug		
37	968145	1	Plug		(952076)
	875735	1	Repair kit		SEE GROUP 10A