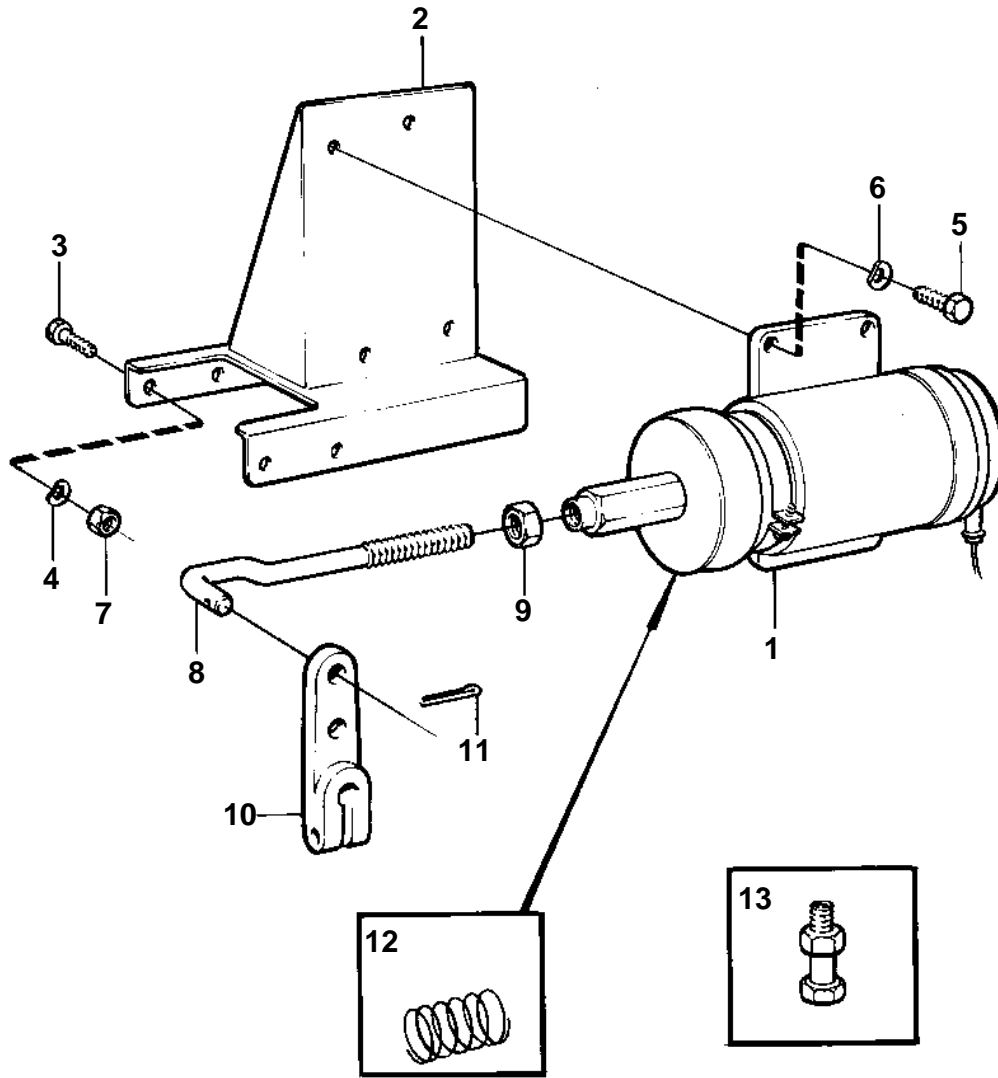


TD100A,D100B



5839

**STOP SOLENOID AND INSTALLATION COMPONENTS FOR
RQV-REGULATOR**

02D

TD100A,D100B

| REF | PART NO. | QTY | DESCRIPTION | NOTES |
|-----|----------|-----|---------------|------------|
| 1 | 881532 | 1 | Stop solenoid | 24V |
| 2 | 845558 | 1 | Bracket | |
| 3 | 955294 | 4 | Screw | EARLY TYPE |
| 4 | 941907 | 4 | Spring washer | EARLY TYPE |
| 5 | 955270 | 4 | Screw | |
| 6 | 941906 | 4 | Spring washer | |
| 7 | 955781 | 4 | Nut | (955782) |
| 8 | 845553 | 1 | Pull link | |
| 9 | 955857 | 1 | Nut | |
| 10 | 845552 | 1 | Lever | |
| 11 | 907824 | 1 | Cotter pin | |
| 12 | 843401 | 1 | Return spring | |
| 13 | 881191 | 1 | Cable union | EARLY TYPE |