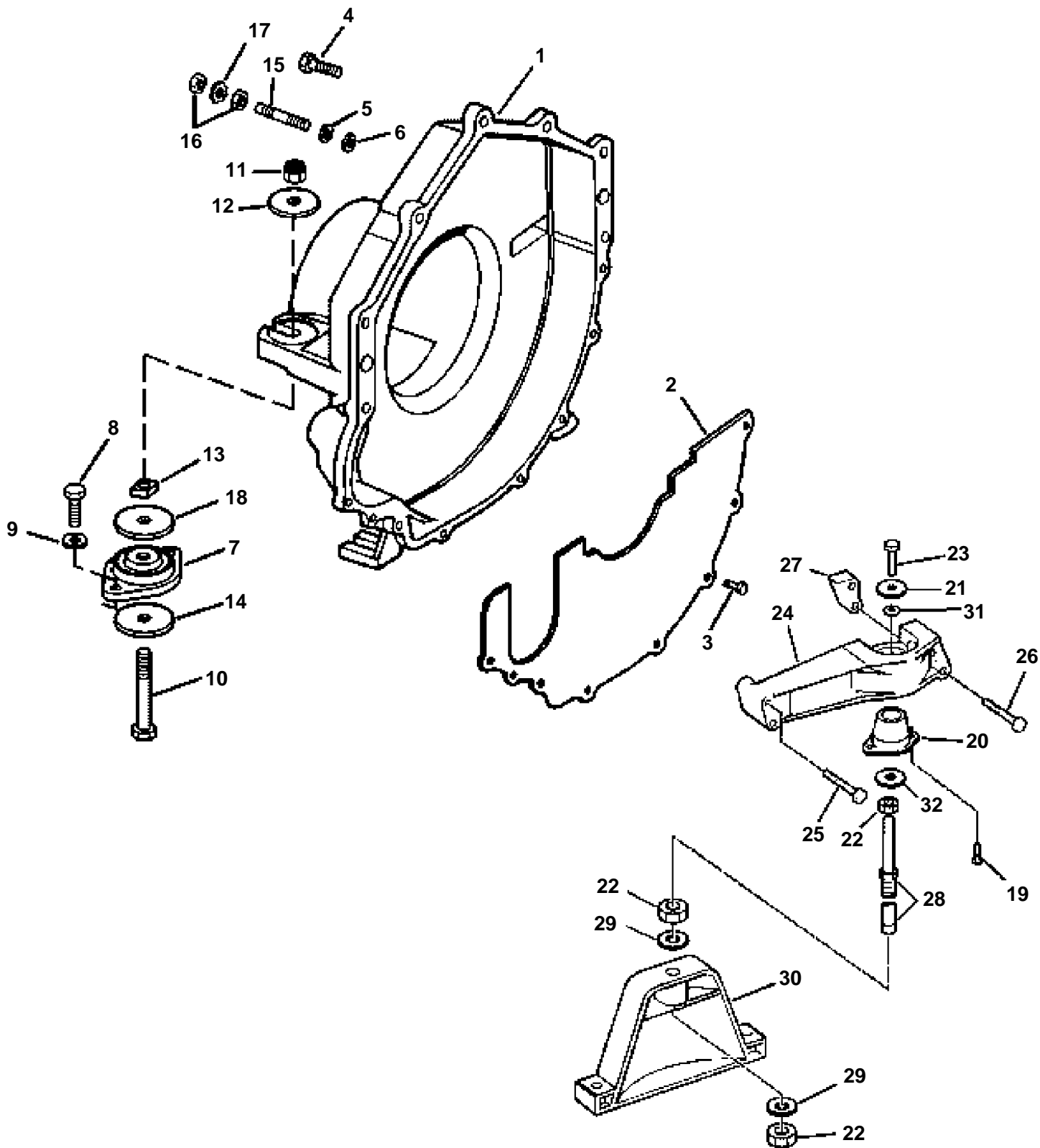


FLYWHEEL HOUSING AND MOUNTS



GR71897

FLYWHEEL HOUSING AND MOUNTS

REF	PART NO.	QTY	DESCRIPTION	NOTES
1	3857846	1	Flywheel housing	
2	3854604	1	Cover, Flywheel	
3	3852421	4	Screw, Flywheel cover to hsg	
4	3853326	4	Screw, Flywheel hsg to engine	
5	3852070	1	Washer, Ground stud, flywheel hsg	Starboard
6	3852058	1	Washer, Ground stud, flywheel hsg	
7	3853806	1	Rubber cushion	
8	959968	4	Screw, Rear mount to transom plate	
9	3852155	4	Washer, Rear mount to transom plate	
10	3850930	2	Screw, Rear mount	
11	3850929	2	Nut, Rear mount	
12	3852540	2	Washer, Rear mount to flywheel hsg	
13	3852539	2	Nut	
14	3852542	2	Washer	
15	3850571	1	Stud, Flywheel hsg to engine	Ground
16	3852065	2	Nut, Terminal to ground stud, flywheel hsg	
17	3852070	1	Washer, Ground stud, flywheel hsg	Starboard
18	3852622	2	Washer, Rear mount	
19	3852474	2	Screw, Mount to bracket	
20	3853789	1	Rubber cushion, Front mount	
21	3852540	1	Washer, Front mount	
22	3852436	3	Nut, Front mount, base	
23	955568	1	Screw, Front mount, bracket	
24	3857240	1	Bracket, Front mount to engine	
25	3853367	2	· Screw, Front mount bracket to engine	Stbd
26	3853407	2	· Screw, Front mount bracket to engine	Port
27	3853252	1	· Spacer, Front mount bracket to engine	Port
28	3857469	1	Rod, Front mount	
29	3852000	2	Washer, Front mount, base	
30	3852586	1	Front support, Front mount	
31	955897	1	Washer	
32	3852622	1	Washer	