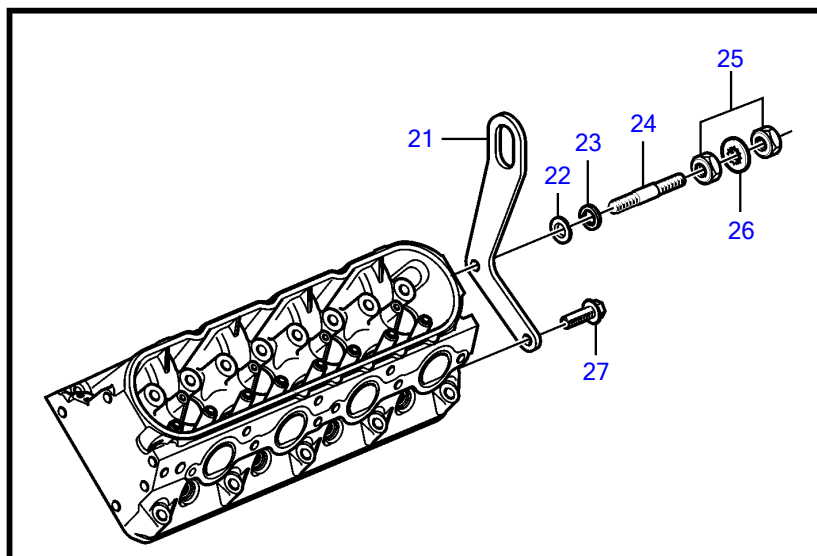
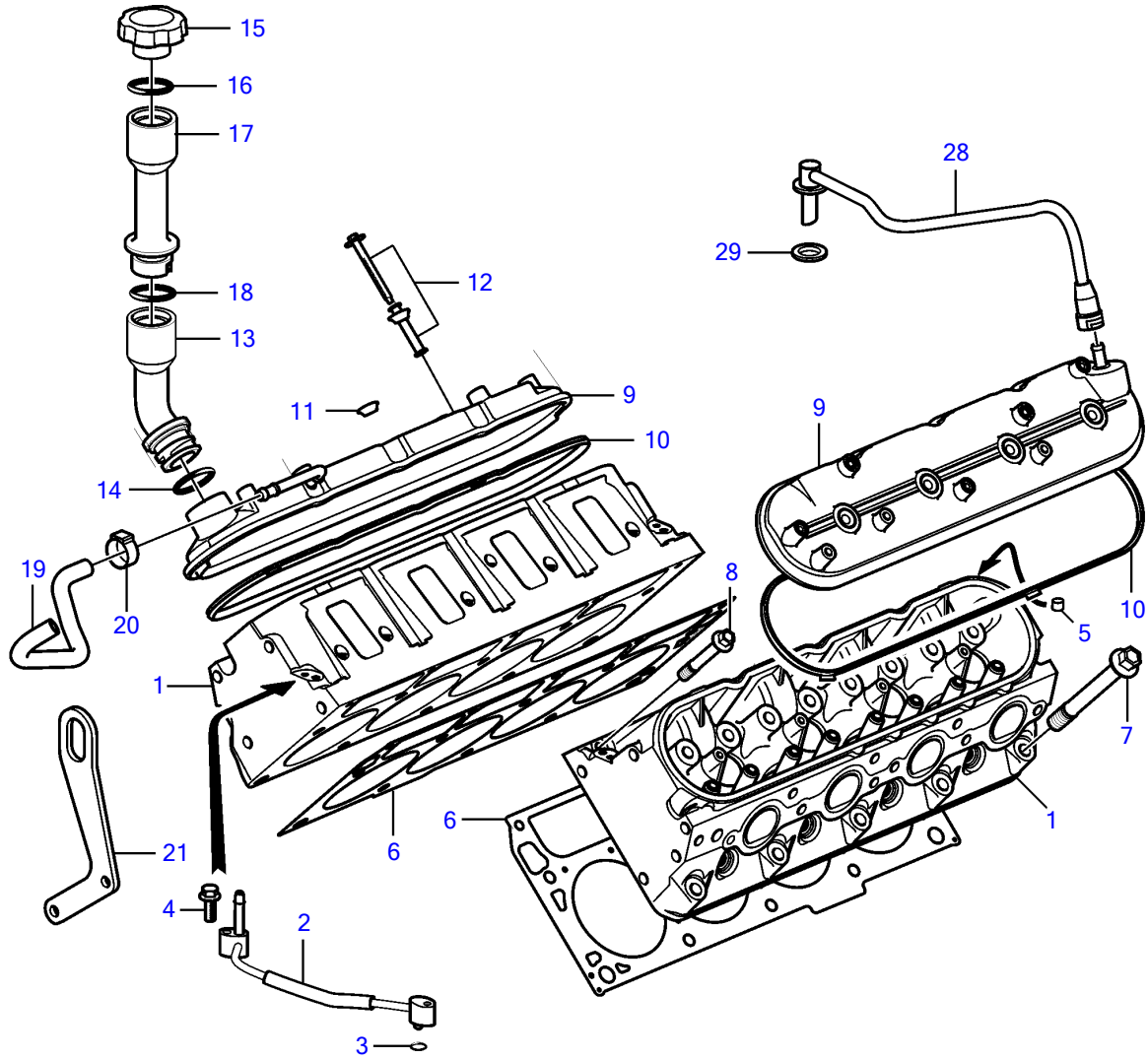


V8-380-CE-A



V8-380-CE-A

REF	PART NO.	QTY	DESCRIPTION	NOTES
1	21874006	2	Cylinder head	
2	21883718	1	Pipe	
		1	• Hose	
3		2	• O-ring	
4	21883717	2	Hexagon screw	
5		2	Plug	
6	21883702	2	Gasket	
7	21883703	20	Screw	
8	21883704	10	Hexagon screw	
9	21919185	1	Valve cover	Starboard
	21883710	1	Valve cover	Port
10	21883709	2	• Gasket	
11		8	• Grommet	not sold separately
12	21883711	8	• Bolt	
		8	• • Sleeve	not sold separately
		8	• • Grommet	same grommet as ref 10
13	21883708	1	Tube	
14	21883707	1	Sealing	
15	21883678	1	Cardboard tube	
16	21883707	1	• Sealing	
17	21688681	8	Tube	
18	21669297	8	• O-ring	
19	21670012	1	Hose	
20	(978171)	1	Hose clamp	Obsolete part
21		2	Lifting eye	
22	980933	1	Washer	
23	3852046	1	Spring washer	
24	3857937	1	Stud	
25	971071	1	Hexagon nut	
26	982679	2	Toothed washer	
27	982702	1	Flange screw	
28	21883712	1	Tube	Crankcase ventilation
29		1	• Seal	not sold separately

47701998-21-37039

26096

Upd:2014-07-01

V8-380-CE-A