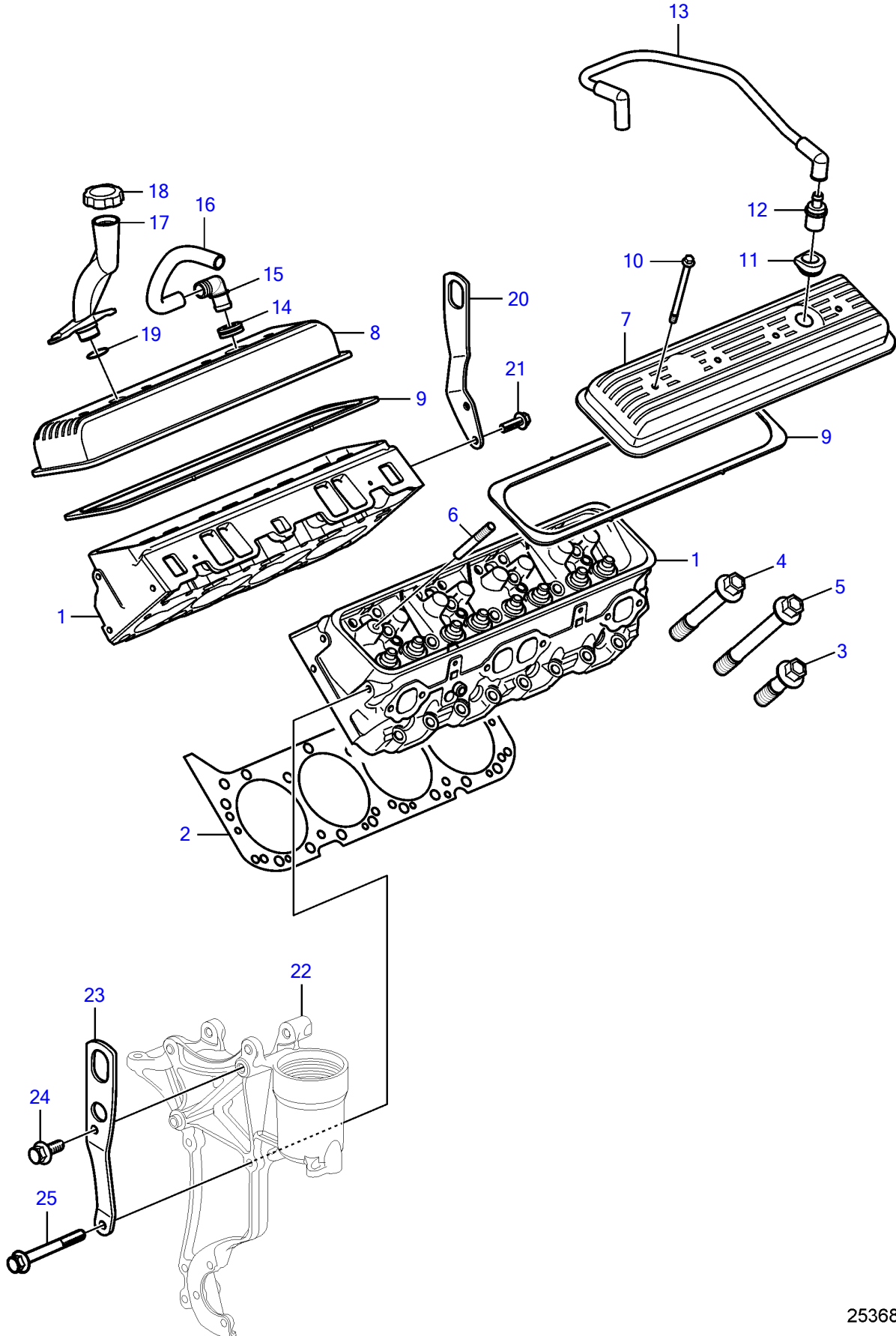


V8-300-B, V8-320-B



25368

V8-300-B, V8-320-B

REF	PART NO.	QTY	DESCRIPTION	NOTES
1	3856929	2	Cylinder head	
2	3853380	2	Cylinder head gasket	
3	3856122	16	Bolt	L=1.62" (41mm)
4	3856123	4	Bolt	L=3 1/16" (78mm)
5	3856124	14	Bolt	L=3 51/64" (96mm)
6	(3853146)	16	Stud	Obsolete part, O.S=0.003" (0.076mm)
7	3856927	1	Valve cover	
8	3856928	1	Valve cover	
9	3852687	2	Gasket	
10	3856135	8	Bolt	
11	3862296	1	Grommet	
12	3861989	1	Valve	
13	3858989	1	Hose	
14	3852103	1	Grommet	
15	3852104	1	Elbow	
16	3853546	1	Hose	
17	21405511	1	Tube	
18	3854008	1	Oil filler cap	
19	925063	1	O-ring	
20	21338270	1	Lifting eye	
21	(3853557)	2	Flange screw, flange	Obsolete part, 3/8" - 16 unc, L=0.75" (19mm)
22	21573817		Bracket	
23	21338268	1	Lifting eye	
24	(3853557)	1	Flange screw, flange	Obsolete part, 3/8" - 16 unc, L=0.75" (19mm)
25	3853392	1	Flange screw	