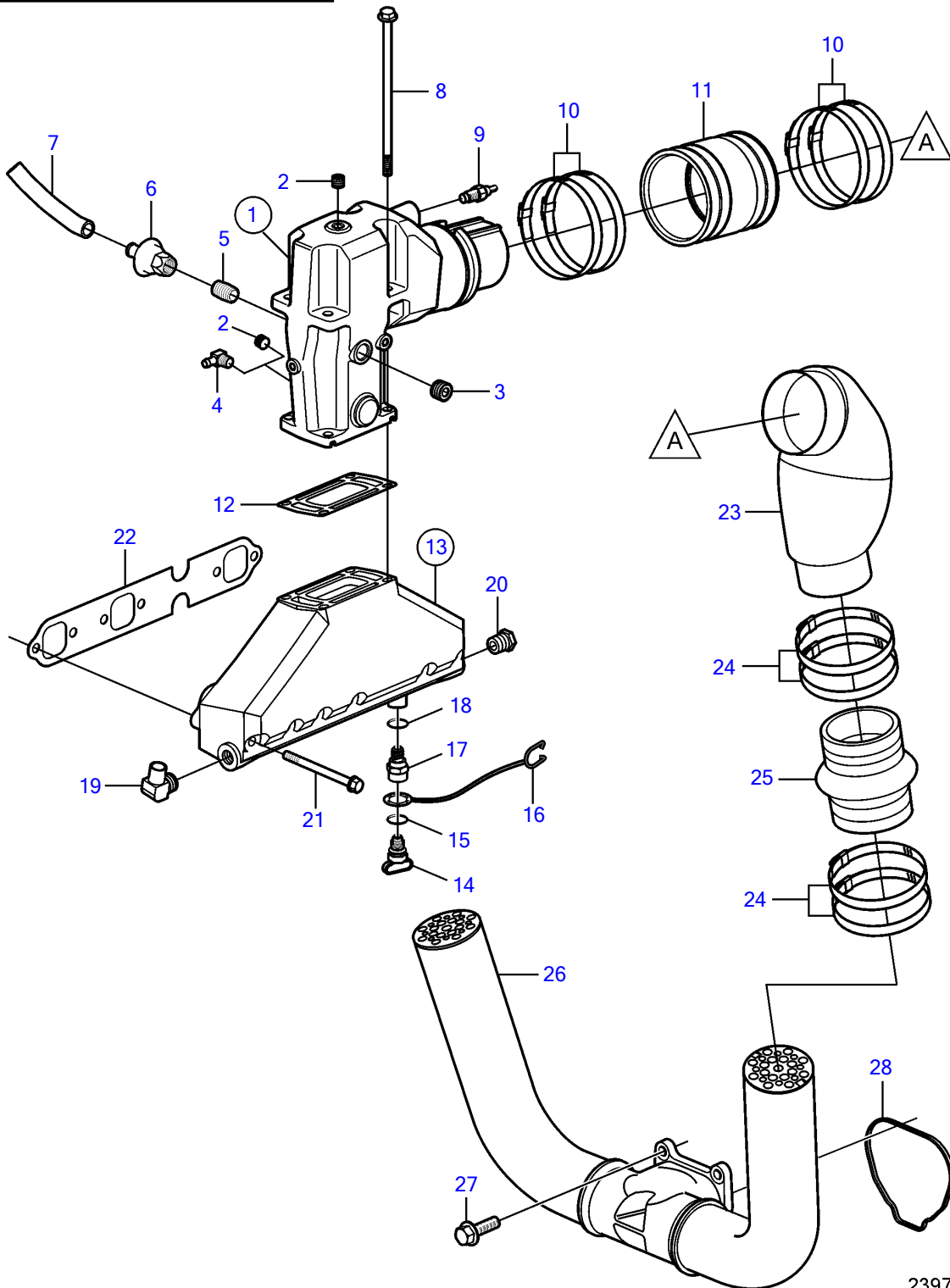
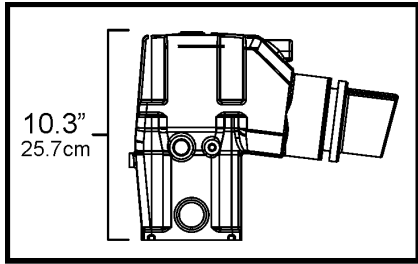


V6-200-A, V6-225-A



## V6-200-A, V6-225-A

REF	PART NO.	QTY	DESCRIPTION	SEE SEC.	NOTES
1	3889964	2	Manifold		
			• Bulletin P-25-1-4	P-25-1-4-EN	Tall Riser Options
2	3850740	3	Plug		
3	3850999	2	Plug		
4	3853597	1	Elbow		
5	3857763	2	Fitting		
6	3857761	2	Valve		
7	(3857178)	2	Hose		Obsolete part
8	3808361	8	Flange screw		
9	3862500	2	Temperature sensor		
10	3863443	8	Hose clamp		
11	3852696	2	Hose		
12	3863191	1	Kit		
		2	• Gasket		Not sold separately
13	3847499	2	Manifold		
14	21114522	2	• Drain plug		
	3849500	2	• • Plug		Replaced by 21114522
15	976970	2	• • • O-ring		
16	3849892	2	• • Retainer		
17	21238201	2	• Adapter		
18	976970	2	• O-ring		
19	3852538	2	• Elbow		
20	3595388	2	• Plug		
21	3857184	12	Flange screw		
22	3853412	2	Gasket		
23	3854874	2	Exhaust pipe		
24	3863442	8	Hose clamp		
25	3863450	2	Bellows		
26	3847749	1	Exhaust pipe		
27	3841928	4	Flange screw		
28	3841013	1	Gasket		