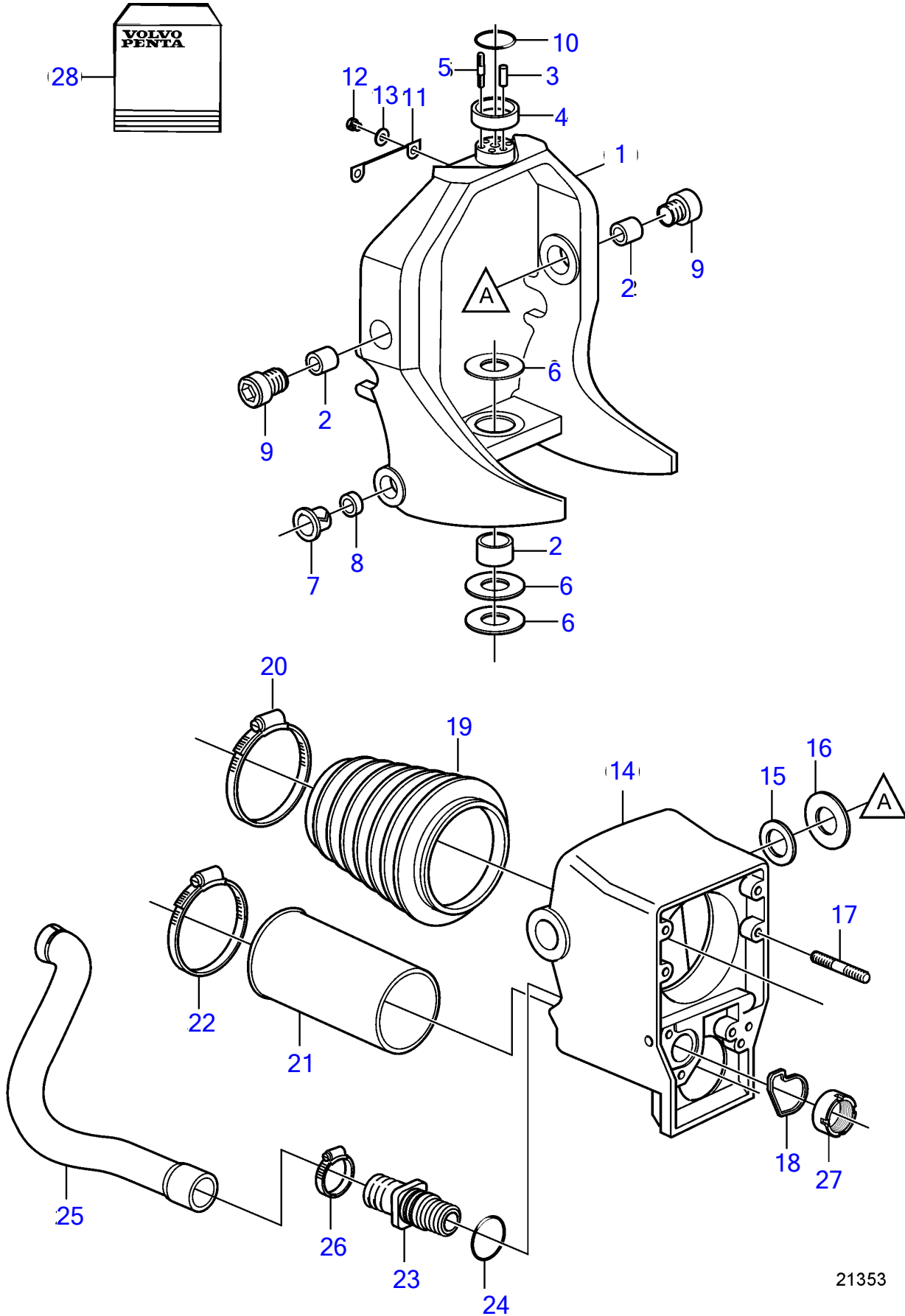


SX-MBAC



21353

SX-MBAC

REF	PART NO.	QTY	DESCRIPTION	SEE SEC.	NOTES
1	3808365	1	Ring		
2	3808228	3	• Bearing bushing		
3	3852545	2	• Dowel		
4	3852571	1	• Sleeve		
5	3852588	4	• Stud		
6	3852557	3	Washer		
7	3853423	2	Bushing		
8	3853424	2	Grommet		
9	3852316	2	Screw		
10	3852044	1	O-ring		
11	3857347	1	Ground cable		
12	3852050	2	Screw		
13	3852193	2	Washer		
14	3807964	1	Housing		
15	3852697	2	• Washer		
16	3852558	2	• Washer		
17	3852551	6	• Stud		
18	3852560	1	• Sealing		
19	3841481	1	Bellows kit		replaced by next part number
	22197130	1	Bellows kit		
			• Bulletin P-44-1-27	P-44-1-27-EN	Improved U-joint Bellows, SX, DPS, DP-S
20	3852604	1	• Hose clamp		
	22274887	1	Hose clamp		included in 22197130
21	3587641	1	Bellows		
22	3852603	1	Hose clamp		
23	3807819	1	Nipple		
24	983513	1	O-ring		
25	3807890	1	Hose		
26	3852602	1	Hose clamp		
27	3807821	1	Nut		
28	3858631	1	Sealing kit		