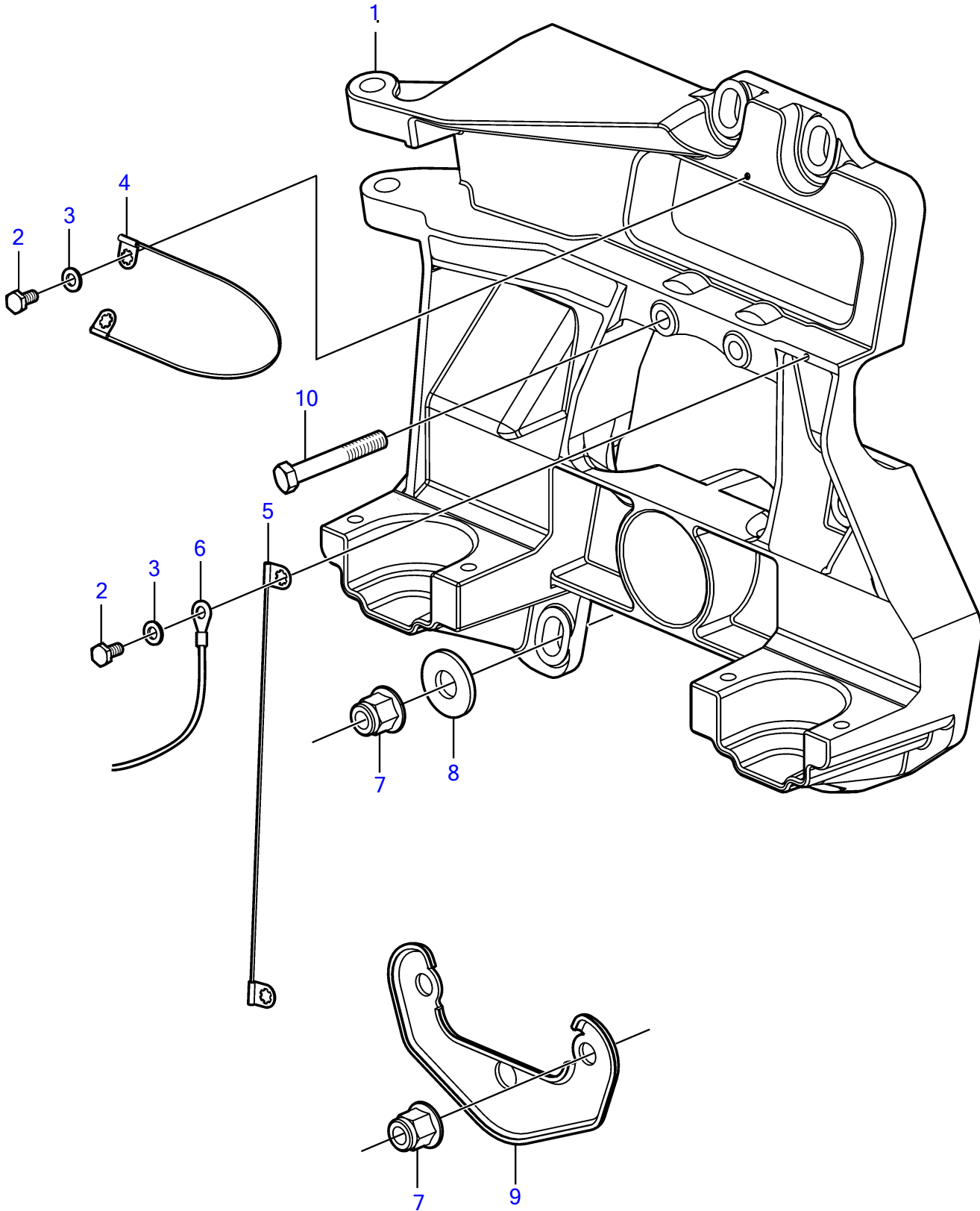


SX-M, SX-MLT, SX-MDA, SX-MDB, SX-MHP, SX-MACLT, SX-MDC, SX-MBAC



SX-M, SX-MLT, SX-MDA, SX-MDB, SX-MHP, SX-MACLT, SX-MDC, SX-MBAC

REF	PART NO.	QTY	DESCRIPTION	NOTES
1	3854605	1	Shield	
2	3852050	2	Screw	
3	3852193	2	Washer	
4	3857347	2	Ground cable	
5	3853928	1	Chassis ground cable	Not used on later versions.
6	3853927	1	Chassis ground cable	
7	3853329	6	Nut	
8	3852573	4	Washer	
9	3852605	1	Bearing plate	
10	3853547	2	Flange screw	