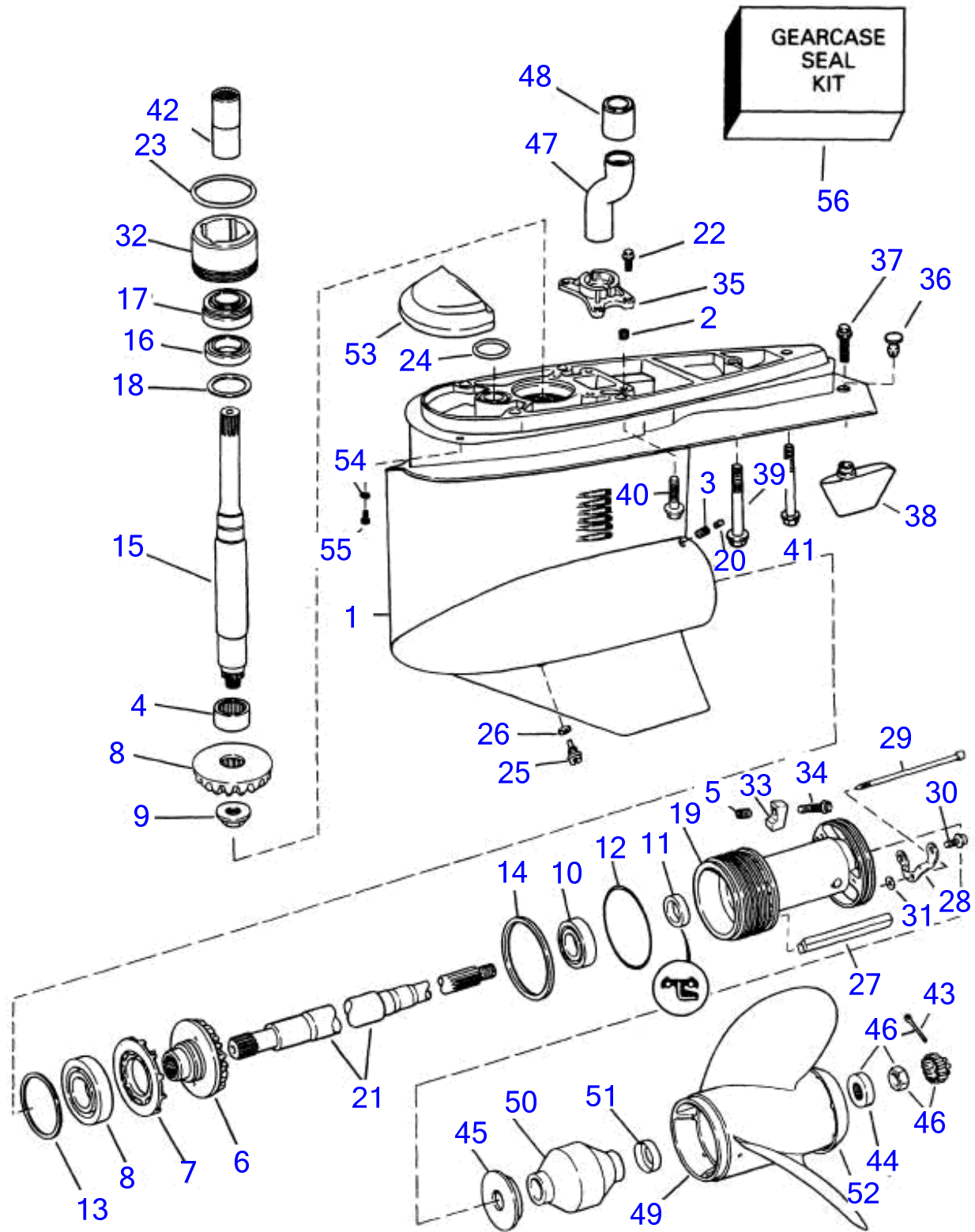


SX-S, SX-ST



SX-S, SX-ST

REF	PART NO.	QTY	DESCRIPTION	SEE SEC.	NOTES
1	3854379	1	Gear housing		1.85:1
	3854380	1	Gear housing		1.66:1
	3854381	1	Gear housing		1.60:1
	3854382	1	Gear housing		1.51:1
	3854385	1	• Gear housing		
2	3852513	4	• • Insert		5/16" - 18UNC
3	3852567	1	• • Insert		5/16" - 18UNC, Short
4	3853934	1	• • Bearing, pinion		
5	3852515	1	• • Insert, prop shaft retainer		
6	3852405	1	• Drive gear set		1.85:1
	3852404	1	• Drive gear set		1.66:1
	3852403	1	• Drive gear set		1.60:1
	3852402	1	• Drive gear set		1.51:1
7	(3853941)	1	• Rotor		Obsolete part
8	3850942	1	• Bearing, gear to gearcase		
9	3851003	1	• Nut, pinion to driveshaft		
10	3854249	1	• Roller bearing, prop shaft housing		
11	3853474	1	• Seal, prop shaft housing		Contents of lower gearcase seal kit
12	3852865	1	• O-ring, propeller shaft hsg		Contents of lower gearcase seal kit
13	3850695	1	• Shim, gear position, 0.002 in		
	3852886	1	• Shim, gear position, 0.003 in		
	3852885	1	• Shim, gear position, 0.004 in		
	3852887	1	• Shim, gear position, 0.005 in		
	3852888	1	• Shim, gear position, 0.010 in		
14	3852881	1	• Ring, shim, prop shaft hsg, 0.096"		
	3852882	1	• Ring, shim, prop shaft hsg., 0.098"		
	3852868	1	• Ring, shim, prop shaft hsg., 0.100"		
	3852869	1	• Ring, shim, prop shaft hsg., 0.102"		
	3852870	1	• Ring, shim, prop shaft hsg., 0.104"		
	3852871	1	• Ring, shim, prop shaft hsg., 0.106"		
	3852872	1	• Ring, shim, prop shaft hsg., 0.108"		
	3852873	1	• Ring, shim, prop shaft hsg., 0.110"		
	3852874	1	• Ring, shim, prop shaft hsg., 0.112"		
	3852875	1	• Ring, shim, prop shaft hsg., 0.114"		
	3852876	1	• Ring, shim, prop shaft hsg., 0.116"		
	3852877	1	• Ring, shim, prop shaft hsg., 0.118"		
	3852878	1	• Ring, shim, prop shaft hsg., 0.120"		
	3852879	1	• Ring, shim, prop shaft hsg., 0.122"		
	3852880	1	• Ring, shim, prop shaft hsg., 0.124"		
15	3852337	1	• Countershaft, lower		
16	3854249	1	• Roller bearing, driveshaftl lower		
17	3854250	1	• Roller bearing, driveshaftl upper		
18	3852889	1	• Shim, pinion position, 0.003 in		
	3852890	1	• Shim, pinion position, 0.004 in		
	3852891	1	• Shim, pinion position, 0.005 in		
	3852892	1	• Shim, pinion position, 0.010 in		
19	3853492	1	• Housing, propeller shaft		
20	3853272	1	• Screw, prop shaft housing		
21	3852271	1	• Propeller shaft		
22	3852454	4	• Flange screw, guide & seal		
23	3852866	1	• O-ring, support housing		Contents of lower gearcase seal kit
24	3852959	1	• O-ring, oil passage		Contents of lower gearcase seal kit
25	3854539	1	• Plug, gearcase plug		
26	3855081	1	• O-ring, gearcase plug (a)		Contents of lower gearcase seal kit
27	(3852970)	1	• Anode, prop shaft housing		Obsolete part
28	(3852971)	1	• Retainer, anode		Obsolete part
29	(3852972)	1	• Screw, anode		Obsolete part
30	(3853309)	2	• Screw, anode retainer		Obsolete part
31	(3852973)	1	• Washer, anode		Obsolete part
32	3852883	1	• Retainer, driveshaft		
33	3853371	1	• Retainer, prop shaft housing		
34	3852478	1	• Screw, prop shaft retainer		
35	3853932	1	• Guide, water tube (a)		Contents of lower gearcase seal kit

SX-S, SX-ST

REF	PART NO.	QTY	DESCRIPTION	SEE SEC.	NOTES
36	3850662	1	Plug, trim tab hole		SX-S
37	3852008	1	Screw, trim tab		SX-ST
38	3854402	1	Trim fin		SX-ST
39	3852349	1	Screw, lower to upper housing		
40	(3853262)	4	Screw, lower to upper housing		Obsolete part
41	3852960	1	Screw, lower to upper housing		
42	3852268	1	Splined sleeve, intermediate		
43	3852056	1	Split pin, propeller		
44	3852350	1	Spacer, propeller nut		
45	3852020	1	Bushing		
46	3850984	1	Propeller nut, propeller		
47	(3852314)	1	Tube, water supply		Obsolete part
48	3852315	1	Sealing, water supply tube		Contents of lower gearcase seal kit
49	(3850315)	1	Propeller, 15 x 15		Obsolete part, Left-Hand rotation, stainless steel
		1	Propeller, 15 x 17		Left-Hand rotation, stainless steel
			• Bulletin 56-11	56-11-EN	Replacement of SX Propellers
49	3850317	1	Propeller, 14 ½ x 19		Left-Hand rotation, stainless steel
			• Bulletin 56-11	56-11-EN	Replacement of SX Propellers
49	3850318	1	Propeller, 14 ¼ x 21		Left-Hand rotation, stainless steel
			• Bulletin 56-11	56-11-EN	Replacement of SX Propellers
49		1	Propeller, 14 ¼ x 23		Left-Hand rotation, stainless steel
			• Bulletin 56-11	56-11-EN	Replacement of SX Propellers
49		1	Propeller, 15 x 17		Left-Hand rotation, polished stainless steel
			• Bulletin 56-11	56-11-EN	Replacement of SX Propellers
49	3850321	1	Propeller, 14 ½ x 19		Left-Hand rotation, polished stainless steel
			• Bulletin 56-11	56-11-EN	Replacement of SX Propellers
49	3850322	1	Propeller, 14 ¼ x 21		Left-Hand rotation, polished stainless steel
			• Bulletin 56-11	56-11-EN	Replacement of SX Propellers
49	3850323	1	Propeller, 14 ¼ x 23		Left-Hand rotation, polished stainless steel
			• Bulletin 56-11	56-11-EN	Replacement of SX Propellers
49	(3850304)	1	Propeller, 15 ½ x 14		Obsolete part, Right-Hand Rotation, Stainless Steel
		1	Propeller, 15 x 15		Right-Hand Rotation, Stainless Steel
	(3850306)	1	Propeller, 15 x 16		Obsolete part, Right-Hand Rotation, Stainless Steel
	3850307	1	Propeller, 15 x 17		Right-Hand Rotation, Stainless Steel
			• Bulletin 56-11	56-11-EN	Replacement of SX Propellers
49	3850308	1	Propeller, 14 ½ x 19		Right-Hand Rotation, Stainless Steel
			• Bulletin 56-11	56-11-EN	Replacement of SX Propellers
49	3850309	1	Propeller, 14 ¼ x 21		Right-Hand Rotation, Stainless Steel
			• Bulletin 56-11	56-11-EN	Replacement of SX Propellers
49	3850310	1	Propeller, 14 ¼ x 23		Right-Hand Rotation, Stainless Steel
			• Bulletin 56-11	56-11-EN	Replacement of SX Propellers
49	3850298	1	Propeller, 15 ¼ x 13		Right-Hand Rotation, Aluminum
	3850299	1	Propeller, 15 ¼ x 15		Right-Hand Rotation, Aluminum
	3850300	1	Propeller, 15 x 17		Right-Hand Rotation, Aluminum
	3850301	1	Propeller, 14 ¼ x 19		Right-Hand Rotation, Aluminum
	3850302	1	Propeller, 14 ¼ x 21		Right-Hand Rotation, Aluminum
	3850303	1	Propeller, 14 ¼ x 23		Right-Hand Rotation, Aluminum
	3850311	1	Propeller, 15 x 17		Right-Hand Rotation, Polished Stainless Steel
			• Bulletin 56-11	56-11-EN	Replacement of SX Propellers
49	3850312	1	Propeller, 14 ¼ x 19		Right-Hand Rotation, Polished Stainless Steel
			• Bulletin 56-11	56-11-EN	Replacement of SX Propellers
49	3850313	1	Propeller, 14 ¼ x 21		Right-Hand Rotation, Polished Stainless Steel
			• Bulletin 56-11	56-11-EN	Replacement of SX Propellers
49	3850314	1	Propeller, 14 ¼ x 23		Right-Hand Rotation, Polished Stainless Steel
			• Bulletin 56-11	56-11-EN	Replacement of SX Propellers
50	3850324	1	• Bushing, propeller		Aluminum
	3850325	1	• Bushing, propeller		Stainless steel, Polished stainless steel
51	3850831	1	• Sleeve, bushing		
52	(3854241)	1	• Ring, converging		Obsolete part, Aluminum
53	3853818	1	Zinc anode		
			• Bulletin P-44-1-1	P-44-1-1-EN	Anodes, SX AND DP-S
54	3852182	2	Washer, anode		
55	3852186	2	Hexagon screw, anode		

SX-S, SX-ST

REF	PART NO.	QTY	DESCRIPTION	SEE SEC.	NOTES
56	3850597	1	Kit		