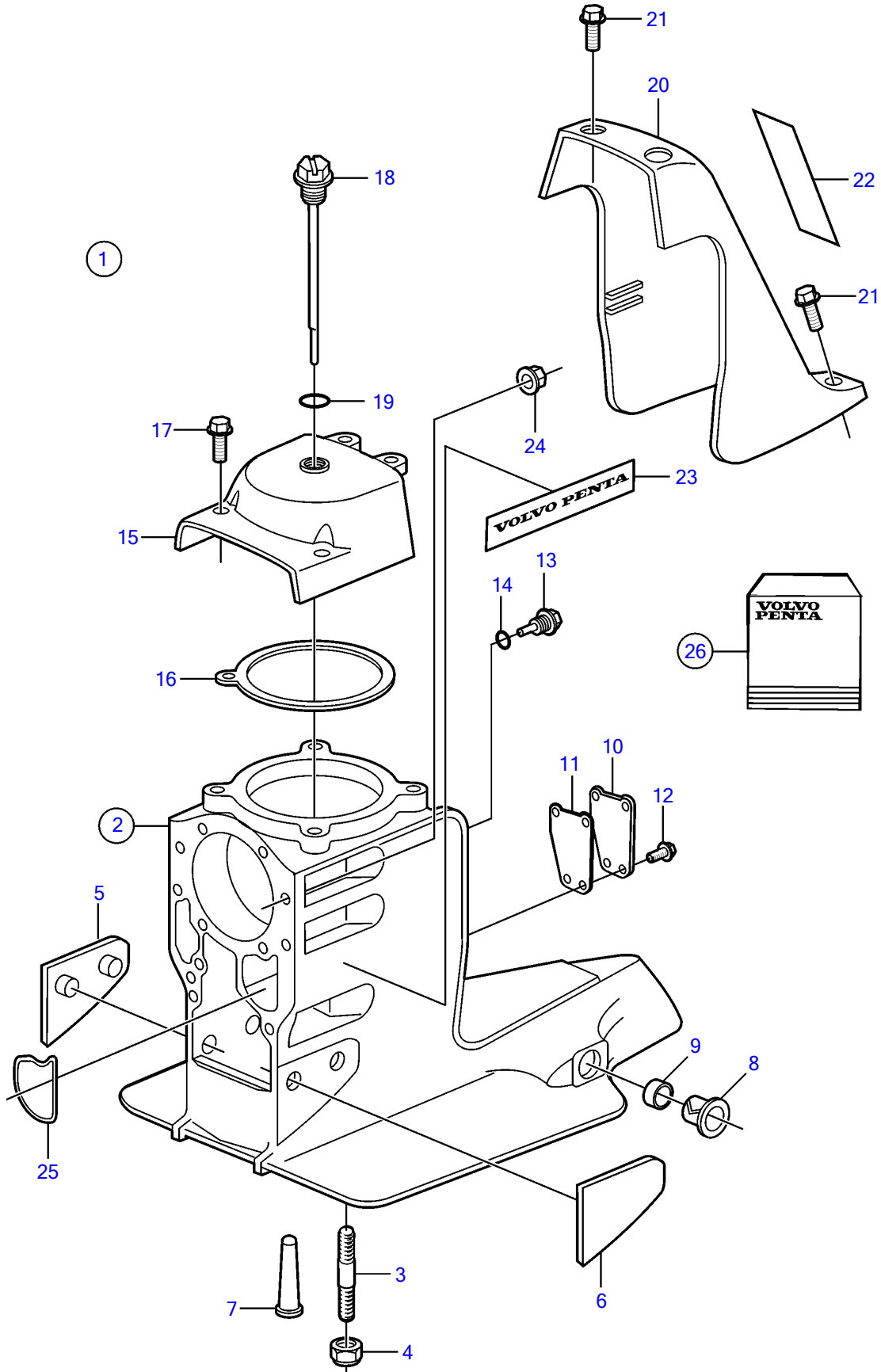


SX-M1 1.79, SX-M1 1.89, SX-M1 1.97, SX-M1 2.18



SX-M1 1.79, SX-M1 1.89, SX-M1 1.97, SX-M1 2.18

REF	PART NO.	QTY	DESCRIPTION	NOTES
1	3857010	1	Upper gear	Complete
	3801181	1	Upper gear, exch, exch	Complete
2	3855775	1	Gear housing	
3	941814	4	• Stud	Included in gear housing assembly, used for DP-S., DP-S
4	941885	4	• Lock nut	Included in gear housing assembly, used for DP-S.
5	3589524	1	Plate	
6	3589522	1	Plate	
7	(3854021)	1	Strainer	Obsolete part
8	3853423	2	Bushing	
9	3853424	2	Grommet	
10	3812478	1	Plate	
11	3812476	1	Gasket	
12	3852373	4	Screw	
13	3854539	1	Plug	
14	3855081	1	• O-ring	
15	3854401	1	Bearing cover	
16	3852317	1	Gasket	
17	3852454	4	Flange screw	
18	3854847	1	Dipstick	
19	3852045	1	O-ring	
20	3852418	1	Cover	
21	3852568	3	Flange screw	
22	3858670	1	Decal	Volvo Penta SX
23	3858671	2	Decal	Volvo Penta
24	3853329	6	Nut	
25	3852560	1	Sealing	
26	3850594	1	Kit	