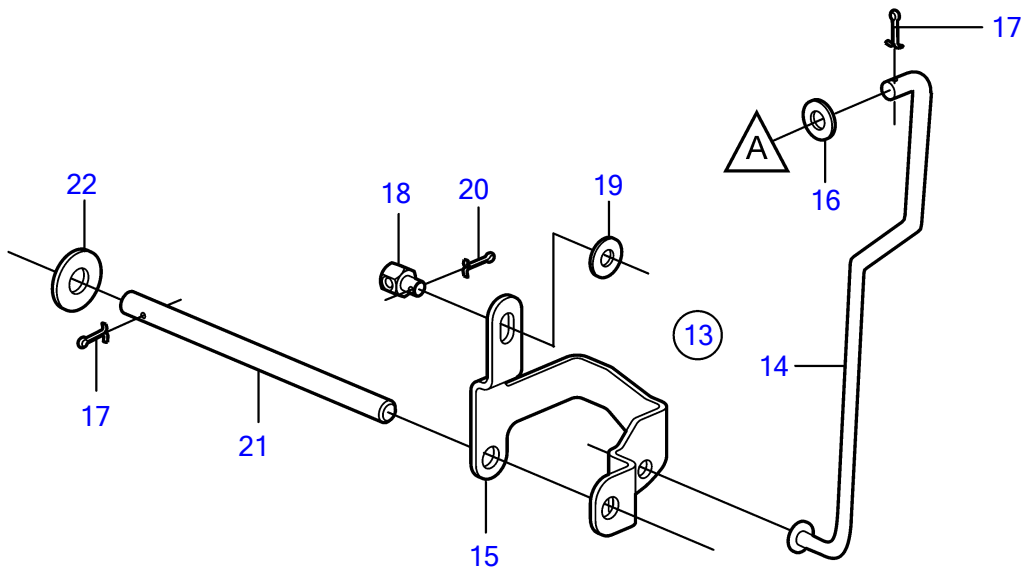
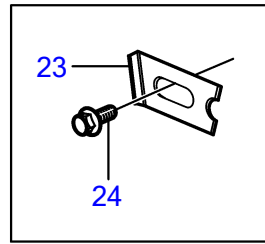
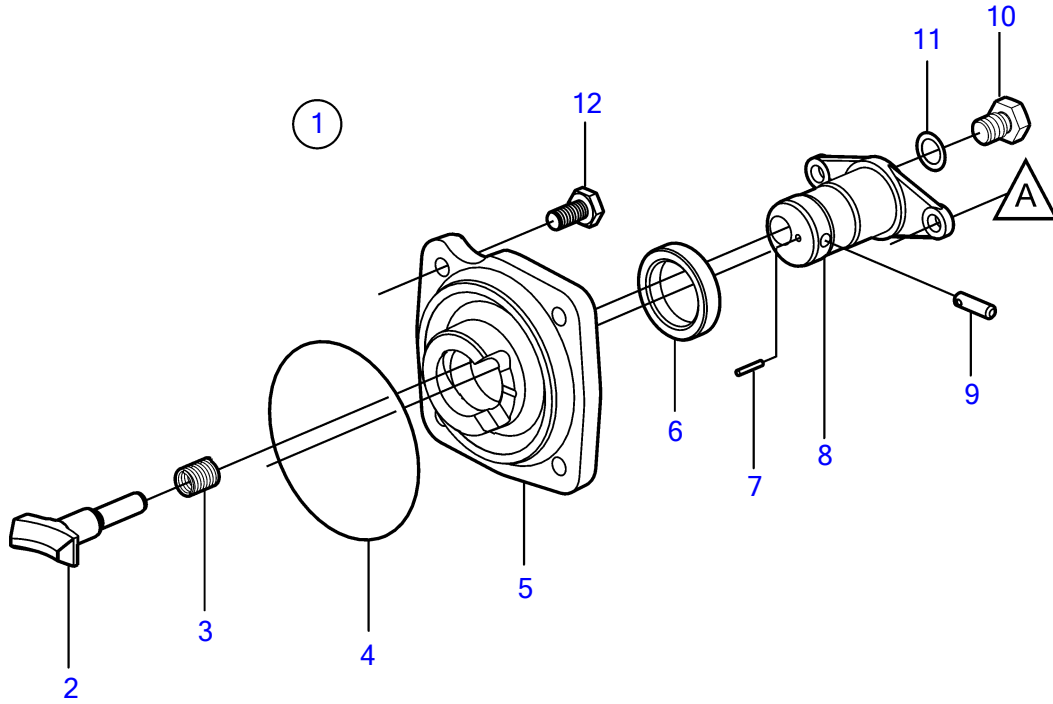


SX-M1 1.43, SX-M1 1.51, SX-M1 1.60, SX-M1 1.66, SX-M1 1.79, SX-M1 1.89, SX-M1 1.97, SX-M1 2.18



SX-M1 1.43, SX-M1 1.51, SX-M1 1.60, SX-M1 1.66, SX-M1 1.79, SX-M1 1.89, SX-M1 1.97, SX-M1 2.18

REF	PART NO.	QTY	DESCRIPTION	NOTES
1	3855787	1	Shift unit	
2	3856502	1	• Dog	
3	814184	1	• Spring	Obsolete part
4	925093	1	• O-ring	
5	3855785	1	• Bearing housing	
6	853868	1	• Sealing ring	
7	973593	1	• Spring pin	
8	3856008	1	• Plunger	
9	942871	1	• Clevis pin	
10	897711	1	• Hexagon screw	
11	897871	4	• Shim	
12	3856742	4	Screw	
13	3857460	1	Link rod kit	
14		1	• Bar	
15		1	• Bracket	
16	3852193	1	Washer	
17	3852052	2	Split pin	
18	3852329	1	Cube	
19	3852193	1	Washer	
20	3854480	1	Split pin	
21	3852277	1	Bar	
22	3852083	1	Washer	
23	3809477	1	Retainer, shift cable	
24	3852006	1	Screw	