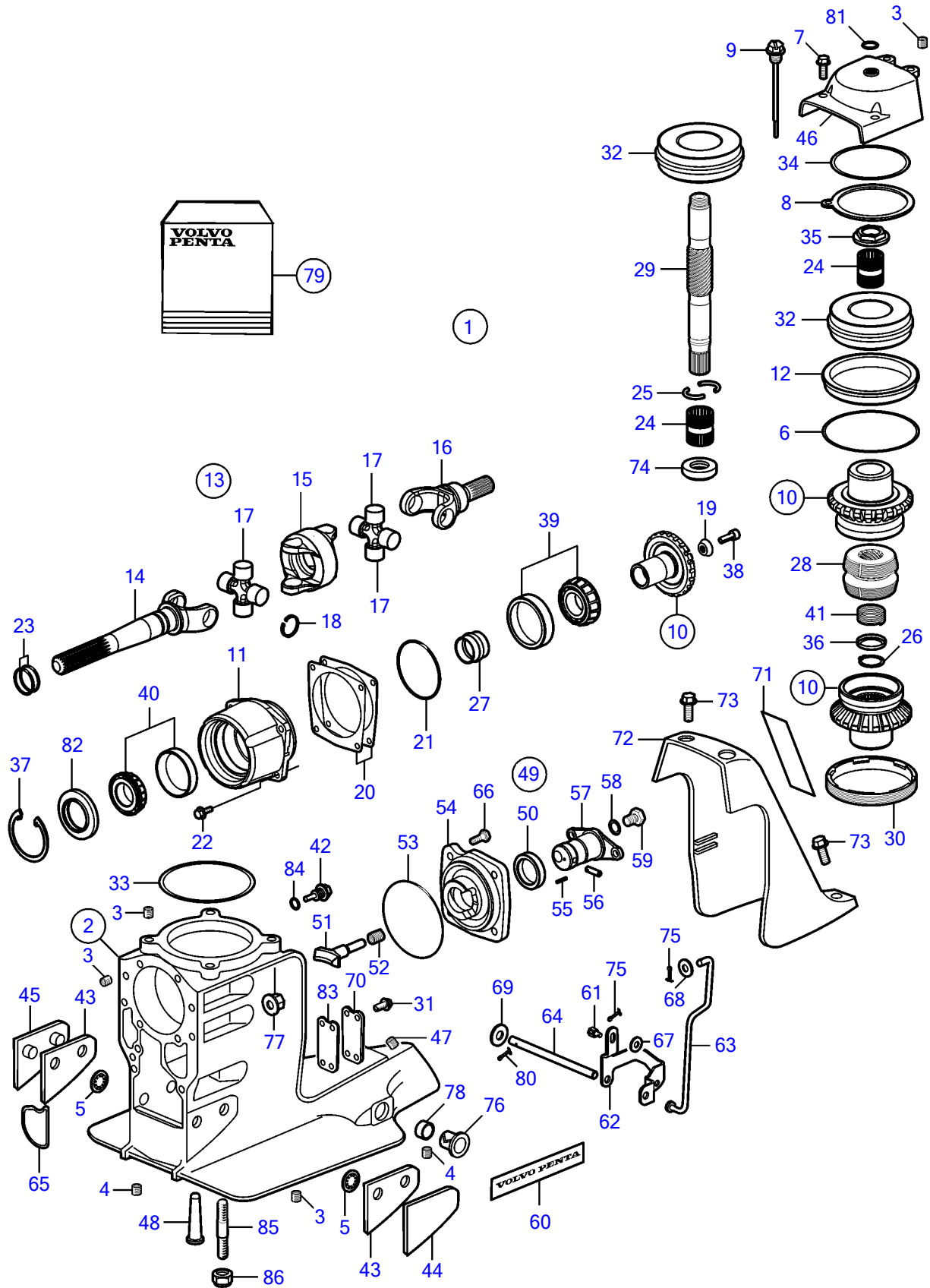


SX-C2, SX-RT2, DP-S1



SX-C2, SX-RT2, DP-S1

REF	PART NO.	QTY	DESCRIPTION	SEE SEC.	NOTES
1	3857007	1	Upper gear, upper, 22:23		1.43, 1.51, 1.60, 1.66, 1.78, 1.85, 1.95
	3801180	1	Upper gear, exch, upper, 22:23, exch		1.43, 1.51, 1.60, 1.66, 1.78, 1.85, 1.95
	3857010	1	Upper gear, upper, 21:26		1.79, 1.89, 1.97, 2.18, 2.32
	3801181	1	Upper gear, exch, upper, 21:26, exch		1.79, 1.89, 1.97, 2.18, 2.32
2	3855775	1	Gear housing, upper		
3	3852541	1	• Insert		7/16" - 14 unc
	3852513	9	• Insert		5/16" - 18UNC
4	3852515	5	• Insert		3/8" - 16 unc
5	3852516	4	Ring, thrust plate to upper gear		
6	3852363	1	Shim, upper bearing, 0.002 in		0.05mm; as required
	3852364	1	Shim, upper bearing, 0.003 in		0.08mm; as required
	(3852365)	1	Shim, upper bearing, 0.004 in		Obsolete part, 0.10mm; as required
	3852366	1	Shim, upper bearing, 0.005 in		0.13mm; as required
	3852367	1	Shim, upper bearing, 0.010 in		0.25mm; as required
7	3850629	4	Screw, top cover to upper gear hsg		
8	3852317	1	Gasket, top cover to upper gear hsg		
9	3854847	1	Dipstick, oil indicator, upper gear hsg cover		
10	3851505	1	Gear set		1.43, 1.51, 1.60, 1.66, 1.78, 1.85, 1.95, replaced by next part number
	3851203	1	Gear		DP-S1 - 1.68, 1.78, 1.95 only, replaced by next part number
	21130692	1	Kit		Contains gear set, sliding sleeve & shoe
	3851793	1	Gear		1.79, 1.89, 1.97, 2.18, 2.32, replaced by next part number
	3856996	1	Gear set		replaced by next part number
	21130693	1	Kit		Contains gear set, sliding sleeve & shoe
		2	• Gear		
		1	• Pinion		
11	3852267	1	Bearing housing, pinion		
12	3852269	1	Ring, upper bearing support		
13	3852384	1	Universal joint		
			• Bulletin P-44-1-5	P-44-1-5-EN	U-joints
14	(3850815)	1	• Yoke		Obsolete part
15	3850813	1	• Spacer		
16	(3850814)	1	• Yoke		Obsolete part
17	3850812	2	• Spider		
18	(3850757)	4	• Locking clip, u-joint		Obsolete part
19	3852310	1	Washer, pinion gear		
20	3852355	1	Shim, bearing carrier, 0.003 in (0.08 mm)		
	3852356	1	Adjusting washer, bearing carrier, 0.004 in (0.10 mm)		
	3852357	1	Adjusting washer, bearing carrier, 0.005 in (0.13 mm)		
	3852358	1	Adjusting washer, bearing carrier, 0.010 in (0.25 mm)		
21	3852308	1	O-ring, bearing carrier		
22	3852454	4	Flange screw, pinion brg carrier to upper gear hsg		
23	3852565	2	O-ring, u joint		
24	3852390	2	Bearing, drive gear		
25	3852295	2	Locking clip, upper drive shaft		
26	3852299	1	Snap ring, spring		
27	3852304	1	Sleeve, bearings, input gear		
28	3855783	1	Sliding sleeve		
			• Bulletin P-44-1-18	P-44-1-18-EN	Shift Cone
29	3852292	1	Shaft, upper		
30	3852262	1	Ring, lower bearing		
31	3852373	4	Screw, water passage plate & gasket		
32	3852389	2	Bearing, drive gear		
33	3852368	1	Shim, lower bearing, 0.002 in		0.05mm; as required
	(3852369)	1	Shim, lower bearing, 0.003 in		Obsolete part, 0.08mm; as required
	3852370	1	Shim, lower bearing, 0.004 in		0.10mm; as required
	3852371	1	Shim, lower bearing, 0.005 in		0.13mm; as required
	3852372	1	Shim, lower bearing, 0.010 in		0.25mm; as required

7749307-44-11280

24554

Upd:2014-05-27

SX-C2, SX-RT2, DP-S1

REF	PART NO.	QTY	DESCRIPTION	SEE SEC.	NOTES
34	3852368	1	Shim, upper cover, 0.002 in		0.05mm; as required
	(3852369)	1	Shim, upper cover, 0.003 in		Obsolete part, 0.08mm; as required
	3852370	1	Shim, upper cover, 0.004 in		0.10mm; as required
	3852371	1	Shim, upper cover, 0.005 in		0.13mm; as required
	3852372	1	Shim, upper cover, 0.010 in		0.25mm; as required
35	3852301	1	Nut, upper drive shaft, 0.000 in		As required
	3852302	1	Nut, upper drive shaft, 0.008 in		0.2mm; as required
	3852303	1	Nut, upper drive shaft, 0.016 in		0.4mm; as required
	3852375	1	Nut, upper drive shaft, 0.024 in		0.6mm; as required
36	3852298	1	Spacer, spring		
37	3852307	1	Lock ring, seal, U-joint assy		
38	3852309	1	Screw, washer, pinion to U-joint assy		
39	3850852	1	Bearing, bearing carrier, pinion		Rear
40	3850853	1	Bearing, pinion to outer carrier		
41	3852296	1	Spring, clutch cone to shaft		
42	3854539	1	Plug		
43	3852563	1	Adjusting washer, thrust plate, 0.015		0.38mm; as required
44	3852561	1	Pressure plate, gear hsg, port		
45	3852562	1	Pressure plate, gear hsg, stbd		
46	3854401	1	Bearing cover, upper gear unit, top		
47	3852567	2	• Insert		5/16" - 18UNC, Short
48	(3854021)	1	Strainer, gear hsg		Obsolete part
49	3855787	1	Shift unit, upper gear hsg		Rear
50	853868	1	• Sealing ring		
51	3856502	1	• Dog		
52	814184	1	• Spring, shift shoe		
53	925093	1	• O-ring, shift actuator		Part of gear hsg seal kit
54	3855785	1	• Bearing housing		
55	973593	1	• Spring pin, 2 x 12		
56	942871	1	• Clevis pin, 5 x 18		
57	3856008	1	• Plunger		
58	897871	1	• Shim		As required
59	897711	1	• Hexagon screw		
60	(3855644)	2	Decal		Obsolete part, SX
	3855645	2	Decal		SX, Diesel
	3855646	2	Decal		DP Duoprop
61	3852329	1	Cube, shift cable to bellcrank		
62	3857218	1	Bracket, shift linkage		
63	3857217	1	Link rod, shift linkage		
64	3852277	1	Bar, shift		
65	3852560	1	Sealing		
66	3856742	4	Screw, shift hsg to upper gear hsg		
67	3852184	1	Washer, trunnion, shift cable to bellcrank		
68	3852193	2	Washer, shift link to bellcrank		
69	3852083	1	Washer, pin, bellcrank to gear hsg		
70	3852280	1	Plate, water passage		
71	3855356	1	Decal		SX
	3855360	1	Decal		SX, Diesel
	3855647	1	Decal		DP Duoprop
72	3852418	1	Cover, upper gear housing		Rear
73	3852568	3	Flange screw, cover		
74	3852294	1	Ring, upper driveshaft		
75	3854480	1	Split pin, trunnion shift cable to bellcrank		
76	3853423	2	Bushing, pivot pin		
77	3853329	6	Nut, drive to pivot hsg		
78	3853424	2	Grommet, pivot pin bushing		
79	3850594	1	Kit, upper gear hsg		
80	3852052	3	Split pin		
81	3852045	1	O-ring, plug, upper gear housing cover		
82	3852272	1	Sealing, u-joint to bearing carrier		
83	3852279	1	Gasket, water passage		
84	3855081	1	O-ring, oil drain plug		
85	941814	4	Stud, water passage		DP-S1

SX-C2, SX-RT2, DP-S1

REF	PART NO.	QTY	DESCRIPTION	SEE SEC.	NOTES
86	941885	4	Lock nut		DP-S1

7749307-44-11280

24554

Upd:2014-05-27