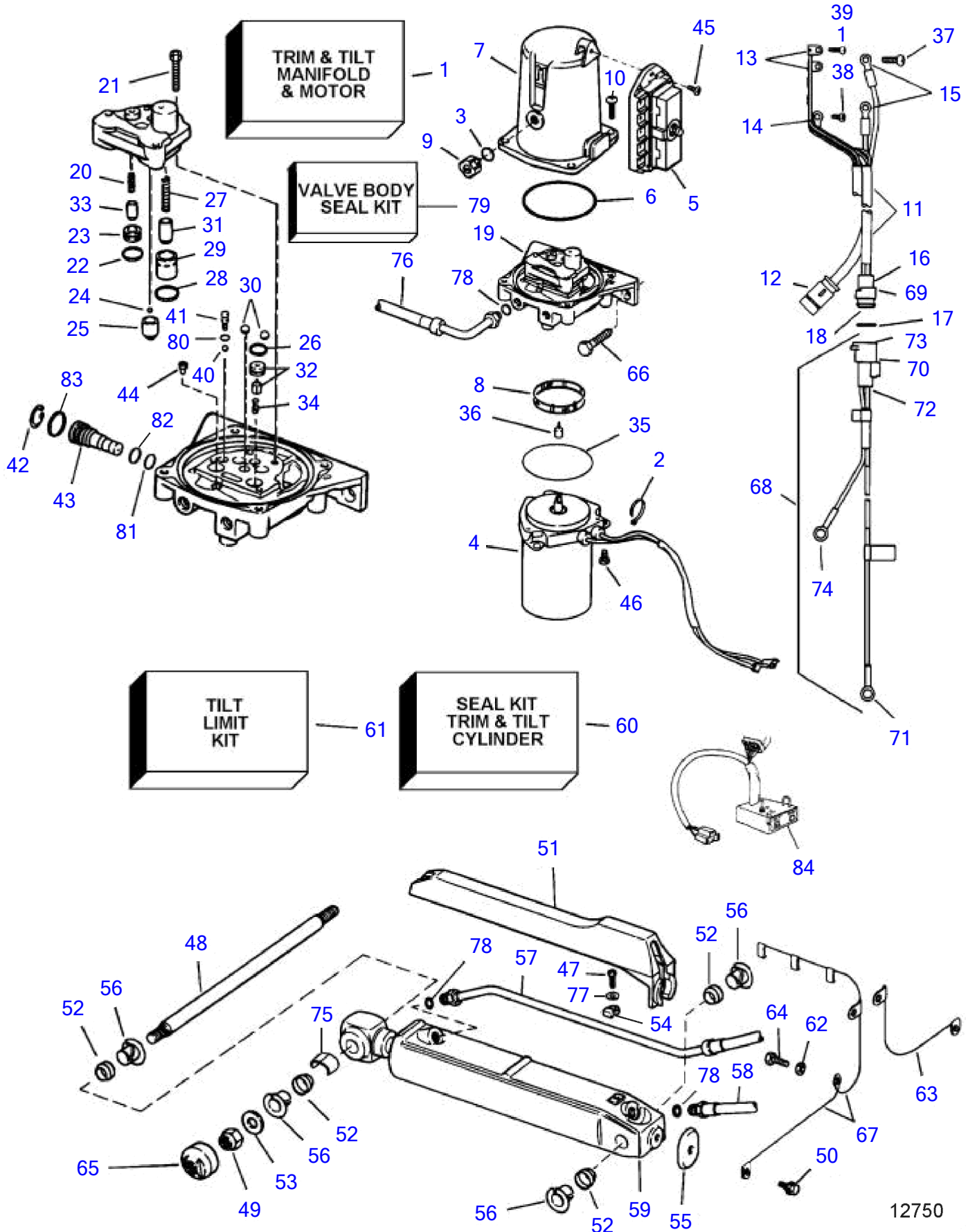


SX-C1, SX-C1AC, SX-R1, SX-R2



SX-C1, SX-C1AC, SX-R1, SX-R2

REF	PART NO.	QTY	DESCRIPTION	NOTES
1	3855745	1	Bracket, trim pump	
2	948211	1	• Cable tie, trim sender leads	
3	3852073	1	• O-ring, plug	
4	3853945	1	• Electrical motor	
5	(3853946)	1	• Relay	Obsolete part
6	(3852508)	1	• O-ring	Obsolete part
7	3853989	1	• Tank	
8	3852974	1	• Filter	
9	3852976	1	• Plug	
10	3852977	4	Screw, reservoir to manifold	
11	3854038	1	• Wiring harness	
12	3852251	1	• • Plug, connector seal	
13	(3852228)	2	• • Cable terminal, side	Obsolete part
14	3852226	1	• • Cable terminal, #8	
15	(3852038)	1	• • Terminal, 0.25	Obsolete part
16	(3852250)	1	• • Terminal, 2 cont plug	Obsolete part
17	3852537	1	• • O-ring	
18	(3852253)	2	• • Terminal, receptacle, 0.312	Obsolete part
19	3853943	1	• Valve housing	
20	(3852578)	1	• Spring	Obsolete part
21	3852983	4	• Screw	
22	3852984	1	• O-ring	
23	3852985	1	• Seat	
24	3852986	2	• Ball, piston	
25	3852987	1	• Piston	
26	3852988	1	• O-ring, piston	
27	3852989	1	• Spring	
28	3852990	1	• O-ring	
29	3852991	1	• Spring seat, valve	
30	(3852023)	2	• Ball, pump inlet	Obsolete part
31	3853803	1	• Valve	
32	(3853947)	2	• Valve	Obsolete part
33	(3853948)	1	• Valve	Obsolete part
34	3852975	2	• Spring	
35	3852166	1	• O-ring	
36	3852982	1	• Pump	
37	3852981	2	• Screw	
38	3852979	3	• Screw	
39	3852980	2	• Screw	
40	3852590	1	• • Ball, manual release	
41	3852993	1	• • Plug, manual release	
42	3852997	1	• • Snap ring	
43	3853944	1	• • Valve, manual release	
44	3853313	1	• • Filter, oil	
45	3852978	1	• Screw, relay to reservoir	
46	3852978	3	Screw, motor to manifold	
47	3852081	2	Screw, retainer, oil line, tilt cyl	
48	3853422	2	Pin, tilt cylinder	
49	3852648	4	Nut, pivot shaft, tilt cylinder	
50	3852568	2	Flange screw, gover, tilt cylinder	
51	(3852378)	2	Cardboard tube, tilt cylinder	Obsolete part
52	3853424	12	Grommet, pivot pin bushing	Part of transom seal kit
53	3852573	4	Washer	
54	(3852579)	2	Retainer, oil line, tilt cylinder	Obsolete part
55	3852681	2	Retainer, cover, tilt cylinder	
56	3853423	8	Bushing, , trim & tilt cylinder	
57	3853856	1	Hydraulic hose, manifold to cyl, port, down	
	3853854	1	Hydraulic hose, manifold to cyl, stbd, down	
58	3853857	1	Oil line, manifold to cyl, port, up	
	3853855	1	Oil line, manifold to cyl, stbd, up	
59	3852414	2	Cylinder	
60	(3854247)	1	Sealing kit, cylinder	Obsolete part
61	3850887	1	Trimming limiter	

7749307-44-10690

12750

Upd:2014-05-27

SX-C1, SX-C1AC, SX-R1, SX-R2

REF	PART NO.	QTY	DESCRIPTION	NOTES
62	3852193	1	Washer	
63	3853849	1	Chassis ground cable, 2-loop	
64	3852050	2	Screw, ground wire to gimbal	
65	3852958	2	Cardboard tube, pivot pin to gimbal	
66	3852581	2	Screw	
67	3853848	1	Chassis ground cable	
68	3854031	1	Wiring harness, trim/tilt	
69	3852251	1	• Plug, connector seal	
70	(3852249)	1	• Connector	Obsolete part
71	(3852527)	1	• Terminal	Obsolete part
72	3852251	1	• Plug, connector seal	
73	(3852252)	2	• Terminal	Obsolete part
74	(3852036)	1	• Terminal	Obsolete part
75	3853421	2	Spring, ground, tilt & trim cylinder	
76	3853825	2	Hydraulic hose, pump to manifold	
77	3852190	2	Washer, retainer, oil line, tilt cyl	
78	3852165	12	O-ring, oil line assy to valve body & tilt cylinder	Part of 3854270
79	3854397	1	Sealing kit, valve body, trim & tilt manifold & motor	
80	3852992	1	• O-ring	
81	3852994	1	• Ring	
82	3852995	1	• O-ring	
83	3852996	1	• O-ring	
84	3855584	1	Control unit	
	(3855648)	2	Decal, Volvo Penta, tilt cylinder	Obsolete part

7749307-44-10690

12750

Upd:2014-05-27