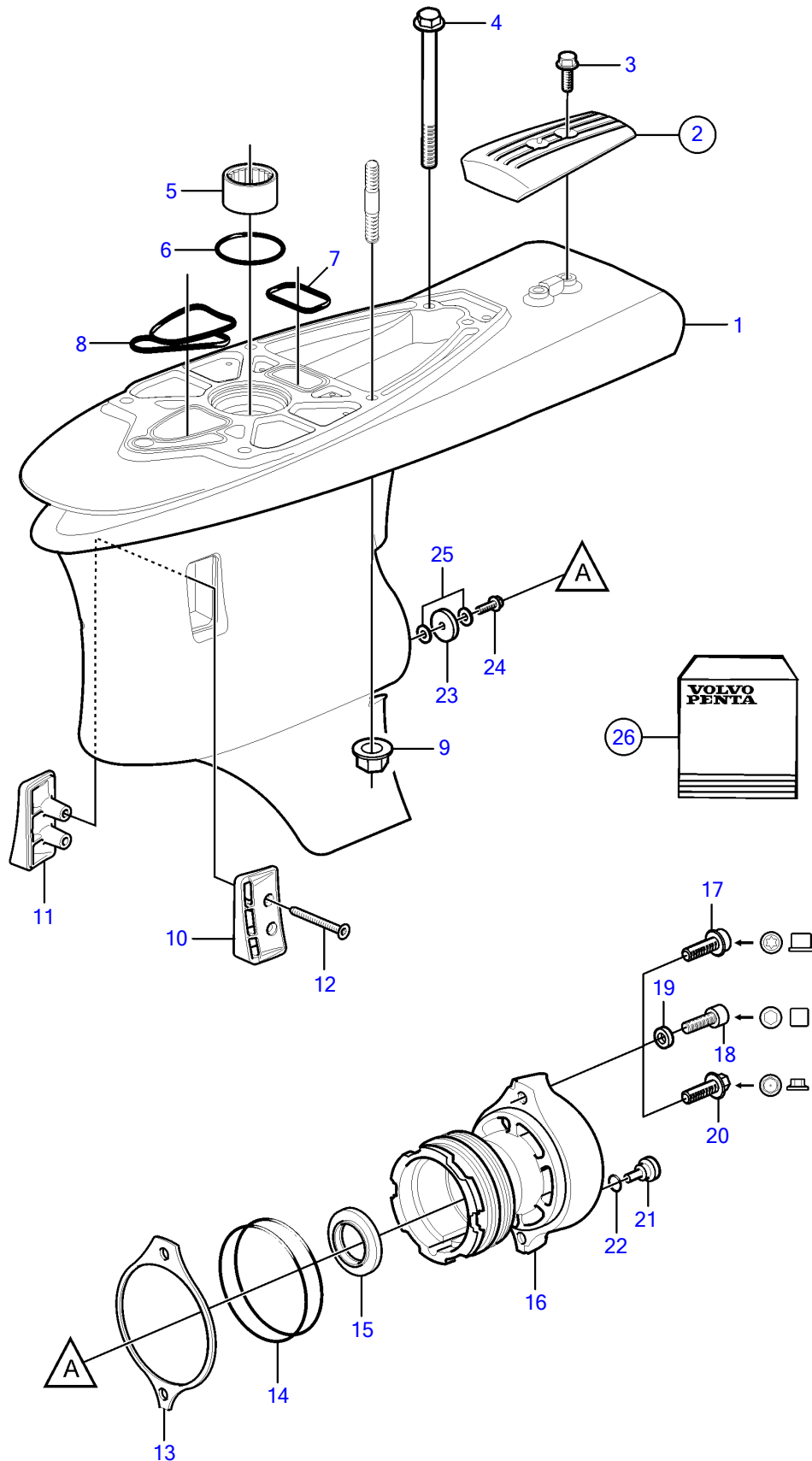


SX-A, SX-A 1.43, SX-A 1.51, SX-A 1.60, SX-A 1.66, SX-A 1.79, SX-A 1.89, SX-A 1.97, SX-A 2.18



23247

SX-A, SX-A 1.43, SX-A 1.51, SX-A 1.60, SX-A 1.66, SX-A 1.79, SX-A 1.89, SX-A 1.97, SX-A 2.18

REF	PART NO.	QTY	DESCRIPTION	SEE SEC.	NOTES
1	3842607	1	Gear housing		replaced by next part number
	21119783	1	Gear housing		
2	3888813	1	Anode kit, aluminum		
	3888814	1	Anode kit, zinc		
	3888815	1	Anode kit, magnesium		
3		2	• Screw		
4	990860	2	Flange screw		
5	3853934	1	Bearing		
6	3852866	1	O-ring		
7	3841968	1	Gasket		replaced by next part number
	3889786	1	Gasket		
8	3841966	1	Gasket		replaced by next part number
	3889784	1	Gasket		
9	984054	4	Flange lock nut		
10	3841960	1	Water inlet		
11	3841962	1	Water inlet		
12	3887570	2	Allen head sunk scre		
13	3887661	1	Shim		TH=0.002"
	3883814	1	Shim		TH=0.003"
	3887699	1	Shim		TH=0.004"
	3883815	1	Shim		TH=0.005"
	3883817	1	Shim		TH=0.010"
	(3883818)	1	Shim		Obsolete part, TH=0.015"
14	925259	2	O-ring		
15	3863090	1	Sealing		
16	3843298	1	Bearing carrier		replaced by next part number
			• Bulletin P-44-1-16	P-44-1-16-EN	Drive Service Kits
16	21141697	1	Bearing carrier		
17		2	Screw, torx		Use 1 ea. 984275 and 1 ea. 3888785 to replace screw.
18	984275	2	Hex. socket screw		
19	3888785	2	Spacer		
20		2	Flange screw		Use 1 ea. 984275 and 1 ea. 3888785 to replace screw.
21	3854539	1	Plug		
22	3855081	1	• O-ring		
23	854096	1	Magnet		
24	990857	1	Flange screw		
25	3852193	2	Washer		
26	3888821	1	Gasket kit	9943	SX-A