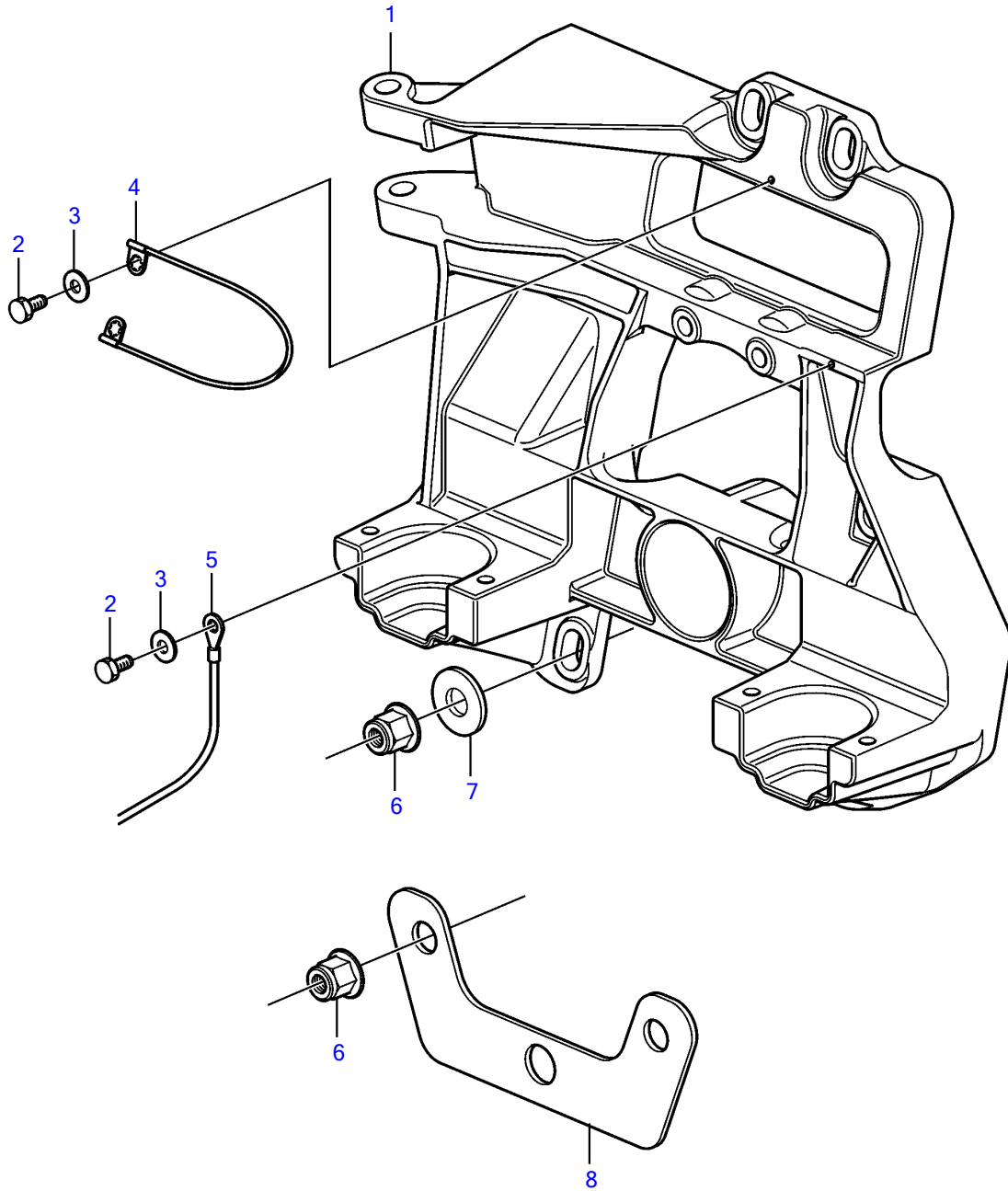


SX-A, TSK-A-42, TSK-A-32, TSK-A-AC-52, TSK-A-AC-42, TSK-A-AC-32, TSK-A-OX-52, TSK-A-OX-42, TSK-A-OX-32



23235

SX-A, TSK-A-42, TSK-A-32, TSK-A-AC-52, TSK-A-AC-42, TSK-A-AC-32, TSK-A-OX-52, TSK-A-OX-42, TSK-A-OX-32

REF	PART NO.	QTY	DESCRIPTION	NOTES
1		X		specification number=388xxxx or 38694xx
	3854605	1	Shield	
2	3852050	2	Screw	
3	3852193	2	Washer	
4	3857347	1	Ground cable	
5	3853927	1	Chassis ground cable	
6	3853329	8	Nut	
7	3852573	6	Washer	
8	3842341	1	Plate	replaced by next part number
	21446681	1	Plate	