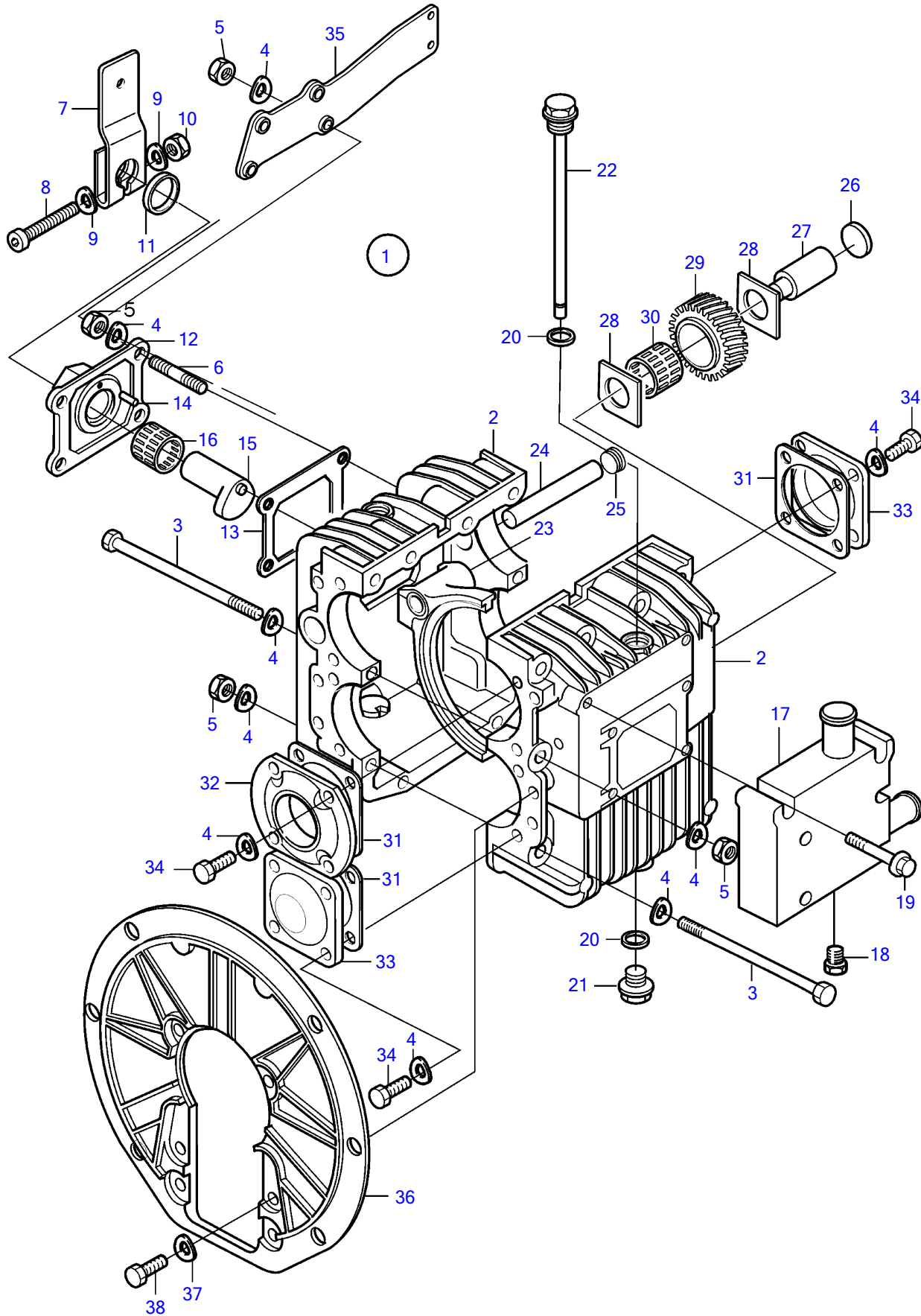


MS25A-A



## MS25A-A

REF	PART NO.	QTY	DESCRIPTION	NOTES
1	3582634	1	Reversing gear	
2	3583534	1	• Housing	
3		10	• Screw	M8x110mm
4	941907	34	• Spring washer	
5	955782	16	• Hexagon nut	
6	980289	4	• Stud	
7	3586320	1	• Engagement lever	(3581965)
8	955298	1	• Hexagon screw	
9	941907	2	• Spring washer	
10	955782	1	• Hexagon nut	
11	3581966	1	• Sealing	
12	3581967	1	• Cardboard tube	
13	3581982	1	• Gasket	
14		1	• Locating pin	
15	3581969	1	• Cam	
16	3582009	2	• Bearing	
17	3581603	1	• Oil cooler	
18	479956	1	• Plug	
19	965180	6	• Flange screw	
20	957179	2	• Gasket	
21	3582174	1	• Plug	
22	3581974	1	• Dipstick	
23	3581971	1	• Gear selector	
24	3581972	1	• Shaft	
25	3581973	1	• Plug	
26	3581976	1	• Plug	
27	(3581977)	1	• Shaft	Obsolete part
28	3581978	2	• Plate	
29	(3581979)	1	• Gear	Obsolete part
30	3581980	1	• Needle bearing	
31	3581981	2	• Gasket	
32	3581963	1	• Bearing	
33	3581964	1	• Cardboard tube	
34	955294	8	• Hexagon screw	
35	3586718	1	• Bracket	(3581525), (3582614)
36	3582305	1	• Cover	
37	941908	6	• Spring washer	
38	970947	6	• Hexagon screw	