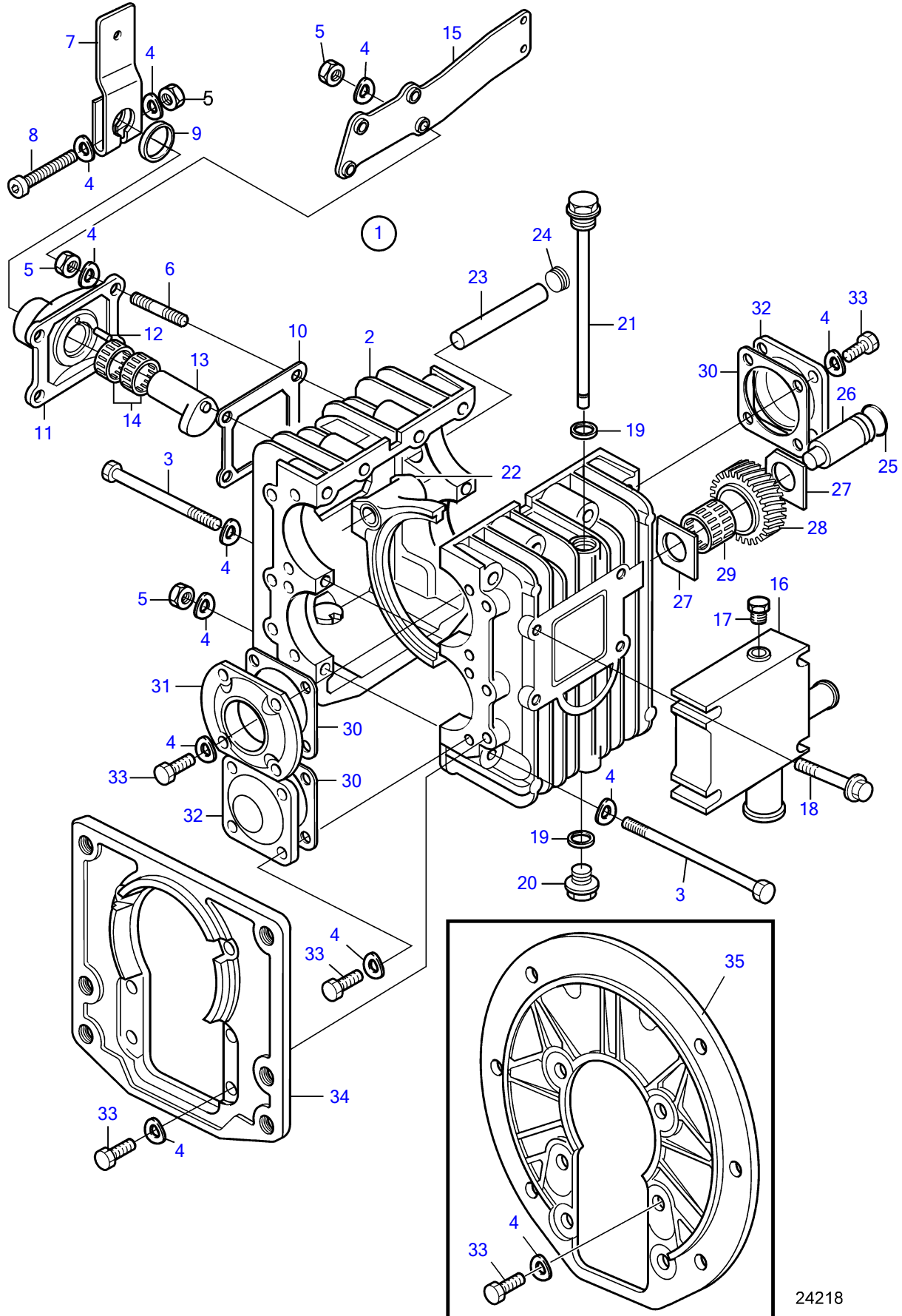


MS15L-A, MS15L-B



MS15L-A, MS15L-B

REF	PART NO.	QTY	DESCRIPTION	NOTES
1	3582389	1	Reversing gear	MS15L-A, ratio 2.14:1
	3809126	1	Reversing gear kit	MS15L-B, ratio 2.14:1
2		1	• Housing	
3	940129	10	• Hexagon screw	
4	941907	38	• Spring washer	
5	955782	12	• Hexagon nut	
6	980289	4	• Stud	
7	3586320	1	• Engagement lever	(3581965)
8	955298	1	• Hexagon screw	
9	3581966	2	• Sealing	
10	3581982	1	• Gasket	
11	3581967	1	• Cardboard tube	
12		1	• Locating pin	
13	3581969	1	• Cam	
14	3582009	2	• Bearing	
15	3586718	1	• Bracket	(3582614)
16	3582641	1	• Oil cooler	
17	479956	1	• Plug	
18	965180	4	• Flange screw	
19	957179	2	• Gasket	
20	3582174	1	• Plug	
21	3582464	1	• Dipstick	
22	3582462	1	• Fork	
23	3582463	1	• Fork shaft	
24	3581973	1	• Plug	
25	3582610	1	• O-ring	
26	3582465	1	• Shaft	
27	3582466	2	• Plate	
28	3582467	1	• Gear	
29	3582468	1	• Needle bearing	
30	3582469	3	• Gasket	
31		1	• Cover	
32		2	• Cover	
33	955294	12	• Hexagon screw	
34	3582615	1	• Plate	
35	3819841	1	Adapter	For MS15L-B