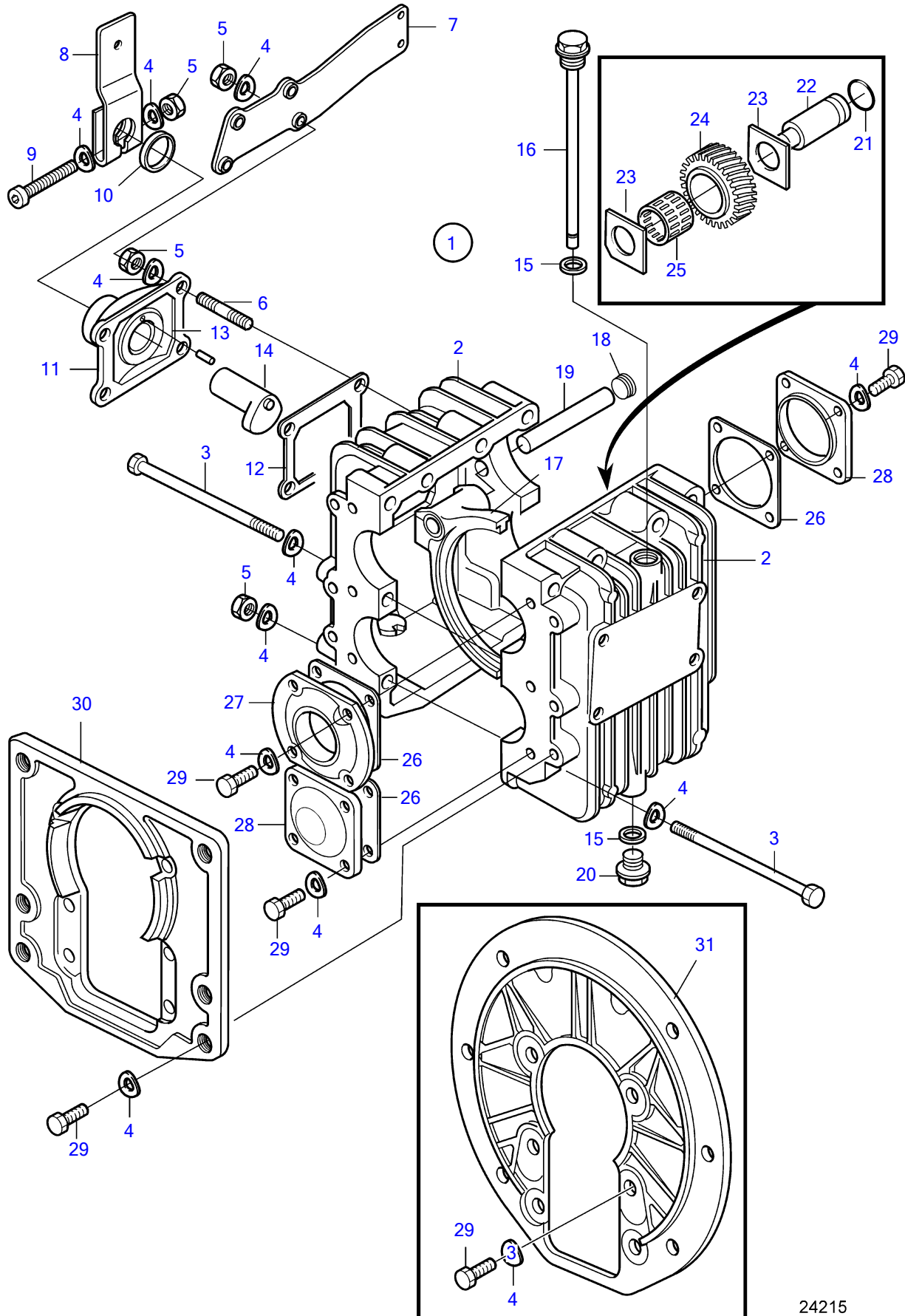


MS10L-A, MS10L-B



24215

## MS10L-A, MS10L-B

REF	PART NO.	QTY	DESCRIPTION	NOTES
1	3582385	1	Reversing gear	MS10L-A, ratio 2.35:1
	3809122	1	Reversing gear kit	MS10L-B, ratio 2.35:1
2		1	• Housing	
3	940129	10	• Hexagon screw	
4	941907	38	• Spring washer	
5	955782	12	• Hexagon nut	
6	980289	4	• Stud	
7	3586718	1	• Bracket	(3582614)
8	3586320	1	• Engagement lever	(3581965)
9	955298	1	• Hexagon screw	
10	3581966	1	• Sealing	
11	3582550	1	• Cover	
12	3581982	1	• Gasket	
13		1	• Locating pin	
14	3581969	1	• Cam	
15	957179	2	• Gasket	
16	3582552	1	• Dipstick	
17	3582551	1	• Shift yoke	
18	3581973	1	• Plug	
19	3582463	1	• Fork shaft	
20	3582174	1	• Plug	
21	3582630	1	• O-ring	
22	3582553	1	• Shaft	
23	3582554	2	• Plate	
24	3582555	1	• Gear	
25	3582556	1	• Cage	
26	3582557	4	• Gasket	
27	3582547	1	• Cover	
28	3582549	2	• Cover	
29	955294	18	• Hexagon screw	
30	3582615	1	• Plate	
31	3819841	1	Adapter	For MS10L-B