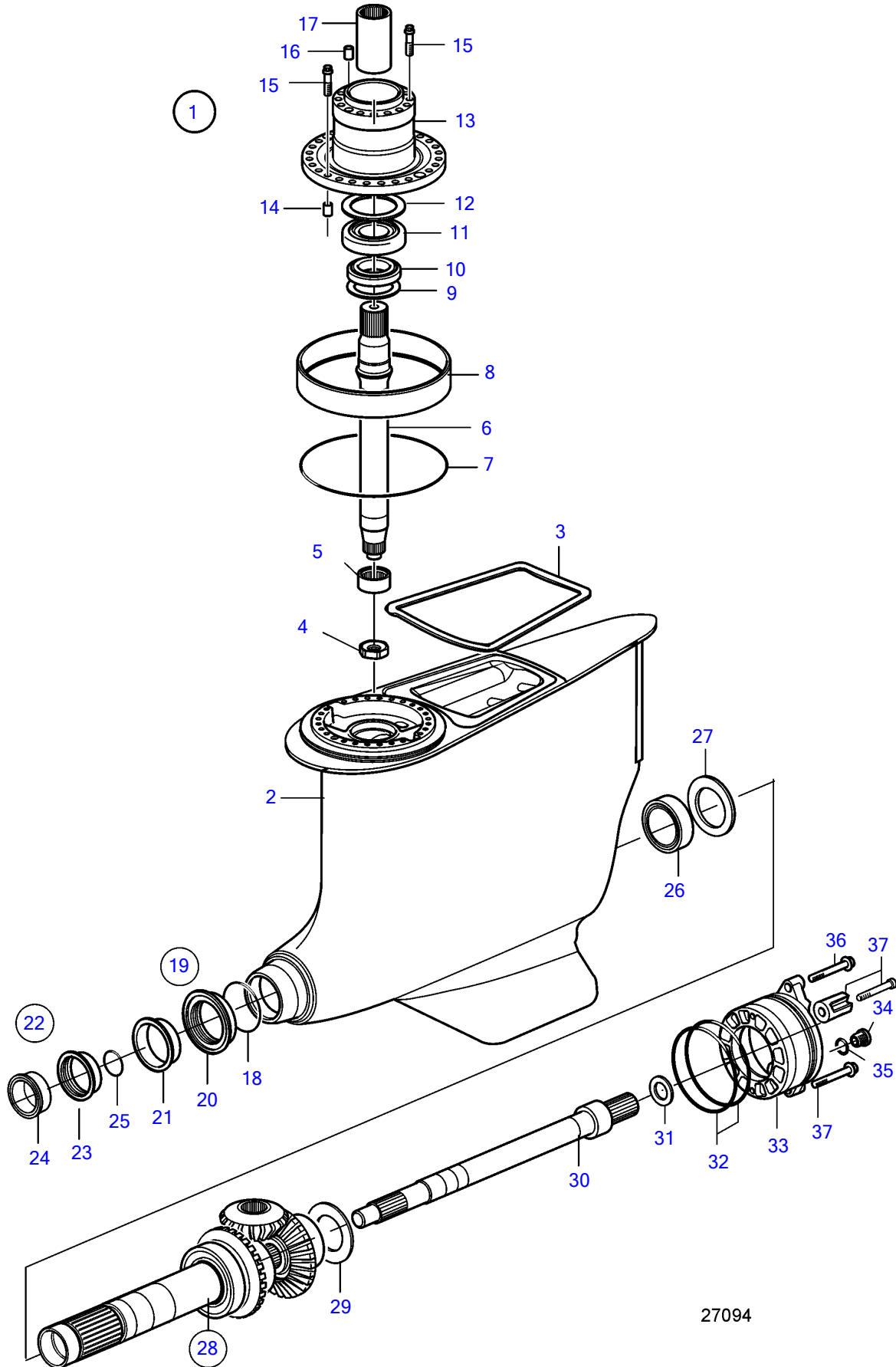


IPS2-A



27094

IPS2-A

REF	PART NO.	QTY	DESCRIPTION	NOTES
1	3801240	1	Lower gear	Ratio 1.59:1
	3801473	1	Lower gear	Ratio 1.70:1
2	(3818419)	1	• Gear housing	Obsolete part
3	3840978	1	• Sealing ring	
4	3840628	1	• Nut	
5	183859	1	• Needle roller bushin	
6	3840633	1	• Shaft	
7	992376	1	• O-ring	
8	21965725	1	• Ring	
9	991097	X	• Shim	
	991098	X	• Shim	
	991099	X	• Shim	
10	991173	1	• Roller bearing	
11	184660	1	• Roller bearing	
12	991100	X	• Shim	TH=0,10mm
	991101	X	• Shim	TH=0.15mm
	991102	X	• Shim	TH=0.35mm
13	3818633	1	• Steering head	
14	3862569	1	• Guide sleeve	
15	3860364	26	• Screw	
16	3862569	1	• Guide sleeve	
17	21697729	1	• Splined sleeve	
18	949647	1	• • O-ring	
19	21441235	1	• Sealing	
20		1	• • Sealing	
21		1	• • Sleeve	
22	21441233	1	• Sealing	
23		1	• • Sealing	
24		1	• • Sleeve	
25	976043	1	• O-ring	
26	993987	1	• Needle roller bearin	
27	991008	X	• Shim	TH=0,10mm
	991009	X	• Shim	TH=0.15mm
	991010	X	• Shim	TH=0.35mm
28	21584141	1	• Gear set	Ratio 1.59:1
	21757311	1	• Gear set	Ratio 1.70:1
29	991005	X	• Shim	TH=0,10mm
	991006	X	• Shim	TH=0.15mm
	991007	X	• Shim	TH=0.35mm
30	3819139	1	• Shaft	
31	3840474	X	• Adjusting washer	2.85mm; as required
	3840475	X	• Adjusting washer	2.90mm; as required
	3840476	X	• Adjusting washer	3.00mm; as required
	3840477	X	• Adjusting washer	3.05mm; as required
	3848749	X	• Adjusting washer	3.15mm; as required
32	975315	2	• O-ring	
33	(3818421)	1	• Bearing box	Obsolete part
34	949656	1	• O-ring	
35	3847669	1	• Plug	
36	991609	2	• Flange screw	
37	3593981	1	• Anode kit, cast iron	

7749180-44-35621

27094

Upd:2014-11-11

IPS2-A

**VOLVO**  
**PENTA**