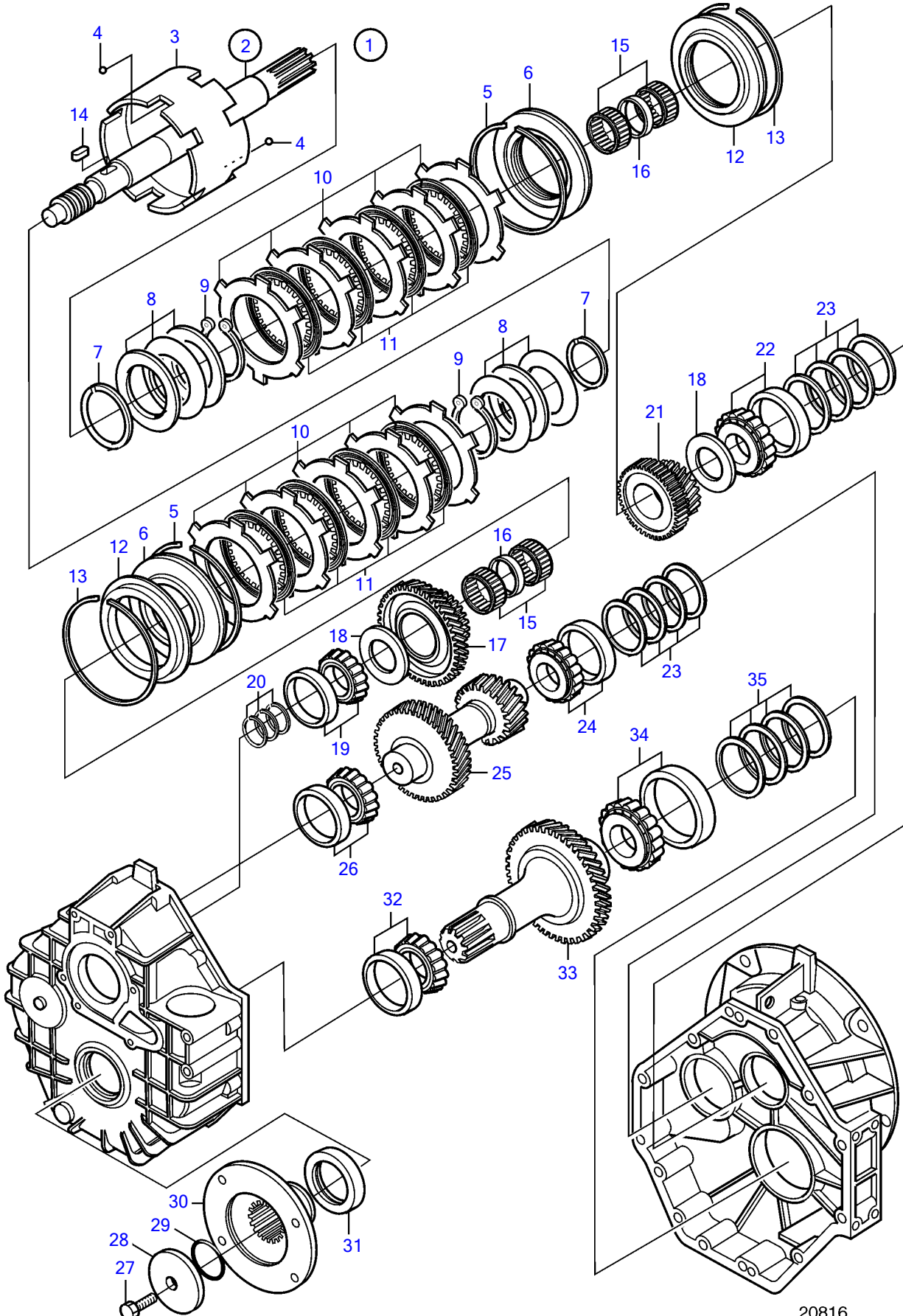


HS80AE-A



20816

Upd:2014-11-26

20816

7748710-44-7553

## HS80AE-A

REF	PART NO.	QTY	DESCRIPTION	NOTES
1	3885952	1	Reversing gear kit	Ratio 1.57:1
	3885954	1	Reversing gear kit	Ratio 1.96:1
	3885958	1	Reversing gear kit	Ratio 2.50:1
2	3584182	1	• Input shaft	
3	3584198	1	• • Input shaft	
4	3582113	2	• • • Ball	
5	3817769	2	• • • Piston ring	
6	3582107	2	• • • Piston	
7	3582111	2	• • • Ring	
8	3584029	6	• • • Spring	
9	(3582116)	2	• • • Snap ring	Obsolete part
10	3582101	10	• • • Disc	replaced by next part number
	3817765	10	• • • Steel disc	
11	3817766	8	• • • Friction disc	
12	3582105	2	• • • Disc	
13	3582103	2	• • • Snap ring	
14	3582089	1	• Key	
15	3582177	4	• Bearing	
16	3584191	2	• Spacer	
17	3584192	1	• Gear	
18	3584180	2	• Ring	
19	183648	1	• Roller bearing	
20	3582087	3	• Piston ring	
21	3584384	1	• Gear	Ratio 1.57:1
	3584192	1	• Gear	Ratio 1.96:1
	3584195	1	• Gear	Ratio 2.50:1
22	3584387	1	• Bearing	
23	3584183	X	• Shim	TH=0.10mm
	3584184	X	• Shim	TH=0.15mm
	3584185	X	• Shim	TH=0,20mm
	3584186	X	• Shim	TH=0,50mm
	3584187	X	• Shim	TH=1,00mm
24	11137	1	• Roller bearing	
25	3584385	1	• Countershaft	Ratio 1.57:1
	3584193	1	• Countershaft	Ratio 1.96:1
	3584196	1	• Countershaft	Ratio 2.50:1
26	184083	1	• Roller bearing	
27	955365	1	• Hexagon screw	
28	3584179	1	• Washer	
29	3584178	1	• O-ring	
30	3584177	1	• Flange	
31	3584172	1	• Sealing	
32	11075	1	• Roller bearing	
33	3584386	1	• Output shaft	Ratio 1.57:1
	3584194	1	• Output shaft	Ratio 1.96:1
	3584197	1	• Output shaft	Ratio 2.50:1
34	(184694)	1	• Roller bearing	Obsolete part
35	3584188	X	• Shim	TH=0.10mm
	3584189	X	• Shim	TH=0.15mm
	3584190	X	• Shim	TH=0,30mm