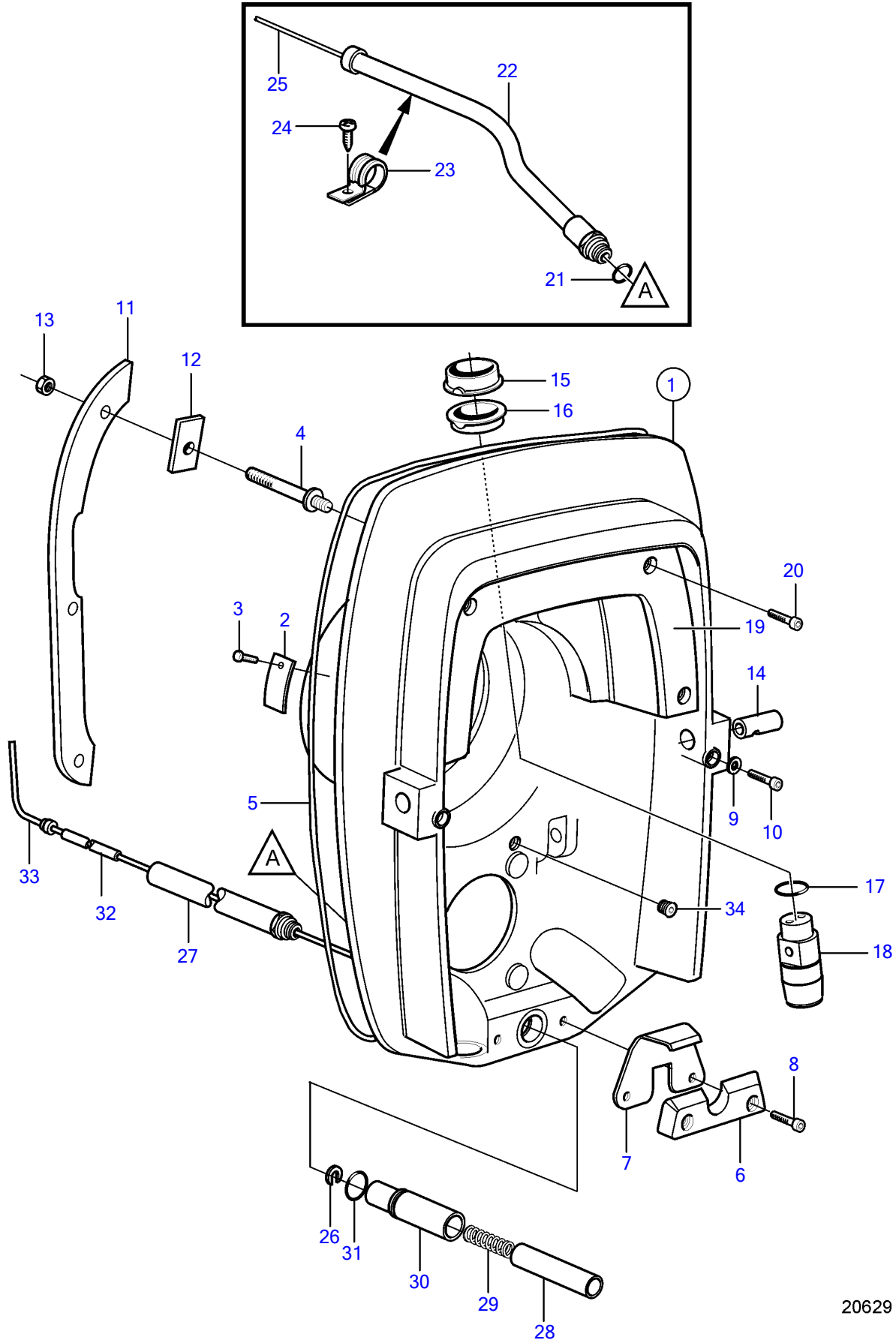


DPX-R



20629

DPX-R

REF	PART NO.	QTY	DESCRIPTION	NOTES
1	872662	1	Shield	
2	853706	1	Type plate	
3	804269	2	Drive screw	
4	873316	6	Stud	
5	852868	1	Sealing strip	L=1750mm
6	872139	1	Zinc electrode	
7	872963	1	Support plate	
8	946541	2	Hex. socket screw	
9	941670	2	Washer	
10	963699	2	Hex. socket screw	
11	3856370	1	Plate	Port
	3856370	1	Plate	Gas, Starboard
	3858672	1	Plate	Diesel, Starboard
12	852866	1	Washer	Diesel, Starboard, Lower
13	963108	6	Lock nut	
14	872493	2	Spindle	
15	854705	1	Bushing	
16	854704	1	Bushing	
17	977313	1	Sealing ring	
18	872956	1	Grommet	
19	872971	1	Modesty panel	
20	873188	4	Screw	
21	897745	1	Gasket	
22	839091	1	Protecting hose	
23	952635	1	Clamp	
24	955512	1	Hexagon screw	
25		X	Control cable	
26	872962	1	Washer	
27	872669	1	Hose	
28	872667	1	Piston	
29	872668	1	Spring	
30	873246	1	Pipe	
31	979668	1	• O-ring	
32	961662	1	Hose clamp	
33		X	Control cable	
34	853215	2	Plug	