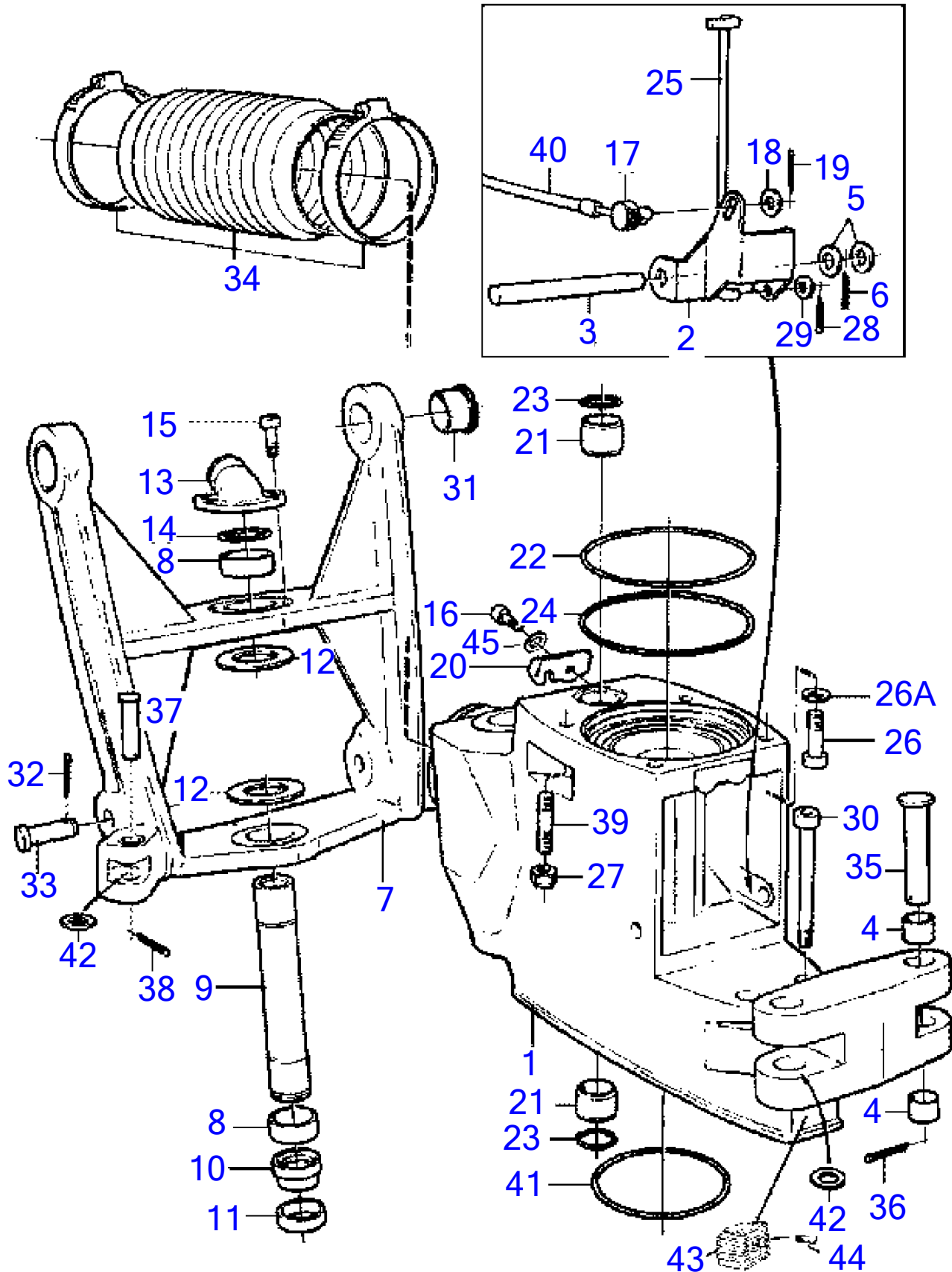


DPX-R 1.47, DPX-R 1.51, DPX-R 1.59, DPX-R 1.68, DPX-R 1.78



DPX-R 1.47, DPX-R 1.51, DPX-R 1.59, DPX-R 1.68, DPX-R 1.78

REF	PART NO.	QTY	DESCRIPTION	NOTES
1	3856522	1	Housing	
2	872977	1	• Yoke	
3	897447	1	• Shaft	
4	873109	4	• Bearing bushing	
5	897511	2	• Washer	
6	17253	1	• Split pin	
7		1	Fork	
8	872756	2	• Bearing bushing	
9	872753	1	Steering knuckle	
10	873534	1	Retainer	
11	872755	1	Sealing ring	
12	872754	2	Thrust washer	
13	872752	1	Hose connection	
14	979254	1	O-ring	
15	940169	2	Hexagon screw	
16	940168	2	Hexagon screw	
17	804312	1	Cube	
18	940191	1	Washer	
19	17276	1	Split pin	
20	872940	1	Cable attachment	
21	872986	2	Sleeve	
22	925259	1	O-ring	
23	125017	2	O-ring	
24	941826	1	Shim, 0.05 mm	As required
	941827	1	Shim, 0.20 mm	As required
	948230	1	Shim, 0.35 mm	As required
25	872822	1	Control rod	
26	959456	2	Hex. socket screw	
26A	853095	2	Washer	
27	941885	2	Lock nut	
28	17253	1	Split pin	
29	940191	1	Washer	
30	941808	3	Hex. socket screw	
31	876507	1	Bushing kit	
32	872126	2	Clevis pin	
33	967707	2	Split pin	
34	876631	1	Bellows kit	As required
	872531	2	• Hose clamp	
35	3851604	2	Clevis pin	
36	967707	2	Split pin	
37	872922	2	Pin	
38	979874	2	Split pin	
39	977241	2	Stud	
40		1	Control cable	As required
41	925256	1	O-ring	
42	873352	4	Washer	
43	873395	1	Zinc electrode	
44	963684	2	• Hex. socket screw	
45	940191	1	Washer	