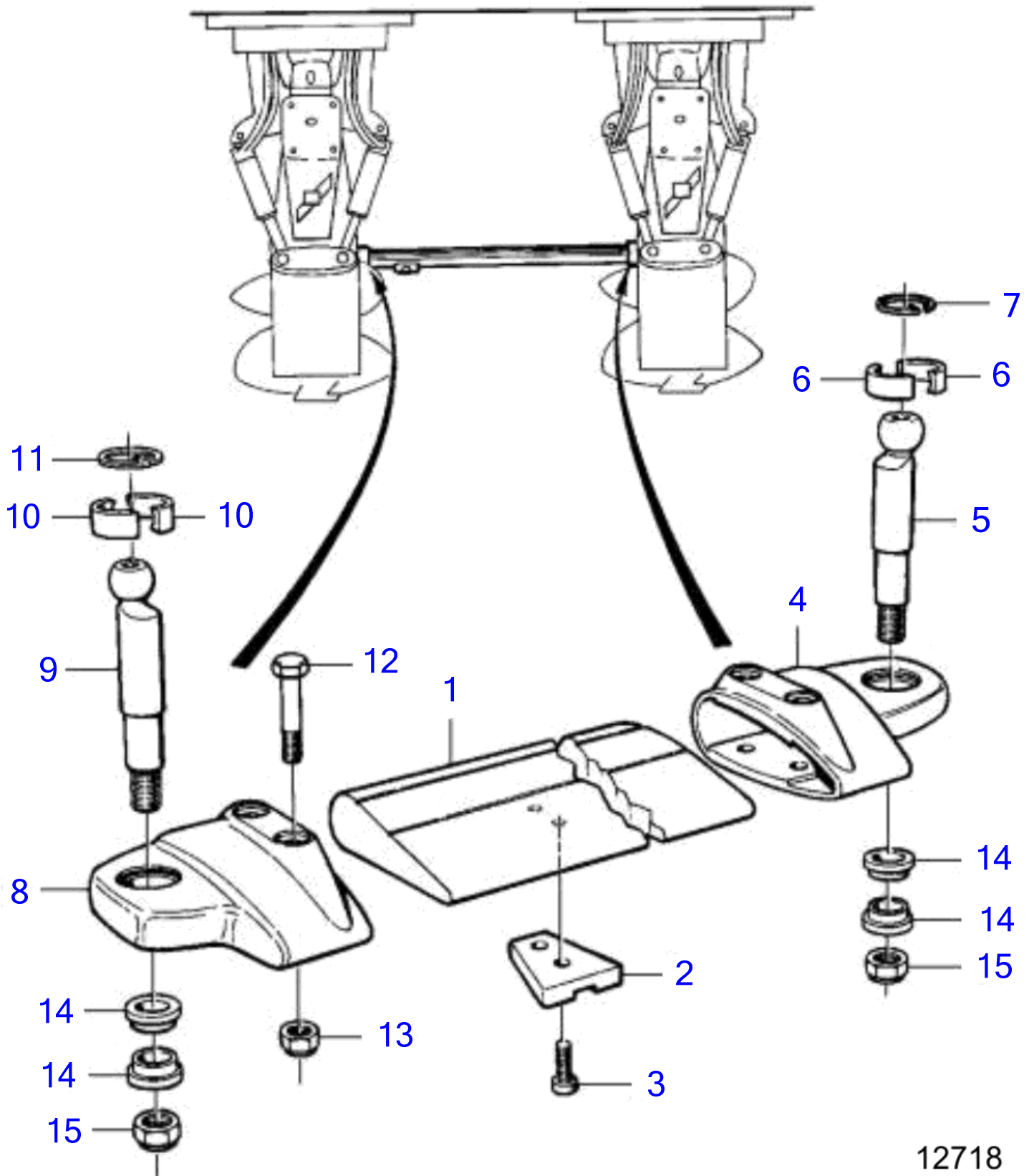


DPX-R



12718

DPX-R

REF	PART NO.	QTY	DESCRIPTION
1		1	Stay
2	876638	1	• Zinc electrode
3	963684	2	• • Hex. socket screw
4	872972	1	Link, starboard
5	872497	1	Ball joint
6	872349	2	Ball socket
7	872713	1	Snap ring
8	873121	1	Link, port
9	872497	1	Ball joint
10	872349	2	Ball socket
11	872713	1	Snap ring
12	873218	4	Screw
13	873219	4	Lock nut
14	872348	4	Washer
15	873220	2	Lock nut