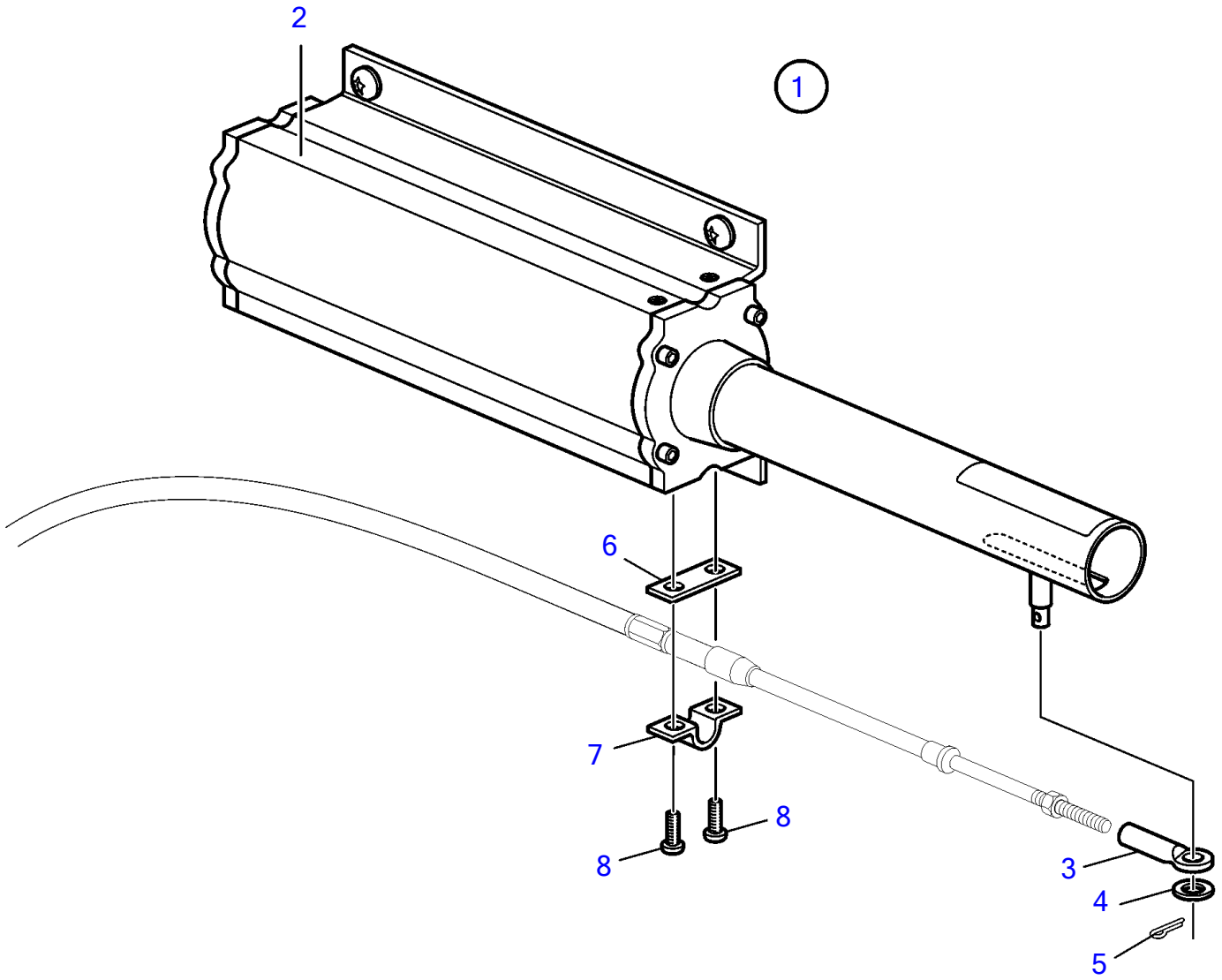


DPH-D, DPR-D



24272

DPH-D, DPR-D

REF	PART NO.	QTY	DESCRIPTION	NOTES
1	3817496	1	Actuator	Replaced by 21146097
	21146097	1	Actuator	Replaced by 21505553
	21505553	1	Actuator	
2		1	• Actuator	
3	3850941	1	• Adapter	
4	940191	1	• Washer	
5	17253	1	• Split pin	
6	819068	1	• Washer	
7	21471054	1	• Bracket	
8	973155	2	• 6 point socket screw	