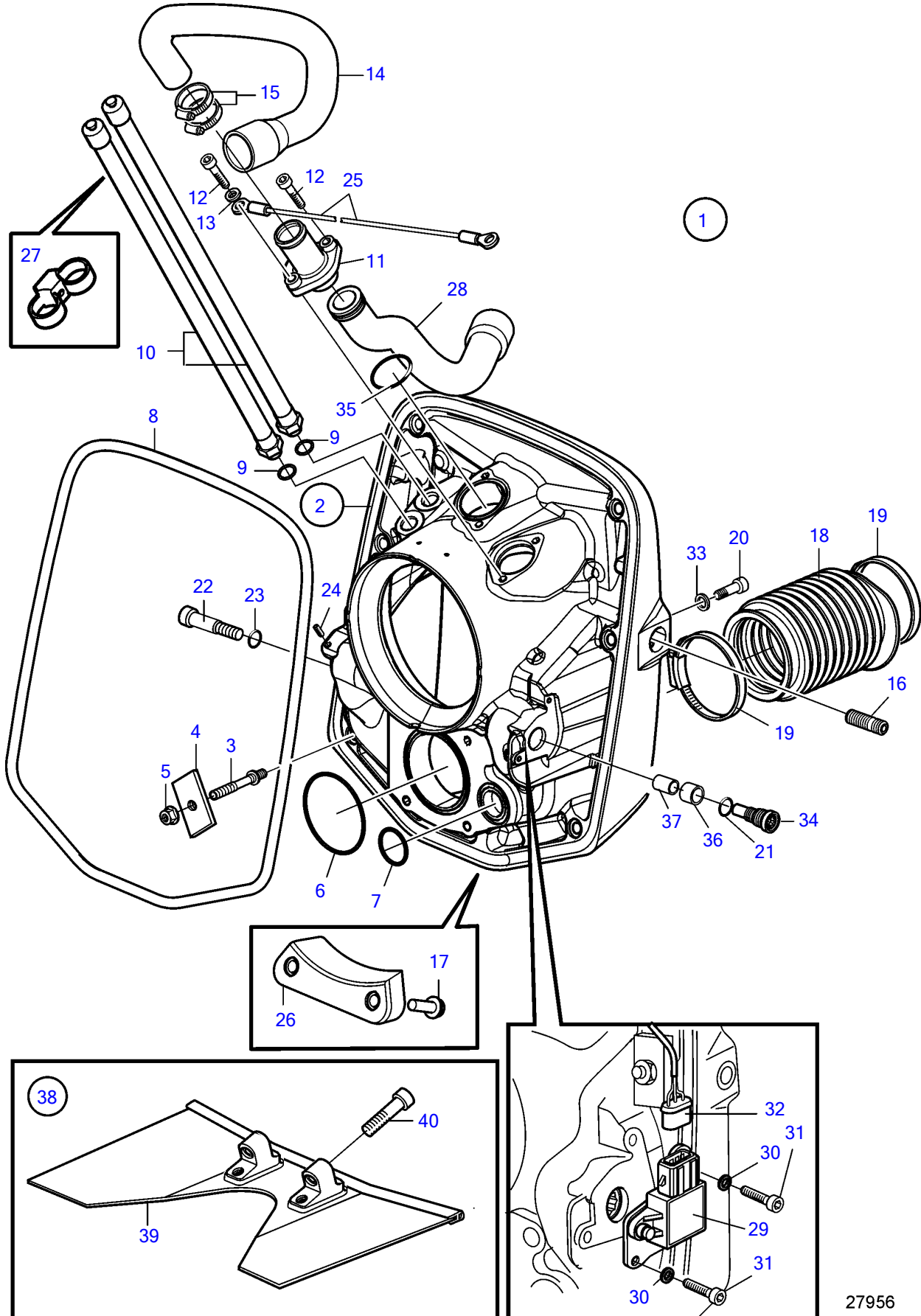


TSK DPH-B, DPH-C, DPR-B, DPR-C



Upd:2015-04-13

27956

27956

7744790-44-7750

TSK DPH-B, DPH-C, DPR-B, DPR-C

REF	PART NO.	QTY	DESCRIPTION	SEE SEC.	NOTES
1	21857917	1	Transom shield		Single
	21857918	1	Transom shield		Port
	21857919	1	Transom shield		Stbd
	(21857921)	1	Transom shield		Obsolete part, Joystick
2	3809881	1	• Shield		
3	873316	6	• • Stud		
4	852866	6	• • Washer		
5	963108	6	• • Lock nut		
6	925259	1	• • O-ring		
7	925068	1	• • O-ring		
8	3862353	1	• • Sealing		
9	3852537	2	• O-ring		
10	3856800	2	• Hose		
11	3863303	1	• Pipe		
12	946541	2	• Hex. socket screw		
13	941670	1	• Washer		
14	3808170	1	• Hose		
15	961670	2	• Hose clamp		
16	3862810	2	• Spindle		
17	984257	2	• 6 point socket screw		
18	3588753	1	• Exhaust bellows		
19	853012	2	• • Hose clamp		
20	984258	2	• 6 point socket screw		
21	975664	1	• O-ring		
22	3862809	1	• Pivot pin		
23	976107	1	• O-ring		
24	984390	1	• Set screw		
25	3863269	1	• Ground cable		
26	3588745	1	• Anode kit, zinc anode		
	3588768	1	Anode kit, magnesium anode		
	3588770	1	Anode kit, aluminum anode		
27	3850115	1	Retainer		
28	3588767	1	Kit		
29	3818189	1	Service kit, trim		
30	940275	2	Washer		
31	963675	2	Hex. socket screw		
32	3809539	1	Wiring harness		
33	941670	2	Washer		
34	3809887	1	Pivot pin		
35	925092	1	O-ring		
36	3863092	1	Bushing		
37	3863093	1	Bushing		
38	21119437	1	Plate		Dead rise angle 15-17 degrees and x measurement 348mm
			• Bulletin P-44-1-17	P-44-1-17-EN	New Anti-spray Plates for DPH Twin installations
38	21119438	1	Plate		Dead rise angle 18-20 degrees and x measurement 348mm
			• Bulletin P-44-1-17	P-44-1-17-EN	New Anti-spray Plates for DPH Twin installations
38	21119439	1	Plate		Dead rise angle 21-23 degrees and x measurement 348mm
			• Bulletin P-44-1-17	P-44-1-17-EN	New Anti-spray Plates for DPH Twin installations
38	21119440	1	Plate		Dead rise angle 16,5 degrees and x measurement 364mm
			• Bulletin P-44-1-17	P-44-1-17-EN	New Anti-spray Plates for DPH Twin installations
39	21119437	1	• Plate		
			• Bulletin P-44-1-17	P-44-1-17-EN	New Anti-spray Plates for DPH Twin installations
40	984258	2	• 6 point socket screw		