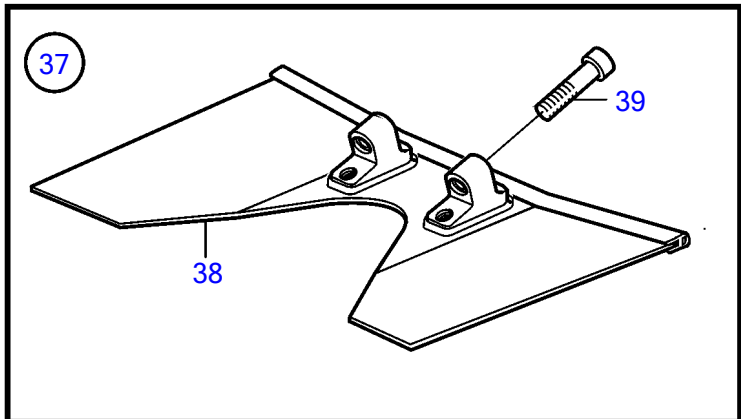
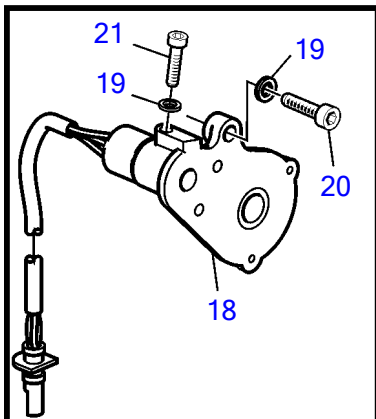
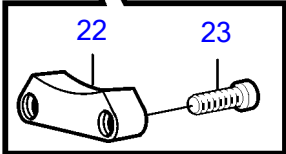
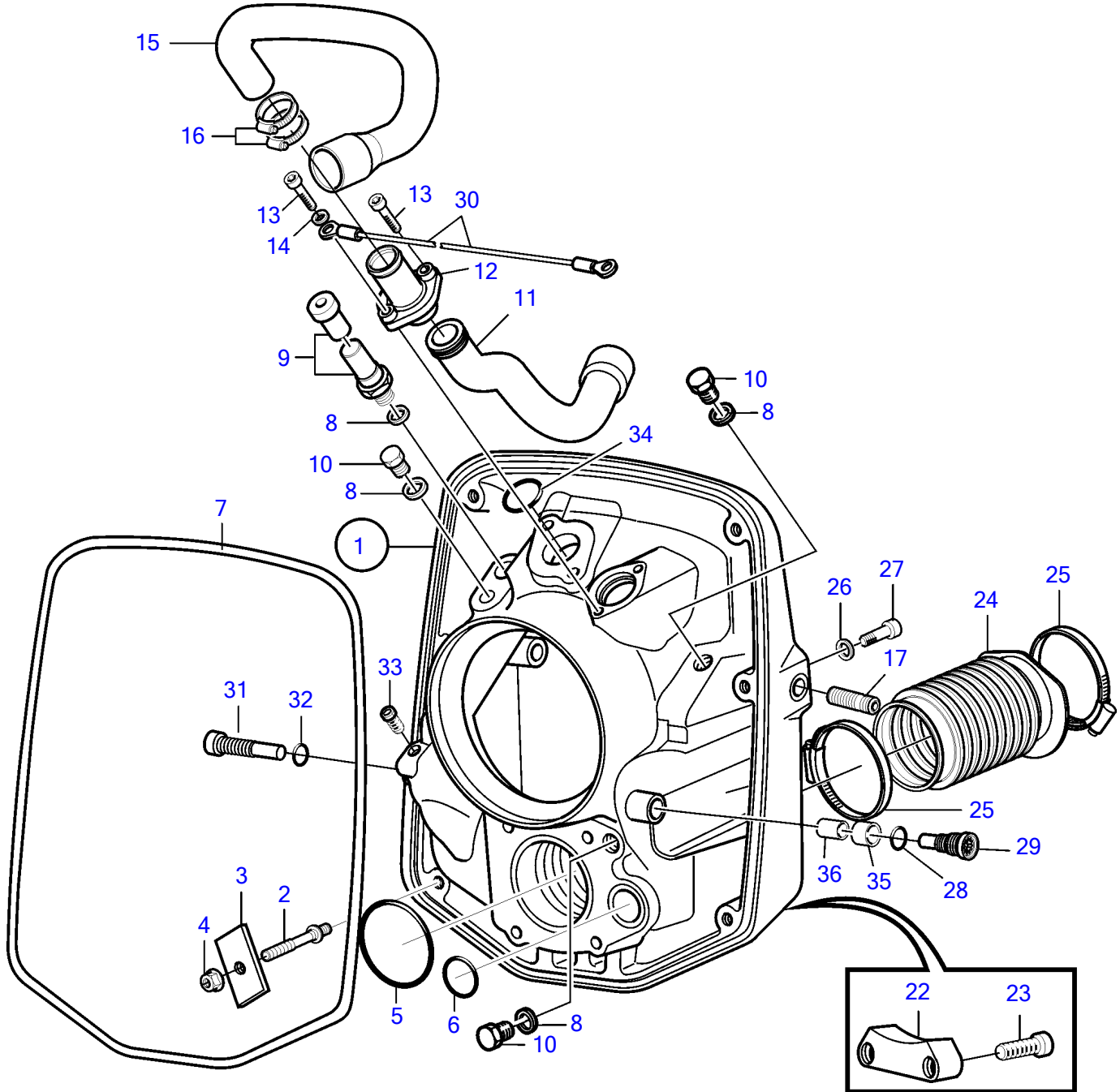


DPH-A, DPR-A



24975

Upd:2015-04-13

24975

7744790-44-6264

DPH-A, DPR-A

REF	PART NO.	QTY	DESCRIPTION	SEE SEC.	NOTES
1	3809881	1	Shield		
2	873316	6	• Stud		
3	852866	6	• Washer		
4	963108	6	• Lock nut		
5	925259	1	• O-ring		
6	925068	1	• O-ring		
7	3862353	1	• Sealing		
8	3852537	4	O-ring		
9	3856800	2	Hose		
10	984053	2	Plug		
11	3588767	1	Kit		
12	3863303	1	Pipe		
13	946541	2	Hex. socket screw		
14	941670	1	Washer		
15	3808170	1	Hose		(3863345)
16	22274885	2	Hose clamp		
17	3862810	2	Spindle		
18	3809335	1	Service kit, trim		
19	940275	2	Washer		
20	963675	1	Hex. socket screw		
21	3587308	1	Set screw		
22	3588745	1	Anode kit, zinc anode		
	3588768	1	Anode kit, magnesium anode		
	3588770	1	Anode kit, aluminum anode		
23	984257	2	6 point socket screw		
24	3588753	1	Exhaust bellows		
25	853012	2	• Hose clamp		
26	941670	2	Washer		
27	984258	2	6 point socket screw		
28	975664	1	O-ring		
29	3862683	1	Pivot pin		
30	3863269	1	Ground cable		
31	3862809	1	Pivot pin		
32	976107	1	O-ring		
33	984390	1	Set screw		
34	925092	1	O-ring		
35	3863092	1	Bushing		
36	3863093	1	Bushing		
37	21119437	1	Plate		Dead rise angle 15-17 degrees and x measurement 348mm
			• Bulletin P-44-1-17	P-44-1-17-EN	New Anti-spray Plates for DPH Twin installations
37	21119438	1	Plate		Dead rise angle 18-20 degrees and x measurement 348mm
			• Bulletin P-44-1-17	P-44-1-17-EN	New Anti-spray Plates for DPH Twin installations
37	21119439	1	Plate		Dead rise angle 21-23 degrees and x measurement 348mm
			• Bulletin P-44-1-17	P-44-1-17-EN	New Anti-spray Plates for DPH Twin installations
37	21119440	1	Plate		Dead rise angle 16,5 degrees and x measurement 364mm
			• Bulletin P-44-1-17	P-44-1-17-EN	New Anti-spray Plates for DPH Twin installations
38	21119437	1	• Plate		
			• Bulletin P-44-1-17	P-44-1-17-EN	New Anti-spray Plates for DPH Twin installations
39	984258	2	• 6 point socket screw		