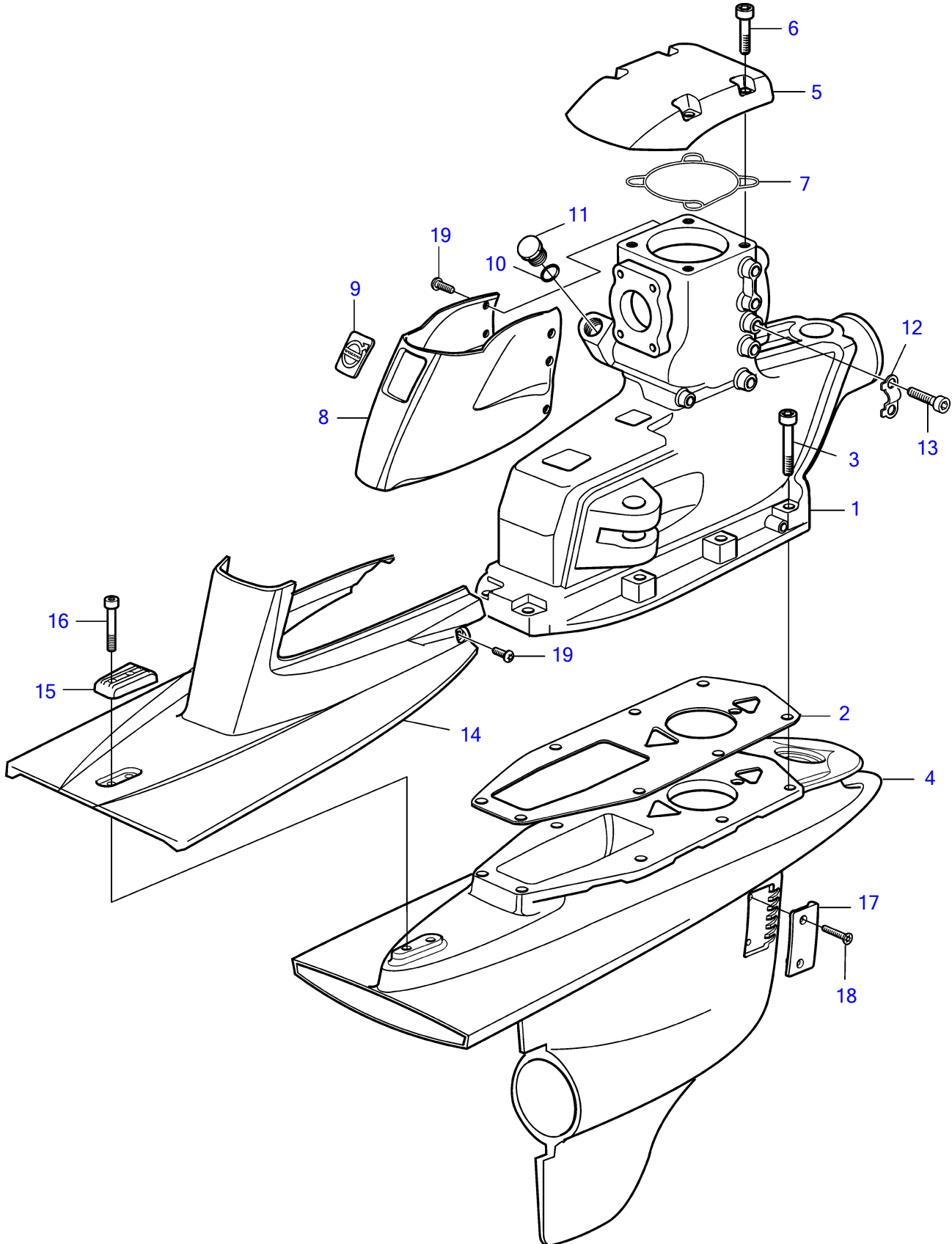


DPH-C



## DPH-C

REF	PART NO.	QTY	DESCRIPTION	NOTES
1	21433429	1	Upper gear	Upper
2	3862249	1	• Gasket	
3	984260	8	• 6 point socket screw	L=18mm
4	21511576	1	Gear housing	Lower
5	3849266	1	Cover	
6	984257	4	6 point socket screw	L=25mm
7	3862252	1	Sealing ring	
8	3808265	1	Cover	
9	3887432	1	• Decal	
10	949656	1	O-ring	
11	22210056	1	Plug	
	22210058	1	Plug	Ratio 1.59:1
12	3862365	1	Retainer	
13	984298	2	6 point socket screw	L=20mm
14	3863109	1	Baffle plate	
15	3588746	1	Anode kit, zinc anode	
	3588750	1	Anode kit, magnesium anode	
	3588748	1	Anode kit, aluminum anode	
16	984258	2	6 point socket screw	L=40mm
17	3863104	1	Water inlet	
	3863105	1	Water inlet	
18	984299	2	6 point socket screw	L=30mm
19	984298	8	6 point socket screw	L=20mm