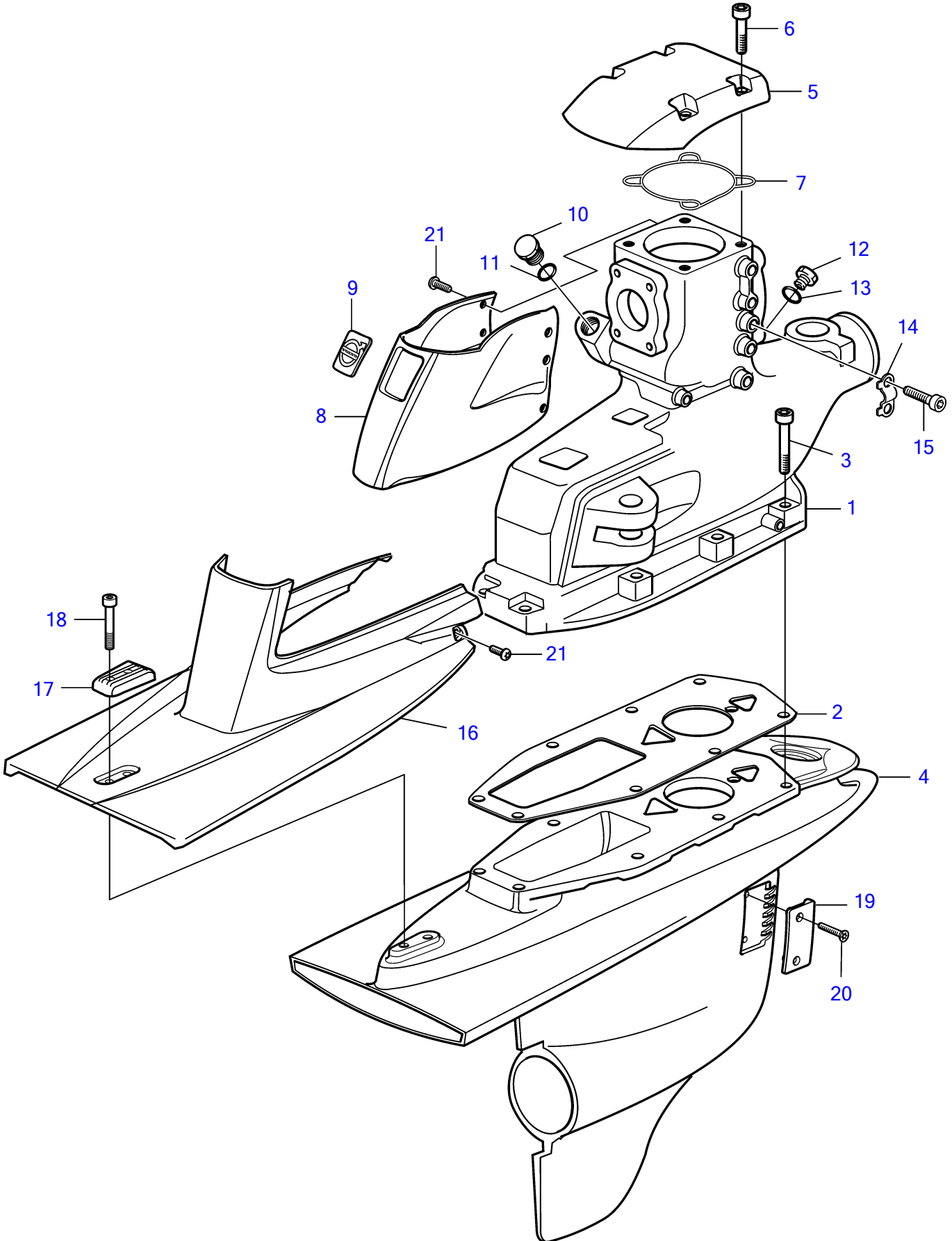


DPH-A, TSK DPH-B



DPH-A, TSK DPH-B

REF	PART NO.	QTY	DESCRIPTION	NOTES
1	3862787	1	Housing	Upper, Replaced by 3809385
	3809385	1	Housing	Upper
2	3862249	1	• Gasket	
3	984260	8	• 6 point socket screw	L=18mm
4	3863049	1	Housing	Lower
5	3849266	1	Cover	
6	984257	4	6 point socket screw	L=25mm
7	3862252	1	Sealing ring	
8	3808265	1	Cover	
9	3887432	1	• Decal	
10	22210056	1	Plug	
11	949656	1	O-ring	
12	984053	1	Plug	
13	964114	1	O-ring	
14	3862365	1	Retainer	
15	984298	2	6 point socket screw	L=20mm
16	3863109	1	Baffle plate	
17	3588746	1	Anode kit, zinc anode	
	3588750	1	Anode kit, magnesium anode	
	3588748	1	Anode kit, aluminum anode	
18	984258	2	6 point socket screw	L=40mm
19	3863104	1	Water inlet	
	3863105	1	Water inlet	
20	984299	2	6 point socket screw	L=30mm
21	984298	8	6 point socket screw	L=20mm