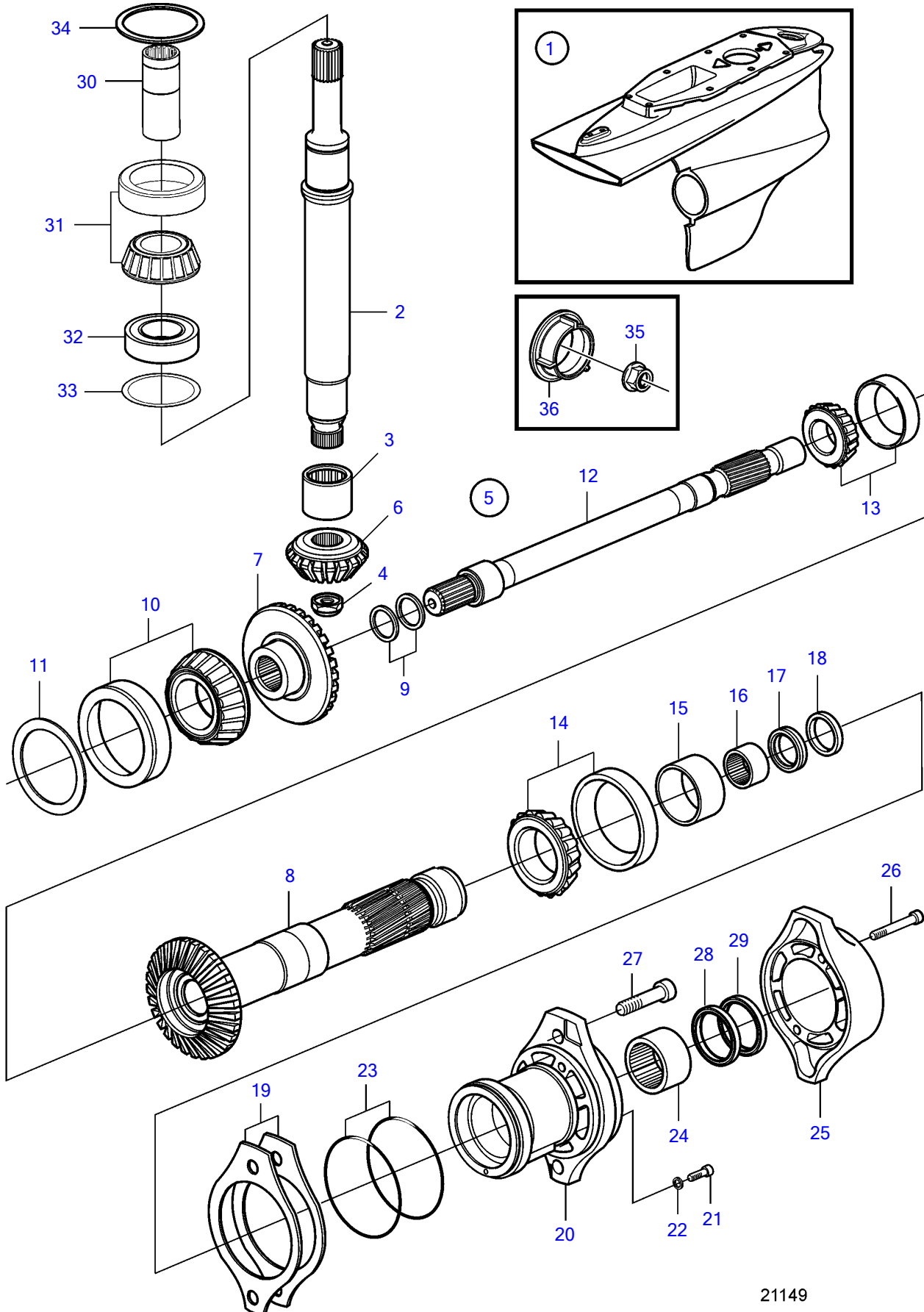


DPR-A, DPR-B, DPR-C



21149

DPR-A, DPR-B, DPR-C

REF	PART NO.	QTY	DESCRIPTION	NOTES
1	3862821	1	Lower gear	Ratio 1.46
	3801131	1	Lower gear, exch, exch	Ratio 1.46
	3843006	1	Lower gear	Ratio 1.36
	3801207	1	Lower gear, exch, exch	Ratio 1.36
2	3862755	1	• Shaft	
3	184654	1	• Needle roller bushin	
4	3862390	1	• Nut	
5	3862416	1	• Gear set	Ratio 1.46
	3842992	1	• Gear set	Ratio 1.36
6			• • Pinion	Not sold separately
7			• • Gear	Not sold separately
8			• • Gear	Not sold separately
9	3863063	X	• Adjusting washer	TH=2.85mm
	3863064	X	• Adjusting washer	TH=2.90mm
	3863065	X	• Adjusting washer	TH=3.00mm
	3863066	X	• Adjusting washer	TH=3.05mm
10	183765	1	• Roller bearing	
11	983158	X	• Shim	TH=0.10mm
	983159	X	• Shim	TH=0.15mm
	983160	X	• Shim	TH=0.35mm
12	21856223	1	• Shaft	
13	425784	1	• Roller bearing	
14	984222	1	• Roller bearing	
15	984225	1	• Inner ring	
16	183390	1	• Needle roller bushin	
17	3863080	1	• Sealing ring	
18	3863081	1	• Sealing ring	
19	889500	X	• Shim	TH=0,10mm
	889501	X	• Shim	TH=0,16mm
	889502	X	• Shim	TH=0,25mm
	889503	X	• Shim	TH=0,40mm
20	3863106	1	• Bearing box	
21	984450	1	• 6 point socket screw	Oil drain plug
22	889455	1	• Gasket	Oil drain plug
23	925260	2	• O-ring	
24	984224	1	• Needle roller bushin	
25	21440870	1	• Adapter	
26	984258	2	• 6 point socket screw	L=40mm
27	984259	2	• 6 point socket screw	L=40mm
28	3863082	1	• Sealing ring	
29	3863083	1	• Sealing ring	Sealing for water.
30	3862421	1	• Splined sleeve	
31	11065	1	• Roller bearing	
32	984223	1	• Ball bearing	
33	983152	X	• Shim	TH=0.10mm
	983153	X	• Shim	TH=0.15mm
	983154	X	• Shim	TH=0.35mm
34	977910	X	• Shim	TH=0.10mm
	977911	X	• Shim	TH=0.15mm
	977912	X	• Shim	TH=0.35mm
35	3863213	1	Propeller nut	Rear
36	3863211	1	Propeller nut	Front