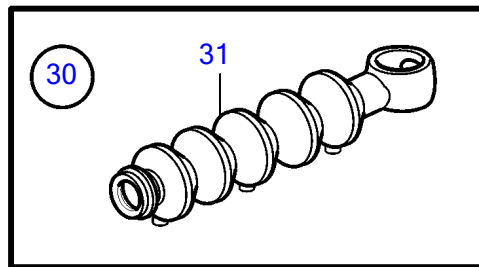
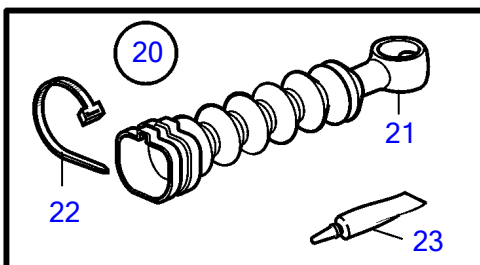
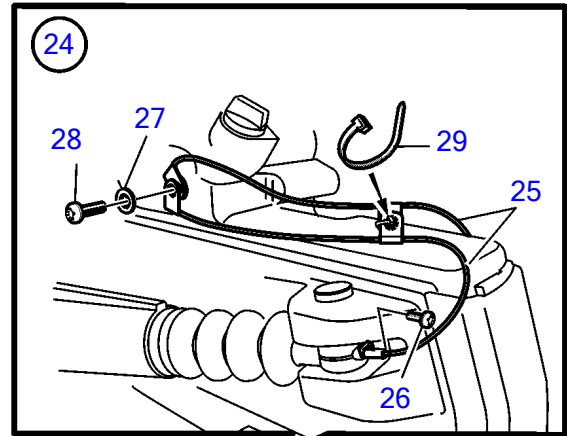
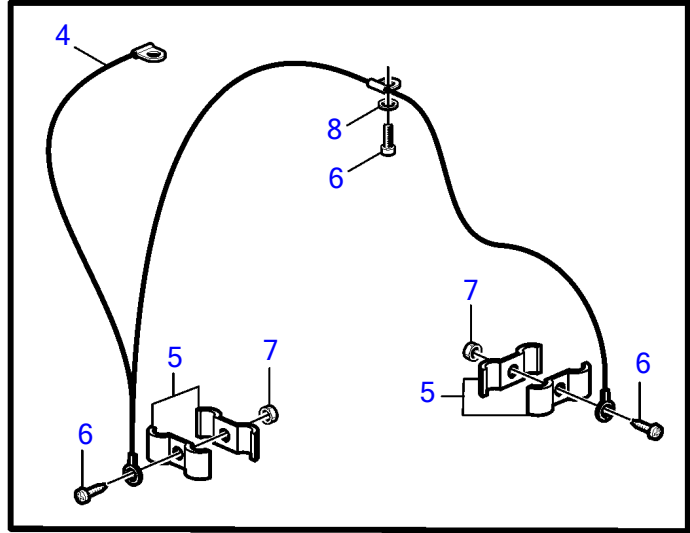
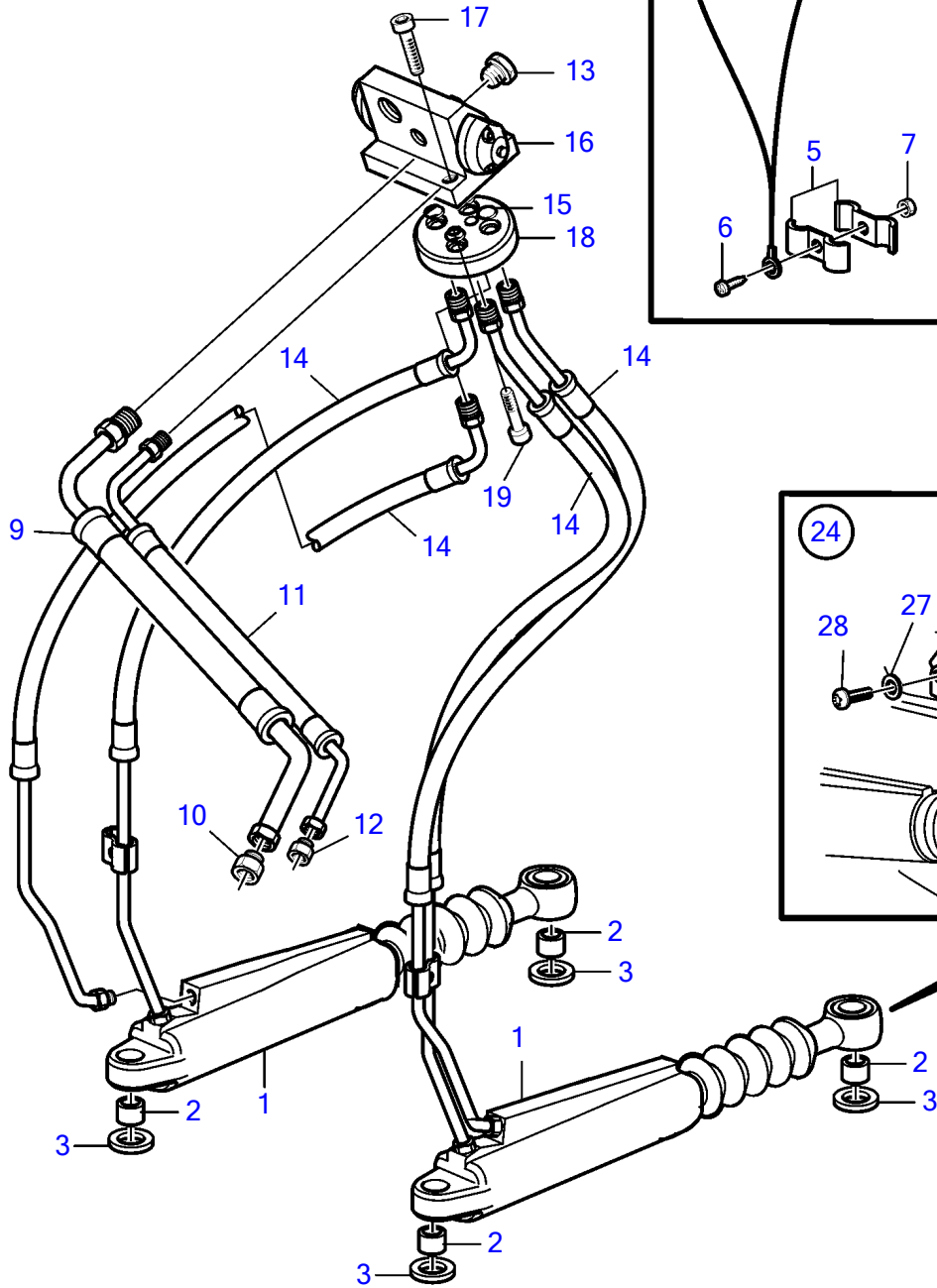


DPH-A, TSK DPH-B, DPH-C, DPR-A, DPR-B, DPR-C



25560

DPH-A, TSK DPH-B, DPH-C, DPR-A, DPR-B, DPR-C

REF	PART NO.	QTY	DESCRIPTION	SEE SEC.	NOTES
1	21745119	2	Steering cylinder		
2	21388920	4	Bushing		
3	3589516	4	Wear washer		(3863172)
4	889726	1	Ground cable		
5	984329	4	Clamp		
6	963675	3	Hex. socket screw		
7	944456	2	Hexagon nut		
8	940275	1	Washer		
9	3863222	1	Hose		
10	984379	1	Nipple		
11	3863223	1	Hydraulic hose		
12	984378	1	Nipple		
13	984376	2	Plug		
14	21548739	1	Hydraulic hose, kit		
			• Bulletin P-44-1-22	P-44-1-22-EN	Problem with Hydraulic Hoses for DPH/DPR Drives
15	925053	4	• O-ring		
16	3862321	1	Valve		
17	946541	2	Hex. socket screw		
18	3586766	1	Disc		
19	963677	2	Hex. socket screw		
20	21132674	1	Bellows kit		
			• Bulletin P-44-1-15	P-44-1-15-EN	Anti Barnacle Bellow
21		2	• Bellows		
22	948211	2	• Cable tie		
23		2	• Adhesive		
24	21233764	1	Chassis ground cable		
25	21200067	2	• Cable		
26	993453	2	• Hex. socket screw		
27	941670	1	• Washer		
28	984298	1	• 6 point socket screw		
29	948211	1	• Cable tie		
30	21375755	1	Steering cylinder be		
31	3594036	2	• Bellows		

7744790-64-35804

25560

Upd:2015-04-13

DPH-A, TSK DPH-B, DPH-C, DPR-A, DPR-B, DPR-C

VOLVO
PENTA