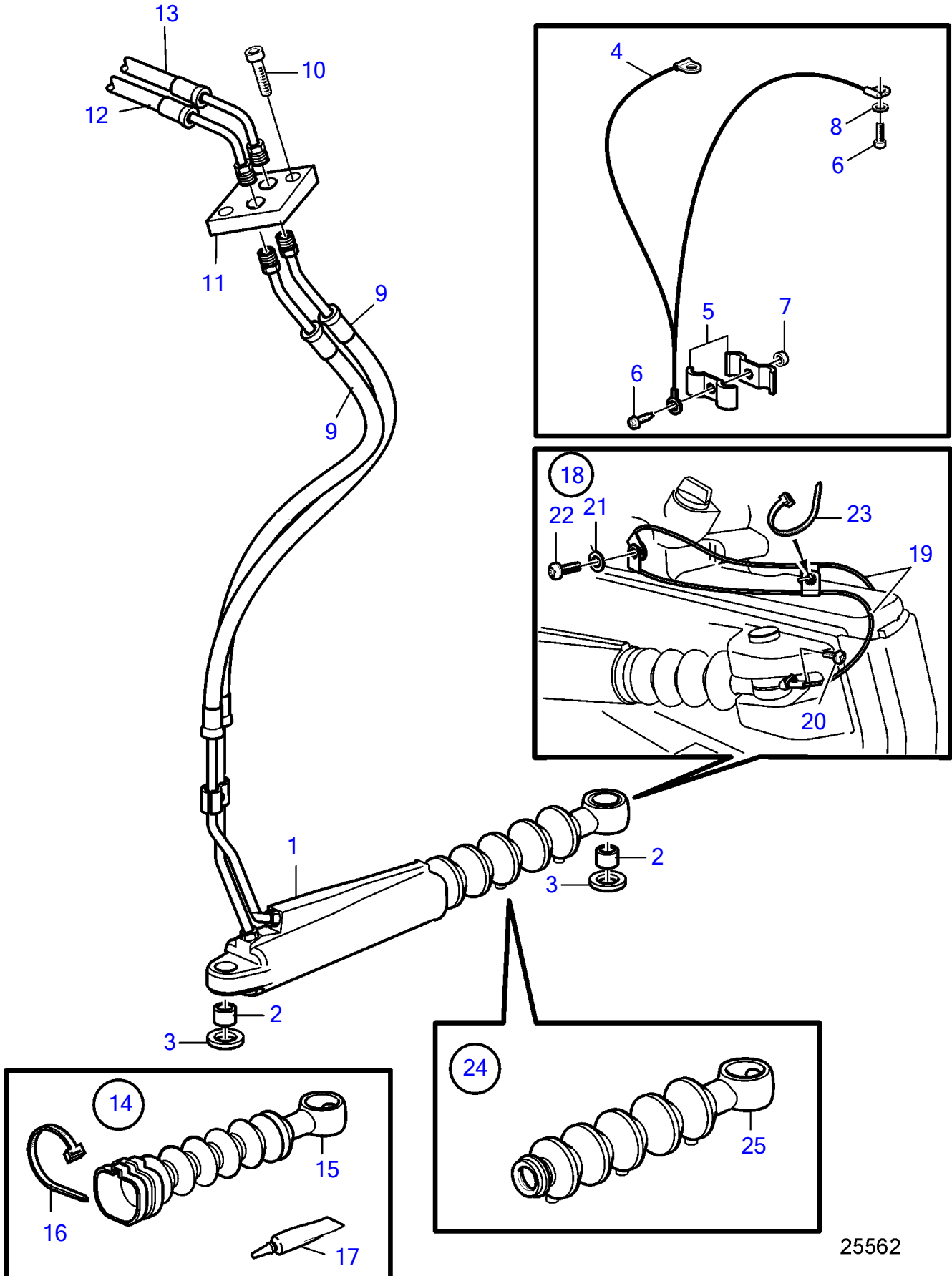


DPH-A, TSK DPH-B, DPH-C, DPR-A, DPR-B, DPR-C



25562

DPH-A, TSK DPH-B, DPH-C, DPR-A, DPR-B, DPR-C

REF	PART NO.	QTY	DESCRIPTION	SEE SEC.	NOTES
1	21745119	1	Steering cylinder		
2	21388920	2	Bushing		
3	3589516	2	Wear washer		(3863172)
4	889730	1	Ground cable		
5	984329	2	Clamp		
6	963675	2	Hex. socket screw		
7	944456	1	Hexagon nut		
8	940275	1	Washer		
9	21548739	1	Hydraulic hose, kit		
			• Bulletin P-44-1-22	P-44-1-22-EN	Problem with Hydraulic Hoses for DPH/DPR Drives
10	946541	2	Hex. socket screw		
11	3863236	1	Manifold		
12	888636	1	Hydraulic hose		
13	3863235	1	Hydraulic hose		
14	21132674	1	Bellows kit		
			• Bulletin P-44-1-15	P-44-1-15-EN	Anti Barnacle Bellow
15		2	• Bellows		
16	948211	2	• Cable tie		
17		2	• Adhesive		
18	21233764	1	Chassis ground cable		
19	21200067	2	• Cable		
20	993453	2	• Hex. socket screw		
21	941670	1	• Washer		
22	984298	1	• 6 point socket screw		
23	948211	1	• Cable tie		
24	21375755	1	Steering cylinder be		
25	3594036	2	• Bellows		

7744790-64-35809

25562

Upd:2015-04-13

DPH-A, TSK DPH-B, DPH-C, DPR-A, DPR-B, DPR-C

**VOLVO**  
**PENTA**