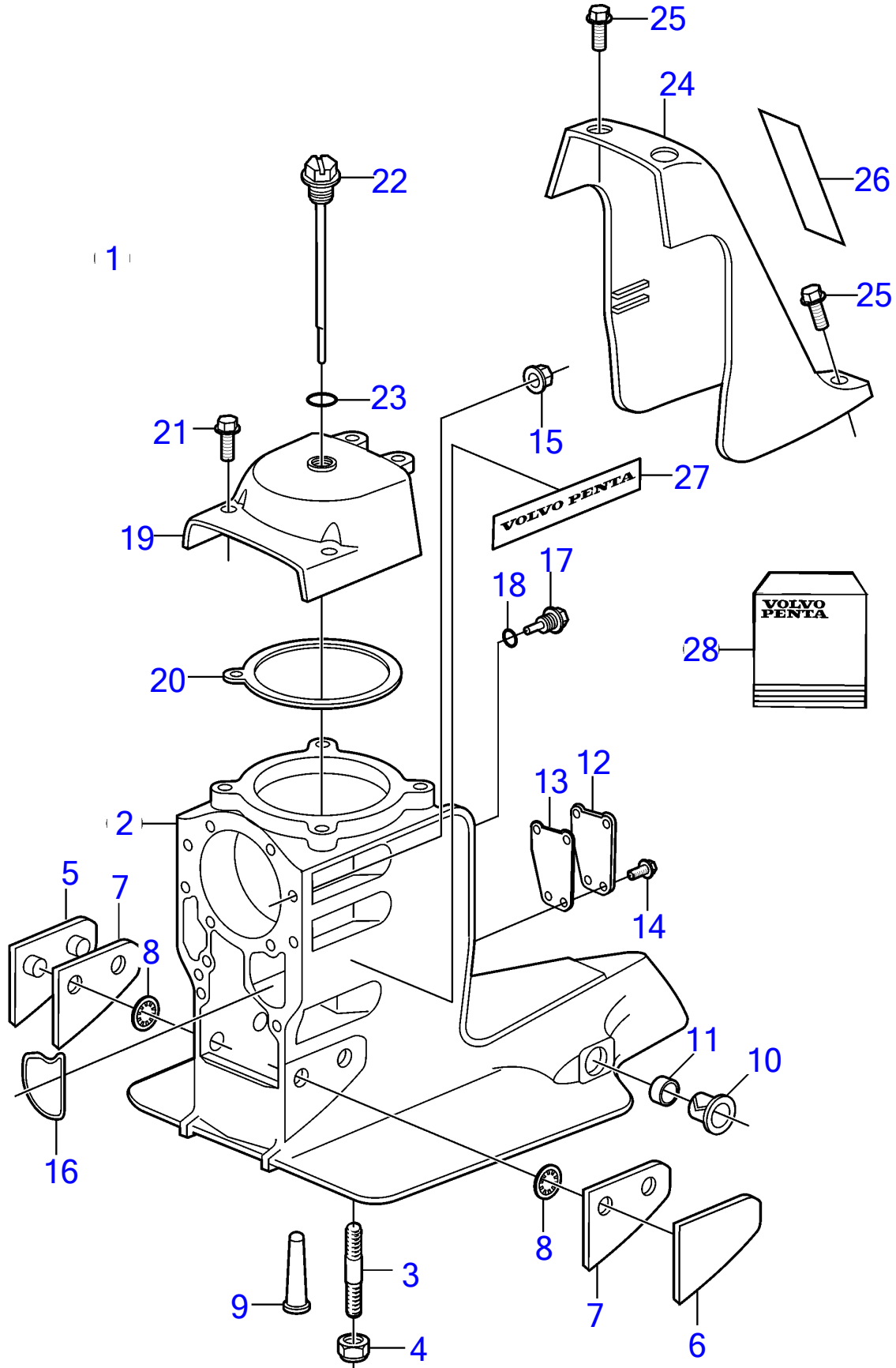


DP-SMTD3 2.11



DP-SMTD3 2.11

| REF | PART NO. | QTY | DESCRIPTION | NOTES |
|-----|-----------|-----|------------------------|-----------------------------|
| 1 | 3857010 | 1 | Upper gear | Complete |
| | 3801181 | 1 | Upper gear, exch, exch | Complete |
| 2 | 3818650 | 1 | Gear housing | |
| 3 | 941814 | 4 | • Stud | |
| 4 | 941885 | 4 | • Lock nut | |
| 5 | 3852562 | 1 | Pressure plate | Earlier prod. |
| | 3589524 | 1 | Plate | Later production |
| 6 | 3852561 | 1 | Pressure plate | Earlier prod. |
| | 3589522 | 1 | Plate | Later production |
| 7 | 3852563 | X | Adjusting washer | Not used on later versions. |
| 8 | 3852516 | 4 | Ring | Not used on later versions. |
| 9 | (3854021) | 1 | Strainer | Obsolete part |
| 10 | 3853423 | 2 | Bushing | |
| 11 | 3853424 | 2 | Grommet | |
| 12 | 3812478 | 1 | Plate | |
| 13 | 3812476 | 1 | Gasket | |
| 14 | 3852373 | 4 | Screw | |
| 15 | 3853329 | 4 | Nut | |
| 16 | 3852560 | 1 | Sealing | |
| 17 | 3854539 | 1 | Plug | |
| 18 | 3855081 | 1 | • O-ring | |
| 19 | 3854401 | 1 | Bearing cover | |
| 20 | 3852317 | 1 | Gasket | |
| 21 | 3852454 | 4 | Flange screw | |
| 22 | 3854847 | 1 | Dipstick | |
| 23 | 3852045 | 1 | O-ring | |
| 24 | 3852418 | 1 | Cover | |
| 25 | 3852568 | 3 | Flange screw | |
| 26 | 3855647 | 1 | Decal | DP Duoprop |
| 27 | 3857582 | 2 | Decal | DP Duoprop |
| 28 | 3850594 | X | Kit | |