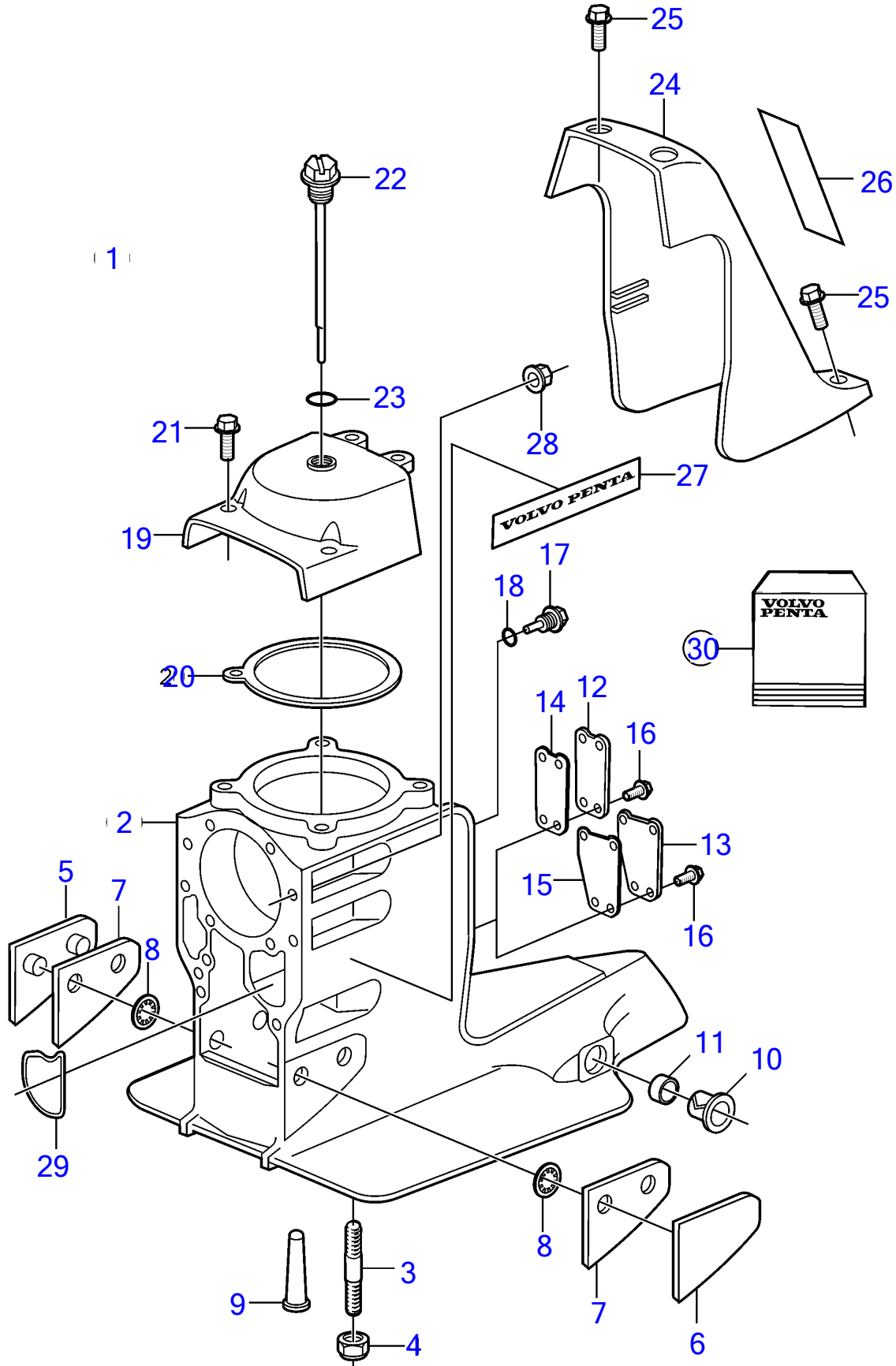


DP-SM 1.68, DP-SM 1.78, DP-SM 1.95, DP-SMTD 1.95, DP-SMTD1 1.95



DP-SM 1.68, DP-SM 1.78, DP-SM 1.95, DP-SMTD 1.95, DP-SMTD1 1.95

REF	PART NO.	QTY	DESCRIPTION	NOTES
1	3857007	1	Upper gear	Complete
	3801180	1	Upper gear, exch, exch	Complete
2	3855775	1	Gear housing	
3	941814	4	• Stud	DP-S
4	941885	4	• Lock nut	DP-S
5	3852562	1	Pressure plate	Earlier prod.
	3589524	1	Plate	Later production
6	3852561	1	Pressure plate	Earlier prod.
	3589522	1	Plate	Later production
7	3852563	X	Adjusting washer	Not used on later versions.
8	3852516	4	Ring	Not used on later versions.
9	(3854021)	1	Strainer	Obsolete part
10	3853423	2	Bushing	
11	3853424	2	Grommet	
12	3852280	1	Plate	Earlier prod.
13	3812478	1	Plate	Later production
14	3852279	1	Gasket	Earlier prod.
15	3812476	1	Gasket	Later production
16	3852373	4	Screw	
17	3854539	1	Plug	
18	3855081	1	• O-ring	
19	3854401	1	Bearing cover	
20	3852317	1	Gasket	
21	3852454	4	Flange screw	Hexagon screw
	3850629	4	Screw	T30 torx
22	3854847	1	Dipstick	
23	3852045	1	O-ring	
24	3852418	1	Cover	
25	3852568	3	Flange screw	
26	3858670	1	Decal	Volvo Penta SX
	3855360	1	Decal	SX Diesel
	3855647	1	Decal	DP Duoprop
27	3858671	2	Decal	Volvo Penta
	3857580	2	Decal	SX Diesel
	3857582	2	Decal	DP Duoprop
28	3853329	6	Nut	
29	3852560	1	Sealing	
30	3850594	1	Kit	