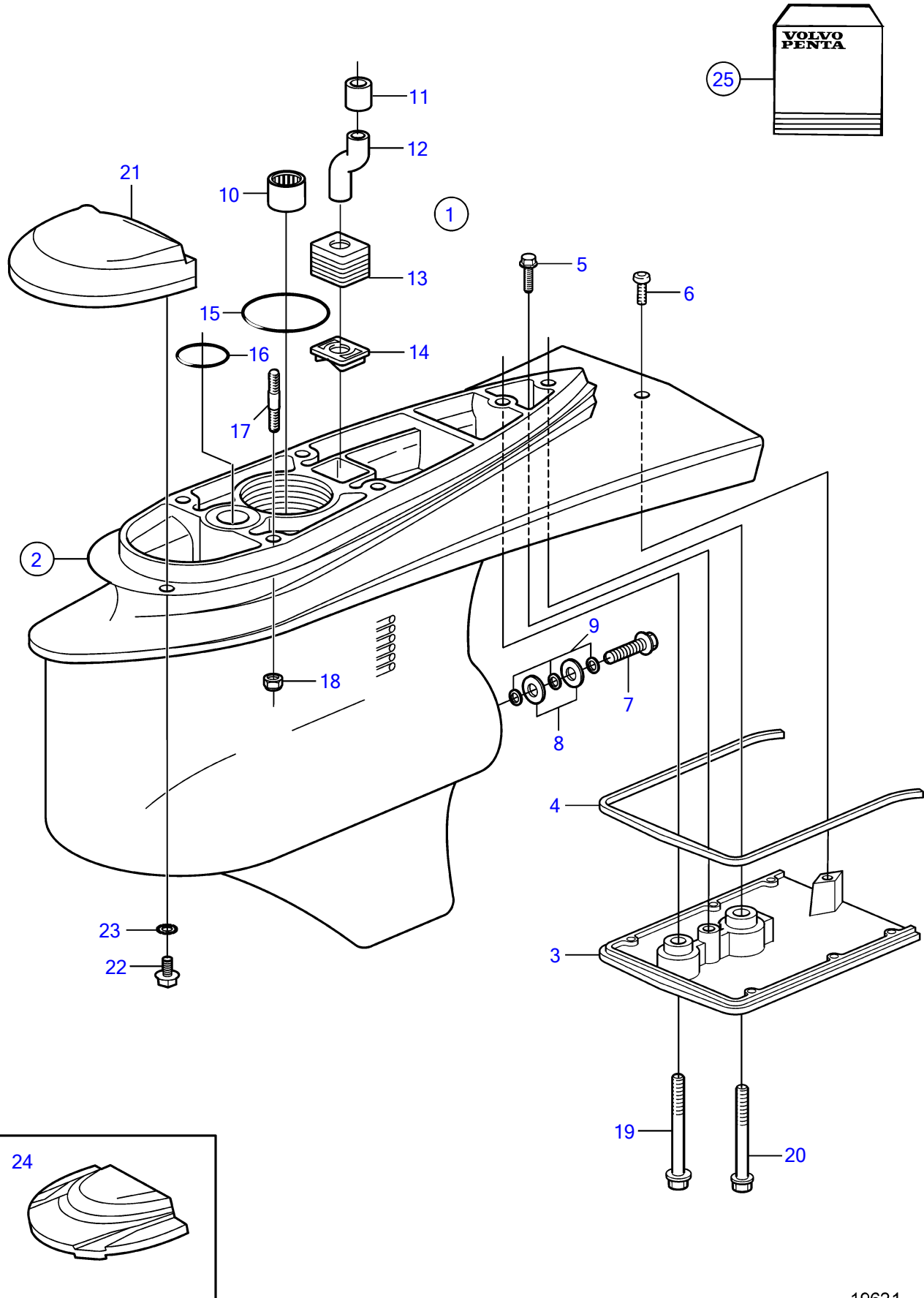


DP-SM 1.68, DP-SM 1.78, DP-SM 1.95, DP-SM 2.32, DP-SMTD 1.95, DP-SMTD1 1.95, DP-SMTD3 2.11



DP-SM 1.68, DP-SM 1.78, DP-SM 1.95, DP-SM 2.32, DP-SMTD 1.95, DP-SMTD1 1.95, DP-SMTD3 2.11

| REF | PART NO. | QTY | DESCRIPTION | SEE SEC. | NOTES |
|-----|-----------|-----|----------------------------------|-------------|---------------------|
| 1 | 3860765 | 1 | Lower gear, complete | | 2.32:1 & 1.95:1 |
| | 3801184 | 1 | Lower gear, complete, exch | | 2.32:1 & 1.95:1 |
| | 3855907 | 1 | Lower gear, complete | | 2.11:1, 1.78:1 |
| | 3801183 | 1 | Lower gear, exch, complete, exch | | 2.11:1, 1.78:1 |
| | 3855906 | 1 | Lower gear, complete | | 1.68:1 |
| | 3801182 | 1 | Lower gear, exch, complete, exch | | 1.68:1 |
| 2 | 3860732 | 1 | Gear housing | | |
| 3 | 3855544 | 1 | • Cover | | |
| 4 | 3854898 | 1 | • Sealing | | |
| 5 | 3855819 | 1 | • Flange screw | | |
| 6 | 3855004 | 1 | • 6 point socket screw | | |
| 7 | 3855578 | 1 | • Screw | | |
| 8 | 854096 | 2 | • Magnet | | |
| 9 | 955893 | 3 | • Washer | | |
| 10 | 184654 | 1 | • Needle roller bushin | | |
| 11 | 3852315 | 1 | Sealing | | |
| 12 | 3860252 | 1 | Tube | | |
| 13 | 3854595 | 1 | Sealing | | |
| 14 | 3854601 | 1 | Retainer | | |
| 15 | 3852866 | 1 | O-ring | | |
| 16 | 3852959 | 1 | O-ring | | |
| 17 | 941814 | 4 | Stud | | |
| 18 | 941885 | 4 | Lock nut | | |
| 19 | 3852960 | 1 | Screw | | |
| 20 | 3852349 | 1 | Screw | | |
| 21 | 3855411 | 1 | Zinc anode | | |
| | | | • Bulletin P-44-1-1 | P-44-1-1-EN | Anodes, SX AND DP-S |
| 21 | 3855412 | 1 | Magnesium anode | | |
| | 3863193 | 1 | Anode, aluminum | | |
| 22 | 3852186 | 2 | Hexagon screw | | |
| 23 | 3852182 | 2 | Washer | | |
| 24 | 3857857 | 1 | Anode | | |
| | 3857858 | 1 | Anode | | |
| | (3586462) | 1 | Anode, aluminum | | Obsolete part |
| 25 | 3856002 | 1 | Sealing kit | | |