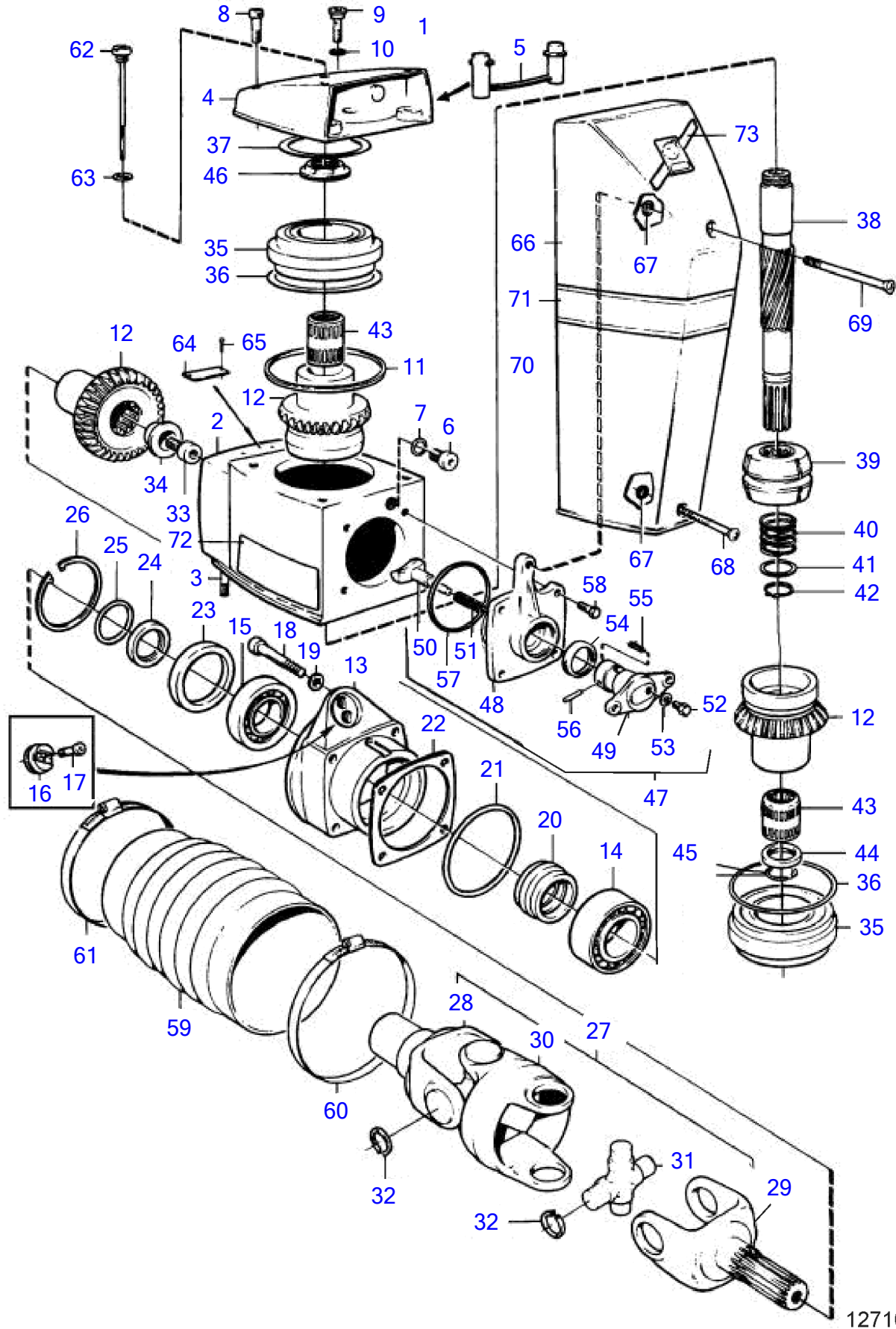


DP-D1 1.68, DP-D1 1.78, DP-D1 1.95, DP-D1 2.30



12710

DP-D1 1.68, DP-D1 1.78, DP-D1 1.95, DP-D1 2.30

REF	PART NO.	QTY	DESCRIPTION	SEE SEC.	NOTES
1	3868455	1	Drive, DP-D1		1.68:1, Repl by 3868672 (DP-D2), Repl by 3868727 (DP-E)
	3868022	1	Aquamatic drive, DP-D1		1.78:1, Repl by 3868727 (DP-E)
	(872864)	1	Drive, DP-D1		Obsolete part, 1.78:1, Replaced by 3868022
	872862	1	Aquamatic drive, DP-D1		1.95
	872863	1	Aquamatic drive, DP-D1		2.30:1
	3803224	1	Aquamatic drive, exc, DP-D1, exc		2.30:1
	873002	1	Gear		
2	854571	1	• Gear housing		
3	977241	2	• Stud		
4	854677	1	• Cardboard tube		
5	(854198)	1	• Plastic plug		Obsolete part
6	814179	1	• Plug		
7	897682	1	• Gasket		
8	941807	3	• Hex. socket screw		
9	814643	1	• Hollow screw		
10	955989	1	• O-ring		
11	832669	1	• Gasket		
12	873313	1	• Gear		
13	854025	1	• Bearing box		
14	853949	1	• Roller bearing		
15	183247	1	• Roller bearing		
16	852705	1	• Pivot pin		
17	941807	2	• Hex. socket screw		
18	956591	4	• Hex. socket screw		
19	942598	4	• Washer		
20	853484	1	• Pretensioning sleeve		
21	925095	1	• O-ring		
22	853034	1	• Shim, 0.10 mm		
	853035	1	• Shim, 0.15 mm		
	853036	1	• Shim, 0.35 mm		
23	839253	1	• Sealing ring		
24	832675	1	• Washer		
25	956000	1	• O-ring		
26	914538	1	• Snap ring		
27	854615	1	• Universal joint		
			• Bulletin P-44-1-5	P-44-1-5-EN	U-joints
28	854616	1	• • Fork		
29	854617	1	• • Fork		
30	854618	1	• • Intermediate section		
31	854619	2	• • Spider		
32	24383	8	• • Lock ring		
33	854201	1	• Screw		
34	853026	1	• Washer		
35	3852389	2	• Bearing		
36	943869	1	• Shim, 0.05 mm		
	946179	1	• Shim, 0.10 mm		
	943870	1	• Shim, 0.20 mm		
37	941826	1	• Shim, 0.05 mm		
	941827	1	• Shim, 0.20 mm		
	948230	1	• Shim, 0.35 mm		
38	853916	1	• Shaft		
39	873312	1	• Sliding sleeve		
			• Bulletin P-44-1-8	P-44-1-8-EN	Shift mechanism, shift cone and shoe
			• Bulletin P-44-1-18	P-44-1-18-EN	Shift Cone
40	3852296	1	• Spring		
41	854126	1	• Washer		
42	951078	1	• Snap ring		
43	3852390	2	• Bearing		
44	854192	1	• Spacer ring		
45	853888	2	• Lock ring		
46	854228	1	• Nut, 0 mm		
	854229	1	• Nut, 0.20 mm		

7749309-44-10819

12710

Upd:2014-10-27

DP-C1, DP-D1, DP-S, DP-C1 1.95, DP-C1 2.30, DP-D1 1.68, DP-D1 1.78, DP-D1 1.95, DP-D1 2.30

DP-D1 1.68, DP-D1 1.78, DP-D1 1.95, DP-D1 2.30

REF	PART NO.	QTY	DESCRIPTION	SEE SEC.	NOTES
	854230	1	• Nut, 0.40 mm		
	3852375	1	• Nut, 0.60 mm		
47		1	• Shift mechanism		
48	872993	1	• • Bearing housing		
49	897816	1	• • Eccentric piston		
			• Bulletin P-44-1-7	P-44-1-7-EN	Shift mechanism, eccentric piston
50	814603	1	• • Dog		
51	814184	1	• • Spring		
52	897711	1	• • Hexagon screw		
53	897871	1	• • Shim		
54	873291	1	• • Sealing ring		
55	951924	1	• • Spring pin		
56	942871	1	• • Clevis pin		
57	925093	1	• • O-ring		
58	940169	4	• Hexagon screw		
59	876294	1	• Bellows kit		
			• Bulletin P-44-1-11	P-44-1-11-EN	DPH/DPR U-Joint Bellows
60	22274888	1	• • Hose clamp		
61	853012	1	• • Hose clamp		
62	839351	1	• Oil dipstick		
63	955974	1	• O-ring		
64	853706	1	• Type plate		
65	804269	2	• Drive screw		
66	854604	1	Protecting cover		
67	925052	2	O-ring		
68	854661	1	Screw		
69	872027	1	Screw		
70	876636	1	Decal set		
71	872866	1	• Decal		
72	872868	1	• Decal, port		
	872867	1	• Decal, starboard		
73	854144	1	• Sign		

7749309-44-10819

12710

Upd:2014-10-27

DP-C1, DP-D1, DP-S, DP-C1 1.95, DP-C1 2.30, DP-D1 1.68, DP-D1 1.78, DP-D1 1.95, DP-D1 2.30