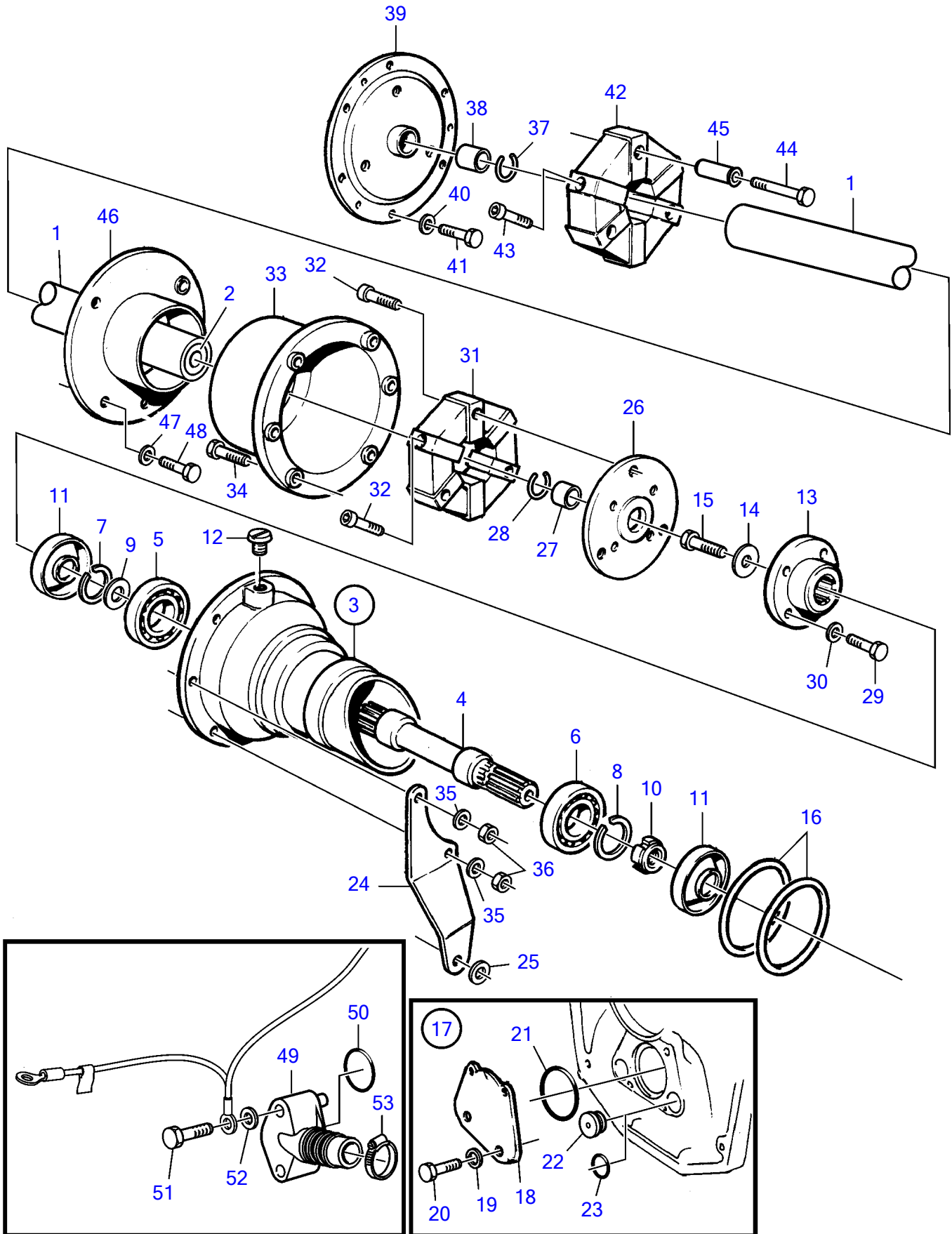


DP-C1, DP-D1, DP-S



DP-C1, DP-D1, DP-S

REF	PART NO.	QTY	DESCRIPTION	NOTES
1	(853944)	1	Stub axle	L=1,1m, Obsolete part
	853850	1	Stub axle	L=1,65m
2	853830	2	• Insert	
3	3855772	1	Intermediate housing	
4	853841	1	Spindle	
5	183647	1	Roller bearing	
6	11041	1	Roller bearing	
7	914465	1	Snap ring	
8	914533	1	Snap ring	
9	968950	1	Support washer	
10	969072	1	Round nut	
11	958860	2	Sealing ring	
12	804262	1	Plug	
13	838422	1	Clutch flange	
14	947541	1	Washer	
15	946329	1	Flange screw	
16	858464	2	Rubber ring	
17	(872238)	1	Seal flange kit	Obsolete part
18		1	• Seal flange	
19	941908	4	• Spring washer	
20	970945	4	• Hexagon screw	
21	925256	1	• O-ring	
22	814473	2	• Closure	
23	925064	2	O-ring	Alt
24	838935	1	Bracket	P
	838936	1	Bracket	SB
25	955897	22	Washer	
26	853878	1	Attaching plate	
27	853829	1	Bushing	
28	914470	1	Snap ring	
29	945996	4	Hexagon screw	
30	941909	4	Spring washer	
31	853978	1	Clutch	
32	853951	6	• Screw	
33	853838	1	Protecting screen	
34	940160	6	Hexagon screw	
35	941909	6	Spring washer	
36	940157	6	Hexagon nut	
37	914470	1	Snap ring	
38	853829	1	Bushing	
39	853876	1	Attaching plate	
40	941907	6	Spring washer	Early type
41	955297	6	Hexagon screw	Early type
	945444	6	Flange screw	Late type
42	853977	1	Clutch	
43	853951	3	• Screw	
44	853952	3	• Screw	
45	853834	3	Spacer sleeve	
46	853874	1	Protecting screen	
47	941908	4	Spring washer	Early type
48	970947	4	Hexagon screw	Early type
	946329	4	Flange screw	Late type
49	872338	1	Hose connection	
50	925064	1	O-ring	
51	955516	2	Hexagon screw	
52	955893	2	Washer	
53	961669	2	Hose clamp	