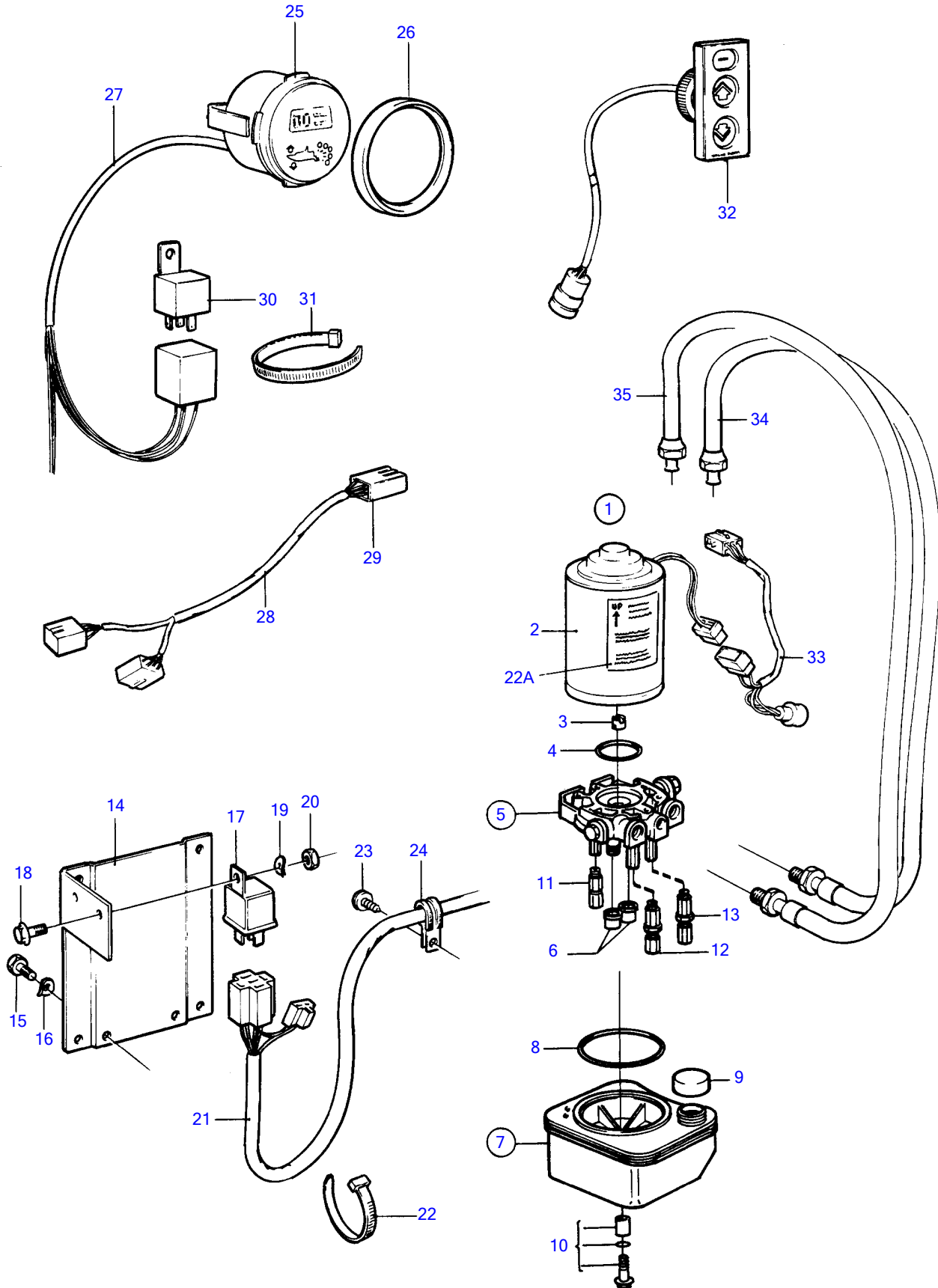


DP-D1 1.68, DP-D1 1.78, DP-D1 1.95, DP-D1 2.30



DP-D1 1.68, DP-D1 1.78, DP-D1 1.95, DP-D1 2.30

| REF | PART NO. | QTY | DESCRIPTION          | NOTES                                                               |
|-----|----------|-----|----------------------|---------------------------------------------------------------------|
| 1   | 3857006  | 1   | Hydraulic pump, trim | Replaced by 3586765                                                 |
| 2   | 854525   | 1   | • Electrical motor   |                                                                     |
| 3   | 3858072  | 1   | • Connector          |                                                                     |
| 4   | 3858073  | 1   | • O-ring             |                                                                     |
| 5   | (854528) | 1   | • Valve housing      | Obsolete part                                                       |
| 6   | 3858076  | 2   | • • Filter           |                                                                     |
| 7   | (854531) | 1   | • Reservoir          | Obsolete part                                                       |
| 8   | 3858078  | 1   | • Sealing            |                                                                     |
|     | 3861570  | 1   | • Reservoir          |                                                                     |
| 9   | 3858079  | 1   | • Cardboard tube     |                                                                     |
| 10  | 854534   | 1   | • Small parts kit    |                                                                     |
| 11  | 854535   | 1   | • Hydraulic pump     |                                                                     |
| 12  | 873057   | 1   | • Delivery valve     |                                                                     |
| 13  | 854537   | 1   | • Pressure box       |                                                                     |
| 14  | 854438   | 1   | Bracket              |                                                                     |
| 15  | 970945   | 2   | Hexagon screw        |                                                                     |
| 16  | 941908   | 2   | Spring washer        |                                                                     |
| 17  | 854357   | 2   | Relay                |                                                                     |
| 18  | 948663   | 2   | Flange screw         |                                                                     |
| 19  | 941905   | 2   | Spring washer        |                                                                     |
| 20  | 955780   | 2   | Hexagon nut          |                                                                     |
| 21  | 872448   | 1   | Wiring harness       |                                                                     |
| 22  | 948211   | 1   | Cable tie            |                                                                     |
| 22A | 853097   | 1   | Sign                 |                                                                     |
| 23  | 968476   | 4   | Flange screw         |                                                                     |
| 24  | 952630   | 4   | Clamp                |                                                                     |
| 25  | 872498   | 1   | Trimmer              |                                                                     |
| 26  | 858643   | 1   | Front ring           |                                                                     |
| 27  | 856821   | 1   | Cable kit            |                                                                     |
| 28  | 853066   | 1   | Cable trunk          | Dual station                                                        |
| 29  |          | 1   | • Cable harness      | See group 30                                                        |
| 30  | 872300   | 2   | Relay                | Replaced by relay 1324492 and mounting instruction., 12V 30A        |
|     | 1324492  | 2   | Relay                | Nb! changed polarity. see mounting instruction., With built in diod |
| 31  | 949666   | 1   | Cable tie            |                                                                     |
| 32  | 3855650  | 1   | Control panel        |                                                                     |
| 33  | 853032   | 1   | Cable trunk          |                                                                     |
|     | 948294   | 1   | • Housing            | 9-pole                                                              |
|     | 965822   | 1   | • Cable terminal     | 3.5x1x2.5                                                           |
|     | (853498) | 1   | • Anode kit          | Obsolete part, 3-pole                                               |
|     | 853521   | 1   | • Cable terminal     |                                                                     |
| 34  | 873228   | 1   | Hydraulic hose       |                                                                     |
| 35  | 873229   | 1   | Hydraulic hose       |                                                                     |