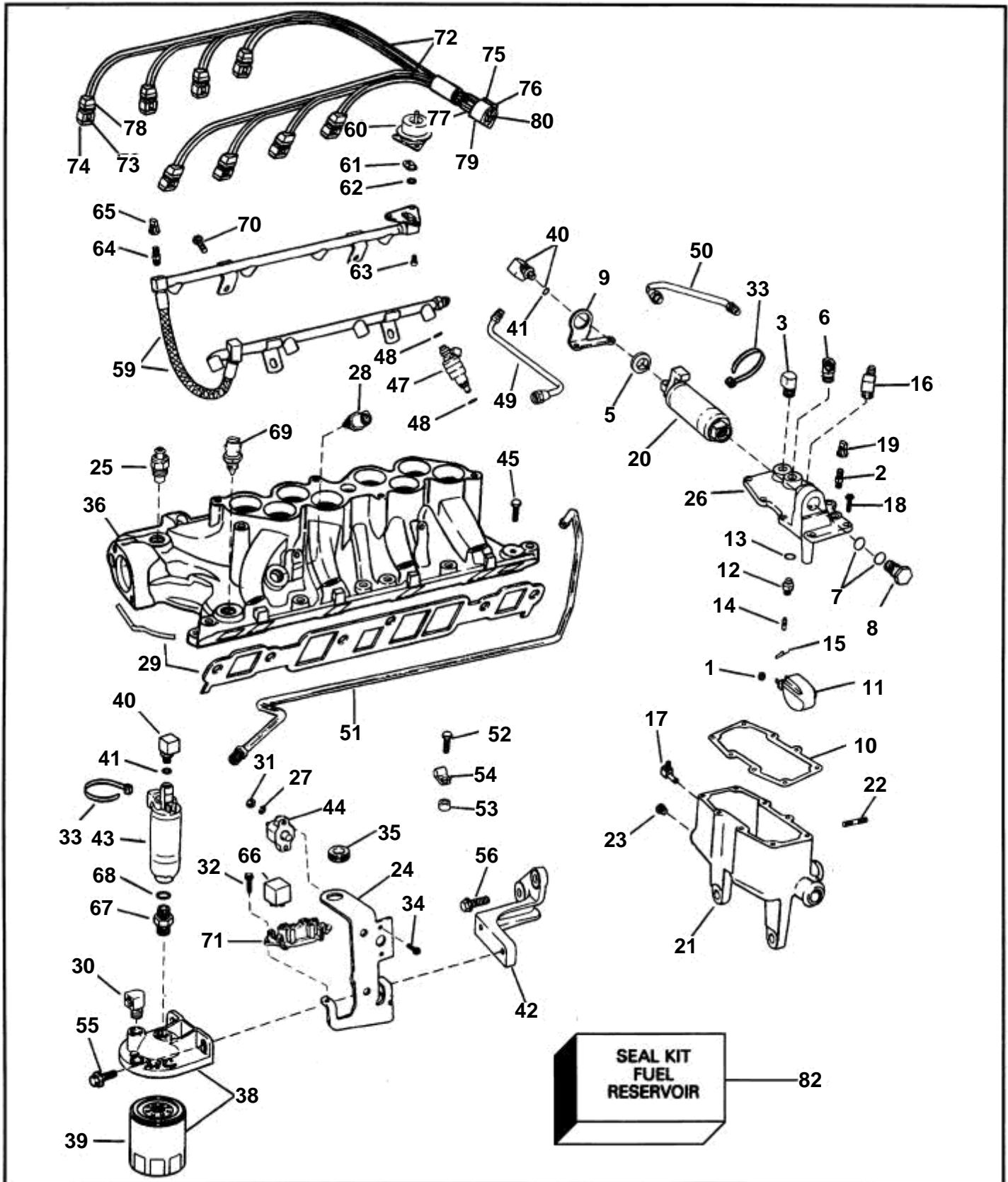


# FUEL SYSTEM & LOWER INTAKE MANIFOLD, Fi



# FUEL SYSTEM & LOWER INTAKE MANIFOLD, Fi

REF	PART NO.	QTY	DESCRIPTION	NOTES
1	3852034	1	Retainer, Float to pin	
2	3854152	1	Valve, Reservoir assy	
3	3852453	1	Fitting, Cover, reservoir assy, return	
5	3852481	1	Grommet, Fuel pump to sover, reservoir assy	
6	3852506	1	Fitting, Pump to reservoir	Low pres fuel pump
7	3853642	2	O-ring, Retainer, fuel pump	
8	3853572	1	Hollow screw, Fuel pump to sover	Reservoir assy
9	3853573	1	Bracket, Fuel pump grommet, reservoir assy	
10	3853574	1	Gasket, Cover, reservoir assy	
11	3853575	1	Float, Reservoir assy	
12	3853576	1	Seat, Float needle, reservoir assy	
13	3853577	1	Gasket, Float needle seat, reservoir assy	
14	3853578	1	Needle, Float, reservoir assy	
15	3853579	1	Clip, Needle to float, reservoir assy	
16	3853597	1	Elbow, Vent, reservoir to intake	
17	3852480	1	Riser, Reservoir to thermostat hsg	
18	3853606	8	Screw, Cover to reservoir	Reservoir assy
19	3853616	1	Protective cap, Pressure valve	
20	3854280	1	Fuel pump, Electric	High pressure
21	3854149	1	Tank	
22	3852093	1	· Stud, Bracket & cooler mount	
23	3852167	1	· Plug, Reservoir diain	
24	3853544	1	Bracket, Support, fuel pump & relay mounting	
25	3854711	1	Breaker, Water temperature	Intake manifold, front
26	3854405	1	Cover, Reservoir	
27	3852001	2	Lock washer, Circuit breaker terminals	Fuel pump
28	3854158	1	Sender, Air charge temperature	
29	3854406	1	Gasket kit, Intake manifold	
30	3852013	1	Riser, Inlet, fuel filter sover	
31	3852064	2	Nut, Circuit breaker terminals	Fuel pump
32	3852208	2	Screw, Relay & cable assy	
33	3852158	2	Lock strap, Cable to fuel pump assy	
34	3853620	2	Screw, Circuit breaker to bracket	
35	3852481	1	Grommet, Fuel pump to bracket	
36	3854301	X	Inlet pipe	
38	3850861	1	Cover	
39	3851218	1	· Fuel filter	
40	3853545	1	Fitting, High pressure fuel pump	
41	3850820	1	· O-ring, Fitting	
42	3853570	1	Bracket, Pump, filter, circuit breaker & support	
43	3854902	1	Fuel pump, Low pressure	
44	3854163	1	Breaker, 20A, fuel pump	
45	3853036	X	Screw, Intake manifold	
47	3854136	8	Injector	
48	3853733	X	O-ring	
49	3854142	1	Fuel line, Reservoir to fuel line, feed	
50	3854143	1	Fuel line, Regulator to reservoir	
51	3854140	1	Fuel line, Fuel pump to reservoir, low pressure	
52	3852043	1	Screw, Clamp & spacer to valve cover	
53	3853617	1	Sleeve, Clamp, fuel line to valve cover	Port
54	3852231	1	Clamp, Fuel line to valve cover, port	
55	3853266	2	Screw, Fuel pump, support bracket	Fuel filter to bracket
56	3853558	2	Screw, Fuel filter bracket to cyl head	
59	3854141	1	Fuel line, Fuel injectors to intake	
60	3854237	X	· Regulator	
61	3853737	1	· Gasket	
62	3853738	X	· O-ring	
63	3853739	3	· · Screw	
64	3854152	4	· Valve	
65	3853616	1	· Protective cap	
66	3852259	1	Relay, Fuel pump	
67	3853493	1	Fitting, Fuel pump to fuel filter cover	
68	3850819	1	· O-ring, Fitting	
69	3854159	1	Sender, Coolant temperature	

7797220 - - 0-0017

GR950291

Upd: 22 NOV 2005

# FUEL SYSTEM & LOWER INTAKE MANIFOLD, Fi

REF	PART NO.	QTY	DESCRIPTION	NOTES
70	3852213	4	Screw, Fuel line assy to intake manifold	Fuel injectors
71	3852210	1	Bracket, Relay	
72	3854150	1	Cable harness	
73	3853680	8	· Connector, Injector	
74	3853679	2	· Cable terminal	
75	3853708	X	Connector	
76	3853709	X	· Retainer	
77	3853710	1	· Cable terminal	
78	3853711	8	· Cable sleeve, .Injector	
79	3852230	1	· Plug, Connector seal	
80	3853740	8	· Cable terminal	
82	3850374	1	Sealing kit, Fuel reservoir	