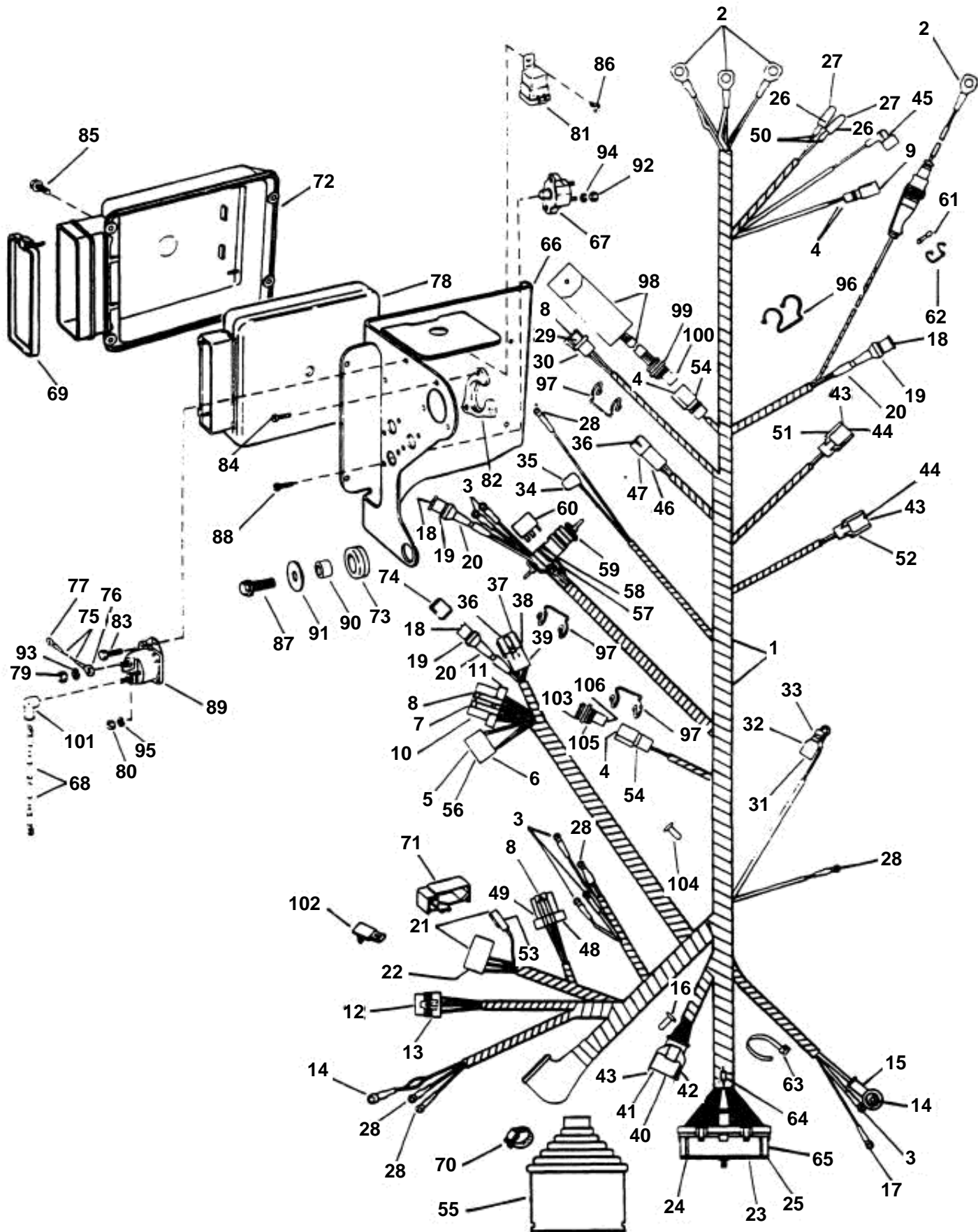


ENGINE WIRE HARNESS & BRACKET



ENGINE WIRE HARNESS & BRACKET

| REF | PART NO. | QTY | DESCRIPTION |
|-----|----------|-----|---------------------------------------|
| 1 | 3854135 | 1 | Cable harness, Engine |
| 2 | 3852527 | 4 | · Cable terminal |
| 3 | 3852235 | 6 | · Cable terminal |
| 4 | 3852229 | 10 | · Cable terminal, Pin |
| 5 | 3853675 | 1 | · Cable terminal, E-coil |
| 6 | 3853705 | 1 | · Connector, E-coil |
| 7 | 3853534 | 2 | · Cable terminal, Ignition module |
| 8 | 3853676 | 9 | · Cable terminal |
| 9 | 3853565 | 1 | · Connector, Trim sender |
| 10 | 3853677 | 1 | · Retainer, Ignition module |
| 11 | 3853678 | 1 | · Connector, Ignition module |
| 12 | 3852254 | 4 | · Cable terminal, Relay |
| 13 | 3854192 | 1 | · Connector |
| 14 | 3852107 | 2 | · Cable terminal |
| 15 | 3852130 | 1 | · Rubber cap, Alternator |
| 16 | 3852230 | 3 | · Plug |
| 17 | 3852036 | 1 | · Cable terminal, Alternator ground |
| 18 | 3853679 | 6 | · Cable terminal |
| 19 | 3852260 | 3 | · Connector |
| 20 | 3853681 | 3 | · Cover |
| 21 | 3853682 | 5 | · Cable terminal, Self test |
| 22 | 3853683 | 1 | · Cable terminal, Test output |
| 23 | 3853533 | 12 | · Cable terminal |
| 24 | 3853684 | 15 | · Cable terminal |
| 25 | 3853685 | 1 | · Retainer, ECA module |
| 26 | 3852244 | 2 | · Cable terminal, Water flow |
| 27 | 3852181 | 2 | · Cap, Water flow |
| 28 | 3852233 | 5 | · Cable terminal, Ring |
| 29 | 3853689 | 1 | · Retainer, By-pass solenoid |
| 30 | 3853690 | 1 | · Connector, Bypass solenoid |
| 31 | 3853479 | 1 | · Cable terminal, Temperature switch |
| 32 | 3853478 | 1 | · Seal, Temperature switch |
| 33 | 3853480 | 1 | · Terminal casing, Temperature switch |
| 34 | 3852084 | 1 | · Cable terminal, Oil switch |
| 35 | 3853320 | 1 | · Cover, Oil switch |
| 36 | 3853691 | 6 | · Cable terminal |
| 37 | 3853692 | 3 | · Cable terminal, Distributor |
| 38 | 3853693 | 1 | · Retainer, Distributor |
| 39 | 3853694 | 1 | · Connector, Distributor |
| 40 | 3853695 | 1 | · Cable terminal, Fuel injector |
| 41 | 3853696 | 1 | · Retainer, Fuel injector |
| 42 | 3853697 | 1 | · Connector, Fuel injector |
| 43 | 3853698 | 12 | · Cable terminal |
| 44 | 3853699 | 2 | · Retainer |
| 45 | 3853995 | 1 | · Connector, Knock sensor |
| 46 | 3853700 | 1 | · Retainer, Throttle position |
| 47 | 3853701 | 1 | · Connector, Throttle position |
| 48 | 3853102 | 1 | · Stud, MAP sensor |
| 49 | 3854115 | 1 | · Connector, MAP sensor |
| 50 | 3852248 | 2 | · Cable sleeve, Water flow....., |
| 51 | 3853703 | 1 | · Connector, Air charge |
| 52 | 3854114 | 1 | · Housing, Engine coolant |
| 53 | 3853704 | 1 | · Connector, Test input |
| 54 | 3852242 | 2 | · Pin connector, 4 pin |
| 55 | 3853706 | 1 | · Cable sleeve, ECA module |
| 56 | 3853707 | 1 | · Cable terminal, E-coil |
| 57 | 3852246 | 3 | · Cable terminal, Fuel pump |
| 58 | 3852247 | 1 | · Cable terminal, Fuel pump |
| 59 | 3852210 | 1 | · Bracket, Fuel pump |
| 60 | 3852259 | 1 | · Relay, Fuel pump |
| 61 | 3850985 | 1 | · Fuse |
| 62 | 3852499 | 1 | · Retainer, Fuse |
| 63 | 3852158 | 1 | · Lock strap, ECA boot |
| 64 | 3852258 | 3 | · Diode |

ENGINE WIRE HARNESS & BRACKET

| REF | PART NO. | QTY | DESCRIPTION |
|-----|----------|-----|------------------------------------|
| 65 | 3853688 | 1 | · Connector, ECA |
| 66 | 3853569 | 1 | Bracket, Electrical components |
| 67 | 3854282 | 1 | Breaker, 12 1/2 Amp |
| | 3854283 | 1 | Breaker, 50 amp |
| | 3854186 | 1 | Fuse, 60 Amp |
| 68 | 3854205 | 1 | Cable, Solenoid to solenoid |
| 69 | 3853752 | 1 | Lock strap, ECA module |
| 70 | 3853786 | 1 | Clamp, Instrument cable |
| 71 | 3853611 | 1 | Cover, Self test output |
| 72 | 3854189 | 1 | Cover, ECA module |
| 73 | 3852195 | 3 | Grommet, Electrical bracket |
| 74 | 3853643 | 1 | Bridge connector, Timing test lead |
| 75 | 3854185 | 2 | Cable, Solenoid to breaker |
| 76 | 3852037 | 1 | · Cable terminal |
| 77 | 3852245 | 1 | · Cable terminal |
| 78 | 3854537 | 1 | Control unit, ECA, 5.0 Litre |
| | 3854538 | 1 | Control unit, ECA, 5.8 Litre |
| 79 | 3852042 | 2 | Nut, Assist solenoid |
| 80 | 3852064 | 2 | Nut, Assist solenoid |
| 81 | 3854138 | 1 | Relay, Engine control |
| 82 | 3852825 | 1 | Retainer, Engine cable |
| 83 | 3852194 | 2 | Screw, Start assist solenoid |
| 84 | 3852208 | 3 | Screw, Retainer |
| 85 | 3852208 | 4 | Screw, ECA cover |
| 86 | 3852212 | 1 | Screw, ECA relay |
| 87 | 3852454 | 3 | Screw, Electrical bracket |
| 88 | 3853620 | 6 | Screw, Circuit breaker |
| 89 | 3853839 | 1 | Solenoid, Starter |
| 90 | 3853617 | 3 | Sleeve, Bushing |
| 91 | 3852136 | 3 | Washer, Electrical bracket |
| 92 | 3852064 | 6 | Nut, Circuit breaker |
| 93 | 3852055 | 2 | Washer, Assist solenoid |
| 94 | 3852001 | 6 | Lock washer, Circuit breaker |
| 95 | 3852001 | 4 | Lock washer, Assist solenoid |
| 96 | 3852237 | 1 | Retainer, Trim cable |
| 97 | 3852238 | 2 | Retainer |
| 98 | 3854216 | 1 | Control unit, Knock |
| 99 | 3852241 | 1 | · Connector, 4 socket |
| 100 | 3852257 | 4 | · Cable terminal, Socket |
| 101 | 3852487 | 2 | Protective cap, Cable |
| 102 | 3853734 | 1 | Clip, Self test cover |
| 103 | 3852411 | 1 | Connector |
| 104 | 3852230 | 2 | · Plug, Connector seal |
| 105 | 3852241 | 1 | · Connector, 4 socket |
| 106 | 3852257 | 2 | · Cable terminal, Socket |