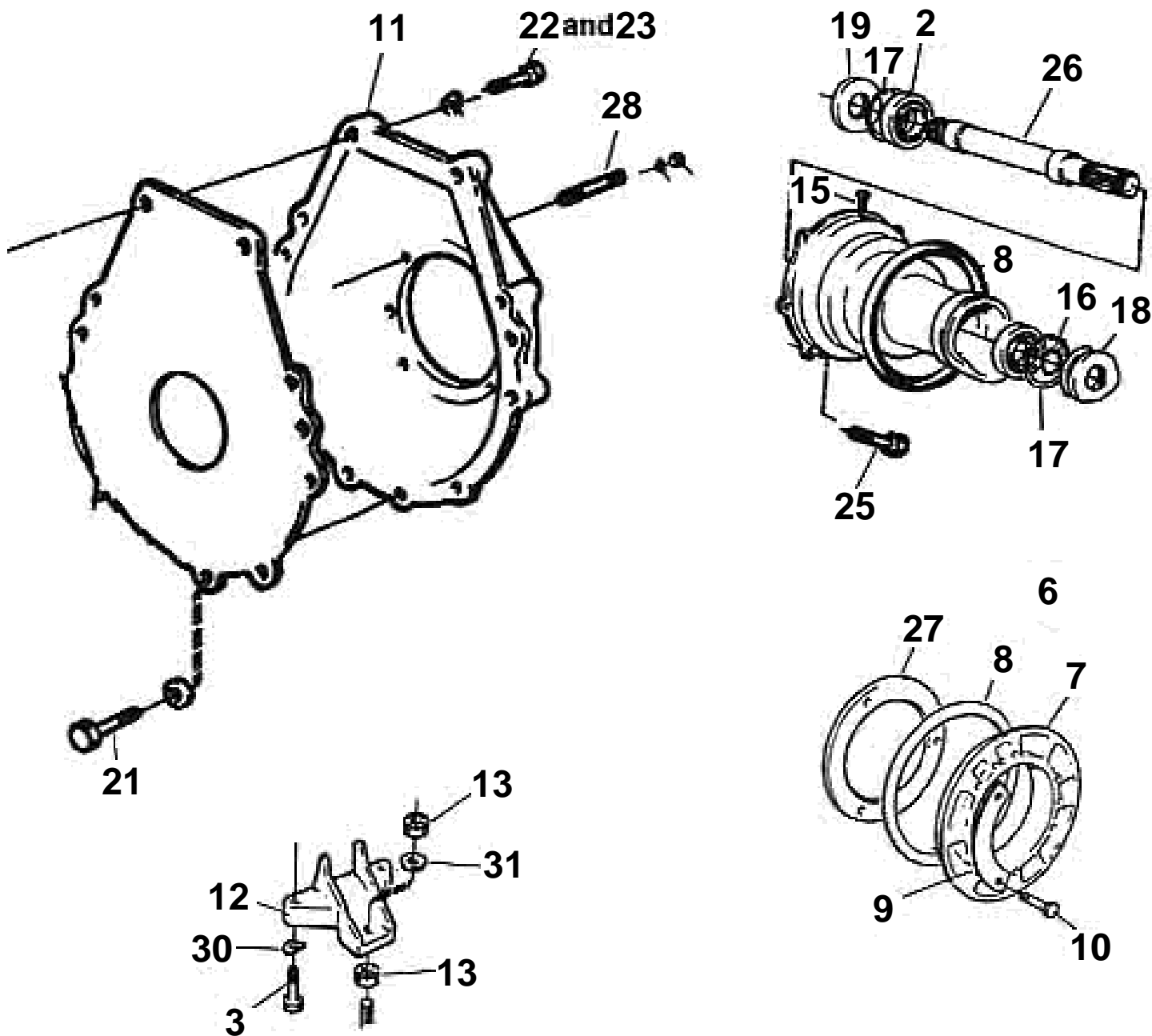


DP - FLYWHEEL CASING, PRIMARY SHAFT AND CLAMPING RING KIT FL & Fi  
MODE



**DP - FLYWHEEL CASING, PRIMARY SHAFT AND CLAMPING RING KIT FL & Fi  
MODE**

REF	PART NO.	QTY	DESCRIPTION
1	839482	1	Intermediate section
2	3851019	1	Ball bearing, Primary shaft
3	3852566	2	Screw, Front Engine Mount
4	940299	1	Plug, Front Engine
5		1	Plastic
6	854315	1	Clamping ring kit
7	854103	1	· Clamping ring, Transom Mount
8	804190	2	· Rubber ring
9	806624	3	· Striker plate, Clamp ring
10	191844	6	· Screw
11	3851289	1	Housing
12	3853805	2	Rubber cushion
13	3852021	6	Nut, Forward Mount Bracket
14	3852065	2	Nut, Ground stud, flywheel hsg
15	804262	1	Plug, Bearing Housing
16	914462	1	Lock ring, Primary shaft
17	914533	2	Snap ring, Primary shaft
18	958859	1	Sealing ring, Primary shaft
19	958860	1	Sealing ring, Primary shaft
20	3852701	2	Screw, Forward Mount Bracket
21	3853398	2	Screw, Flywheel cover
22	3853558	2	Screw, Flywheel Hsg. to Engine
23	3853626	2	Screw, Flywheel Hsg. to Engine
24	3853626	4	Screw, Forward Mount Bracket
	3853626	6	Screw, Bearing hsg. to flywheel
26	873013	1	Primary shaft
27	3851290	1	Spacer, Flywheel Hsg. to Bearing Hsg
28	3852754	2	Stud, Flywheel Hsg. to Engine Ground
29	3852058	2	Washer, Ground stud
30	3852428	2	Washer, Forward Mount, Lower
31	3852433	2	Washer, Forward Mount, Upper
32	3852002	2	Lock washer, Ground stud
33	3852090	2	Lock washer, Forward Mount