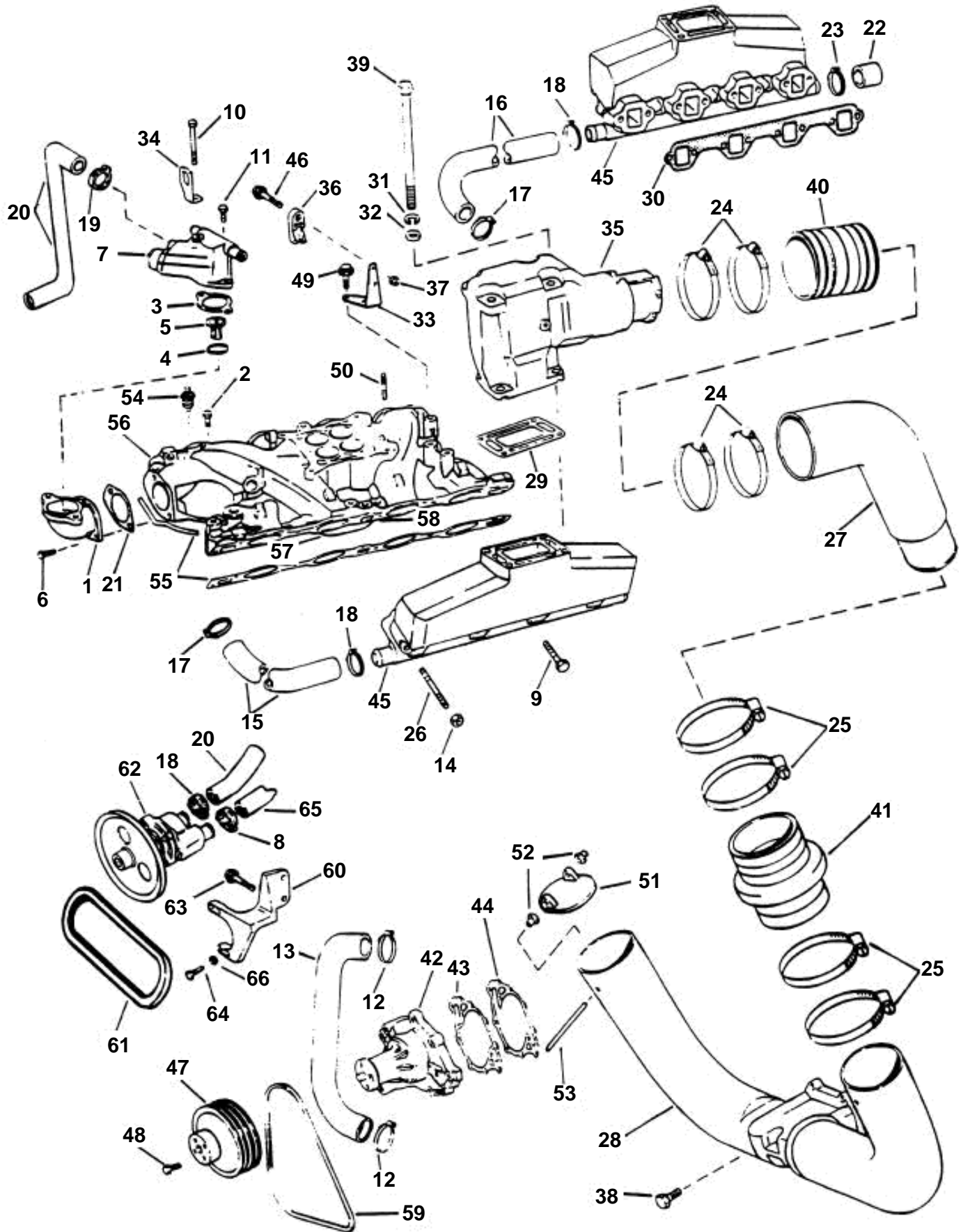


# INTAKE MANIFOLD, EXHAUST & COOLING



# INTAKE MANIFOLD, EXHAUST & COOLING

REF	PART NO.	QTY	DESCRIPTION	NOTES
1	3853245	1	Adapter, Thermostat hsg	
2	3853036	14	Screw, Intake manifold	
3	3852111	1	Gasket, Therm. hsg. to adapter	
4	3852071	1	O-ring, Thermostat	
5	3852216	1	Thermostat	
6	3853471	2	Screw, Adapter	
7	3850360	1	Thermostat housing, Thermostat	
8	3850422	1	Clamp, Water hose inlet	
9	3853155	6	Screw, Manifold to engine	
10	3853391	1	Screw, Therm. hsg., long	
11	3853401	1	Screw, Therm. hsg., short	
12	3852098	2	Clamp, Therm. hsg	
13	3852300	1	Hose, Therm. hsg. to pump	
14	3853404	10	Lock nut, Exhaust manifold	
15	3853633	1	Hose, Therm. hsg. to manifold, port	
16	3853420	1	Hose, Therm. hsg. to manifold, stbd	
17	3853780	2	Clamp, Therm. hsg	
18	3852602	2	Clamp, Exhaust manifold	
19	3852602	1	Clamp, Thermostat inlet	
20	3852287	1	Hose, Pump to thermostat	
21	3852456	1	Gasket, Adapter to intake	
22	3852476	2	Cap, Manifold	
23	3852602	2	Clamp, Manifold cap	
24	3853860	8	Clamp, Exhaust pipe	
25	3852604	8	Clamp, Exhaust pipe	
26	3853434	10	Stud, Manifold	
27	3853384	2	Exhaust pipe, SX ONLY	
	3853386	2	Exhaust pipe, SX ONLY	
28	3850794	1	Exhaust pipe	
29	3850496	2	Gasket, Elbow to manifold	
30	3852455	2	Gasket, Manifold to engine	
31	3852002	8	Lock washer, Elbow to manifold	
32	3852058	8	Washer, Exhaust elbow	
33	3850223	1	Bracket, Throttle anchor	5.0 2V models
	3850224	1	Bracket, Throttle anchor	5.8 4V models
34	3852649	1	Bracket	
35	3850456	2	Riser	
36	3850266	1	Anchorage, Throttle cable	
37	3852118	1	Nut, Throttle anchor	
38	3852898	4	Screw, Pipe to gimbal	
39	3852830	8	Screw, Elbow to manifold	
40	3852696	2	Exhaust hose, Manifold to pipe	
41	3852741	2	Hose, Upper pipe to lower	
42	3853796	1	Coolant pump	
43	3850596	1	Gasket, Water pump plate	
44	3852824	1	Gasket, Water pump to engine	
45	3852347	2	Exhaust pipe, Exhaust	
46	3852048	1	Screw, Throttle anchor	
47	3854187	1	Pulley, Water pump	
48	3853390	4	Screw, Water pump pulley	
49	3853428	2	Screw, Throttle bracket	
50	3853074	4	Stud, Intake manifold	5.0 2V models
	3853100	4	Stud, Intake manifold	5.8 4V models
51	3853864	2	Seal	
52	3853566	4	Bushing, Pin	
53	3852753	2	Pin, Exhaust seal	
54	3853787	1	Temperature sensor, Water temp	5.0 2V models
	3852029	1	Sender, Water temp	5.8 4V models
	828258	1	Temperature sensor, Water temp., Dual station	
55	3853912	1	Gasket kit, Intake	5.0 2V models
	3853913	1	Gasket kit, Intake	5.8 4V models
56	3853910	1	Inlet pipe	5.0 2V models
	3853911	1	Manifold	5.8 4V models
57	3854394	1	Baffle, Intake manifold	5.0 2V models

7748030 - - 0-0007

GR999507

Upd: 22 NOV 2005

MD 5.0 FL, 5.8 FL

**VOLVO**  
**PENTA**

