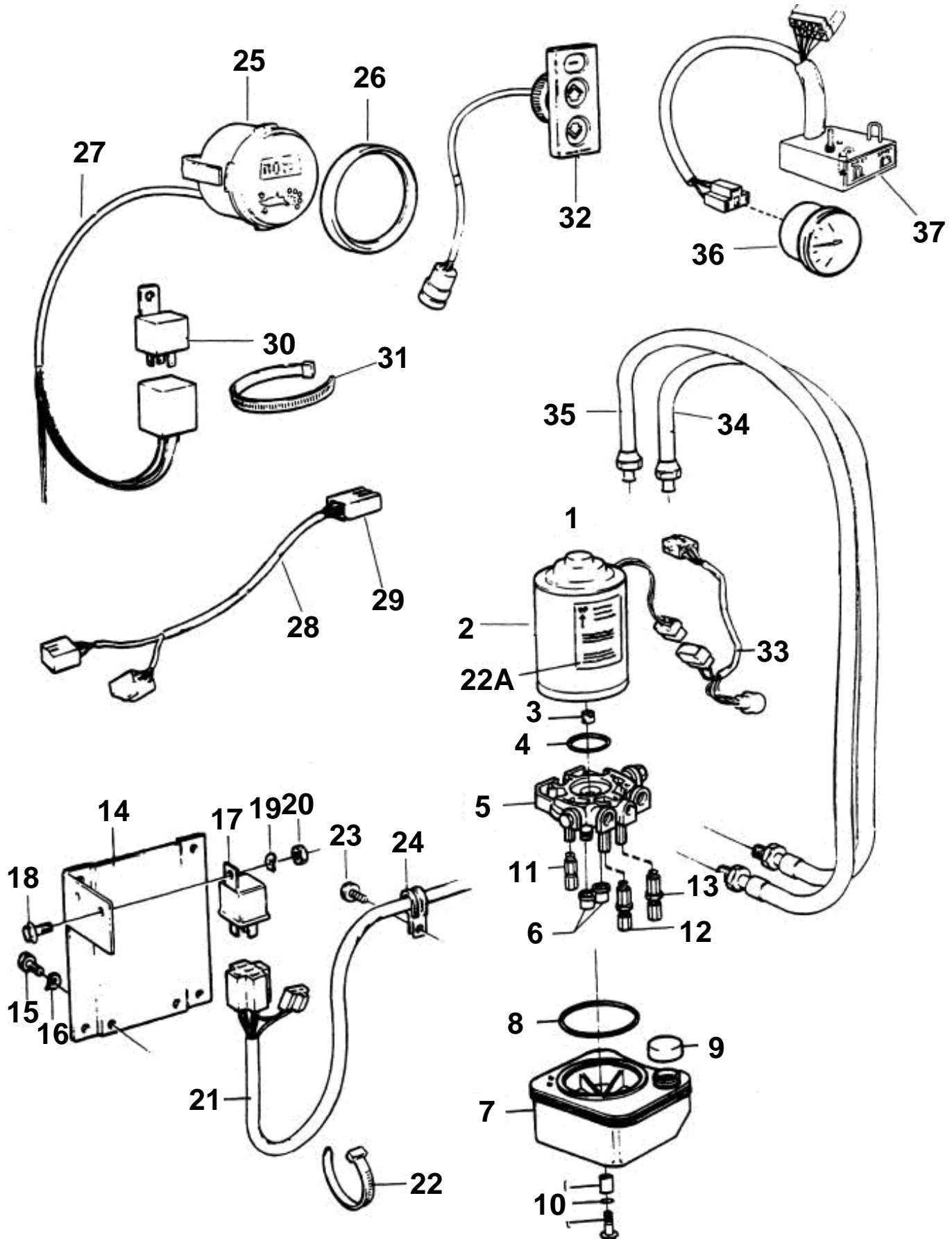


# DP - HYDRAULIC PUMP AND TRIM INSTRUMENT AND INSTALLATION COMPONENTS



# DP - HYDRAULIC PUMP AND TRIM INSTRUMENT AND INSTALLATION COMPONENTS

REF	PART NO.	QTY	DESCRIPTION	NOTES
1	873051	1	Hydraulic pump kit	
2	854525	1	• Engine	
3	854526	1	• • Clutch	
4	854527	1	• • O-ring	
5	854528	1	• Valve housing	
6	854530	2	• • Filter	
7	854531	1	• Reservoir	
8	854532	1	• • O-ring	
9	854533	1	• • Cover	
10	854534	1	• • Small parts kit	
11	854535	1	• Relief unit	
12	873057	1	• High pressure unit	
13	854537	1	• Low pressure unit	
14	854438	1	• Bracket	
15	970945	2	• Screw	
16	941908	2	• Spring washer	
17	854357	2	• Relay	
18	948663	2	• Screw	
19	941905	2	• Spring washer	
20	955780	2	• Nut	
21		X		
22	948210	1	• Strip clamp	
22a	853097	1	• Sign	
23	952630	4	• Clamp	
24	955138	4	• Screw	
25	872498	1	Trimmer	
26	858643	1	Front ring	
27	856821	1	Cable kit	
28	853066	1	Cable trunk	For dual station
29		X		
30	872300	2	Relay	
31	949666	X	Strip clamp	
32	853846	1	Control panel	
33	853032	1	Cable trunk	
	948294	X	• Receptacle housing	
	965822	X	• Cable terminal	
	853498	X	• Receptacle housing	
	853521	X	• Cable terminal	
34	873228	1	Hydraulic hose	
35	873229	1	Hydraulic hose	
36	3857449	1	Distributor	
37	873226	1	Control unit	